

Model CV-300B Grooved End Swing Check Valves

IMPORTANT

Refer to Technical Data Sheet TFP2300 for warnings pertaining to regulatory and health information.

Scan the QR code or enter the URL in a web browser to access the most up-to-date electronic version of this document. Data rates may apply.



docs.jci.com/tycofire/tfp1552

General Description

The TYCO Model CV-300B Grooved End Swing Check Valves are compact and rugged swing-type units that allow water flow in one direction and prevent flow in the opposite direction. A resilient elastomer seal facing on the spring-loaded clapper ensures a leak-tight seal and non-sticking operation. The Model CV-300B Check Valves are designed to minimize water hammer caused by flow reversal.

The Model CV-300B Grooved End Swing Check Valves are furnished with grooved ends and can be installed using GRINNELL Grooved Couplings or GRINNELL Figure 71 Flange Adapters. These valves can be installed horizontally, or vertically with the flow in the upward direction (Ref. Figure 2).

NOTICE

The TYCO Model CV-300B Grooved End Swing Check Valves described herein must be installed and maintained in compliance with this document and with the applicable standards

of the NATIONAL FIRE PROTECTION ASSOCIATION (NFPA), in addition to the standards of any authorities having jurisdiction. Failure to do so may impair the performance of these devices.

Never remove any piping component nor correct or modify any piping deficiencies without first de-pressurizing and draining the system. Failure to do so may result in serious personal injury, property damage, and/or impaired device performance.

The owner is responsible for maintaining their fire protection system and devices in proper operating condition. Contact the installing contractor or product manufacturer with any questions.

Technical Data

Approvals

UL and ULC Listed
FM Approved

Sizes

4 in. (DN100)

Maximum Working Pressure

300 psi (20,7 bar)

Valve Assembly Finish

Red, non-lead paint

Weight

19.84 lbs (9 kg)

Installation

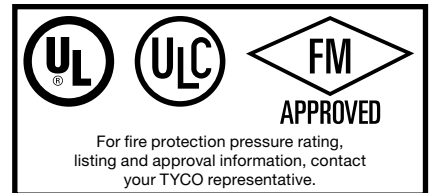
The Model CV-300B Grooved End Swing Check Valves are to be installed in accordance with this section:

Step 1. The arrow cast on the body must point in the direction of the flow (Ref. Figure 2):

Vertical installation - orient the valve with the flow arrow pointed up

Horizontal installation - orient the valve with the large boss facing either up or down, and the flow arrow pointed left or right

Step 2. Grooved end pipe couplings used with the Model CV-300B Grooved End Swing Check Valves must be installed in accordance with manufac-



turer's instructions.

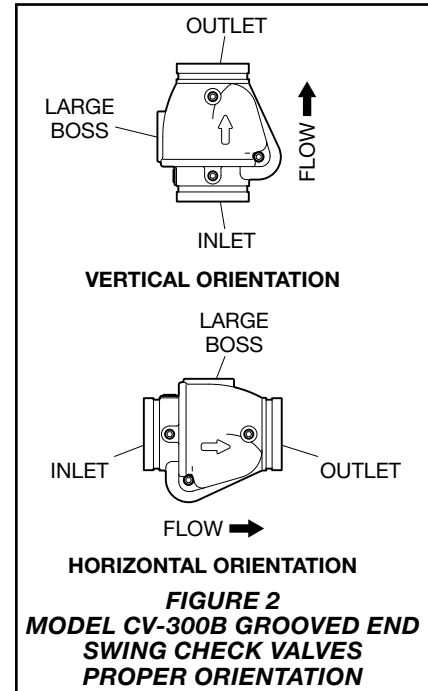
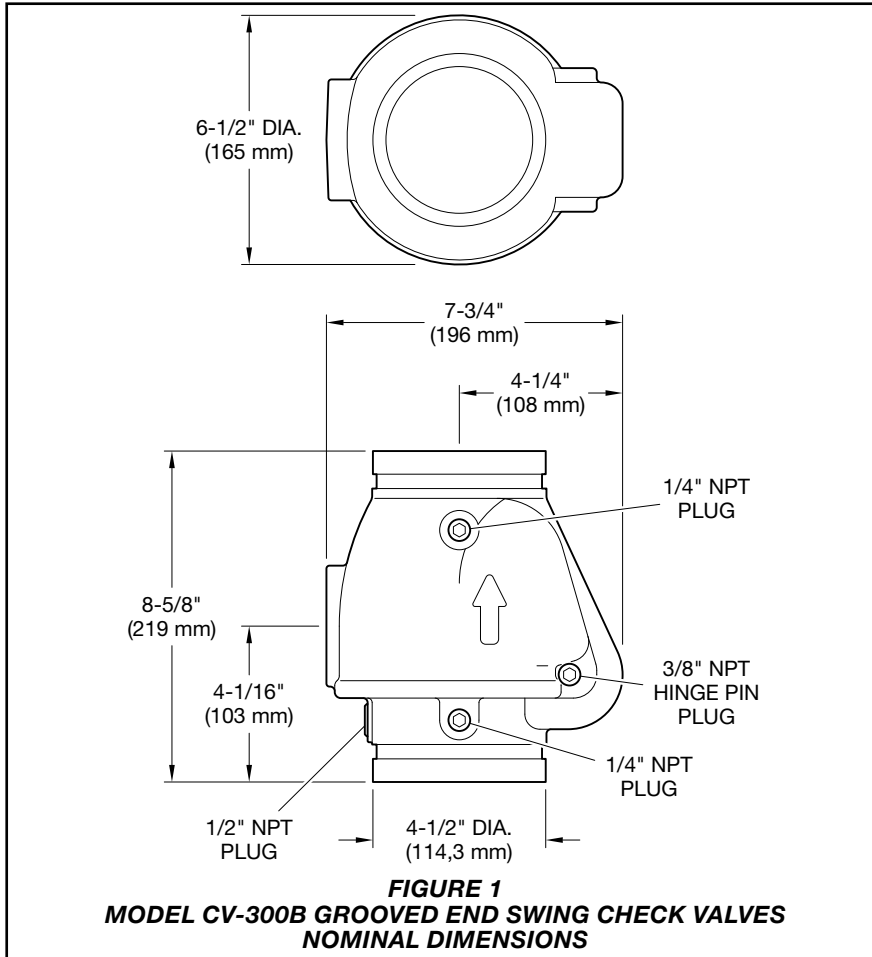
Note: Valves should be installed a reasonable distance downstream from pumps, elbows, expanders, reducers, or other similar devices to extend the valve life. Standard piping practices call for a minimum of five (5) times the pipe diameter for general use.

Care and Maintenance

The TYCO Model CV-300B Grooved End Swing Check Valves must be maintained and serviced in accordance with this section.

Before closing a fire protection system main control valve for maintenance work on the fire protection system that it controls, obtain permission to shut down the affected fire protection system from the proper authorities and notify all personnel who may be affected by this decision.

After placing a fire protection system in service, notify the proper authorities and advise those responsible for monitoring proprietary and/or central station alarms.



The owner is responsible for the inspection, testing, and maintenance of their fire protection system and devices in compliance with this document, as well as with the applicable standards of the NATIONAL FIRE PROTECTION ASSOCIATION (e.g., NFPA 25), in addition to the standards of any authority having jurisdiction. Contact the installing contractor or product manufacturer with any questions. Any impairments must be immediately corrected.

Automatic sprinkler systems are recommended to be inspected, tested, and maintained by a qualified Inspection Service in accordance with local requirements and/or national codes.

Limited Warranty

For warranty terms and conditions, visit www.tyco-fire.com.

Ordering Procedure

Contact your local distributor for availability. When placing an order, indicate the full product name and Part Number (P/N).

Model CV-300B Check Valve
Specify: Model CV-300B Grooved End Swing Check Valve, 4 in. (DN100), P/N 59-530-0-040

