

## Type A36AHA 4-Stage Computer Environmental Temperature Control

### Application

The A36AHA 4-stage temperature control operates electrically controlled heating and cooling equipment to maintain desired temperatures in a computer room.

**All Series A36 controls are designed for use *only* as operating controls. Where an operating control failure would result in personal injury and/or loss of property, it is the responsibility of the installer to add devices (safety, limit controls) or systems (alarm, supervisory systems) that protect against, or warn of, control failure.**

### Features

- Totally enclosed contact units.
- Accurate repeat performance.

- Rigid, reinforced frame.
- Cushion mounting.
- Ambient compensated for variations in ambient temperatures.

### General Description

The A36AHA control has an open construction (less enclosure) design for panel mounting. The contact units have color coded screw type terminals. The SPDT contacts of each stage are actuated from a single liquid filled, remote sensing element.

The main operating arm is counterbalanced and spring loaded for low pivot point stress and minimal wear.

The A36 has a rugged steel frame and the mounting holes are fitted with shock absorbing rubber grommets.



**Fig. 1 -- Type A36AHA 4-Stage Temperature Control.**

A single calibrated adjusting dial permits moving all settings up or down within the adjustment range. Between stage adjustments remain constant for uniform temperature control, regardless of the set point.

### Specifications

<b>Product Number</b>	<b>A36AHA-50</b>	18" Capillary Tube
	<b>A36AHA-52</b>	6" Capillary Tube
<b>Adjustment Range</b>	55 to 95°F (13 to 35°C)	
<b>Contact Units</b>	4 SPDT, Totally Enclosed Snap-Acting Pennswitches	
<b>Differential</b>	<b>Each Stage</b>	2F° (1.1C°)
	<b>Between Stages</b>	1.5F° (0.8C°) on Increasing Temperature
<b>Finish</b>	Zinc Plated with Dichromate Dip	
<b>Ambient Temperature at the Control</b>	0 to 140°F (-18 to 60°C)	
<b>Maximum Allowable Shipping Temperature</b>	140°F (60°C)	
<b>Material</b>	<b>Frame</b>	.062" (1.6 mm) Cold Rolled Steel
	<b>Baseplate</b>	.070" (1.8 mm) Steel
<b>Number of Stages</b>	4	
<b>Sensing Element</b>	Copper Capillary with 12" Nylon Armor at Control End, Bulb 3/8" x 5 1/4" with Support Tube	
<b>Shipping Weight</b>	<b>Individual Pack</b>	1.7 lb (0.8 kg)
	<b>Overpack of 10 Units</b>	19.0 lb (8.6 kg)

### Accessories

#### Bulb Well

For bulb well, order Part Number WEL 14A-603R.

#### Enclosure Only

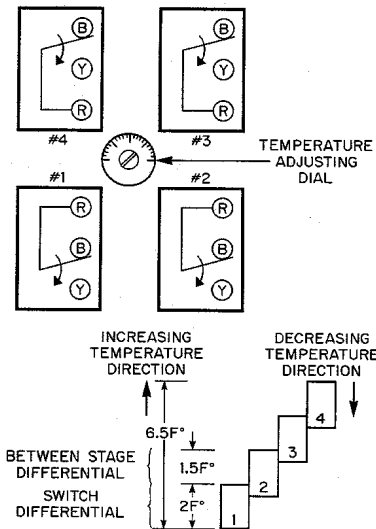
Part Number CSE57A-600 is available for field installation.

#### Packing Nut

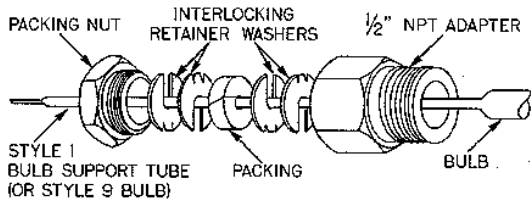
Part Number FTG13A-600R packing nut assembly is available for direct immersion application.

### Repairs and Replacement

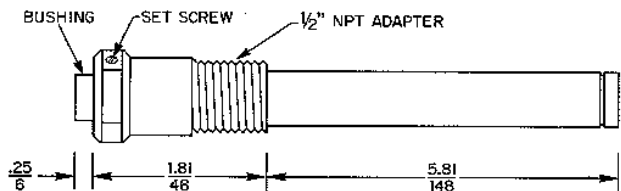
Field repairs must not be made. For a replacement control, contact the nearest Johnson Controls wholesaler.



**Fig. 2 — Terminal identification switch program. Switch differential is 2F°, between stage differential is 1.5F° on increasing temperature.**



**Fig. 3 — Part Number FTG13A-600R Packing Nut Assembly for direct immersion application.**



**Fig. 4 — Part Number WEL14A-603R Bulb Well.**

**Electrical Rating (Each Switch)**

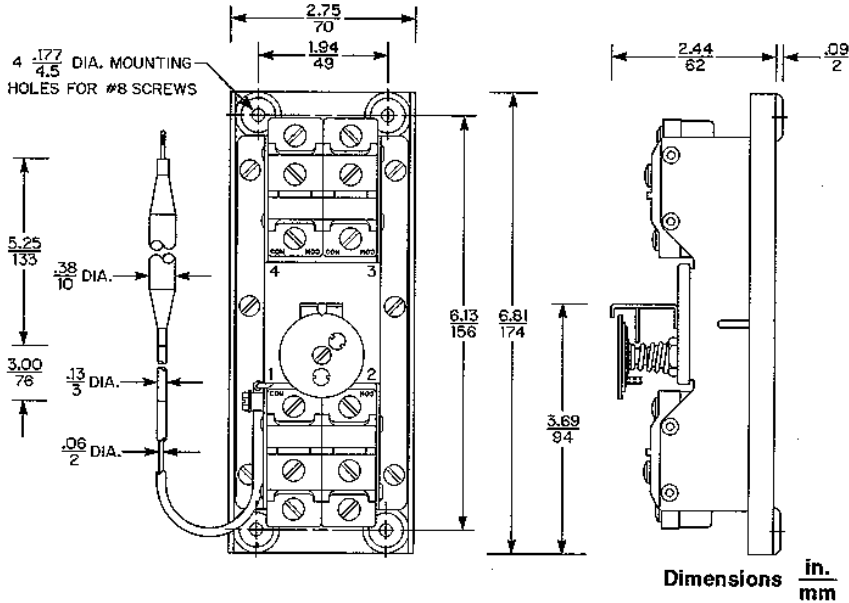
Volts AC	120	208	240	277
Full Load Amp	10.0	6.9	5.0	—
Locked Rotor Amp	60.0	41.4	30.0	—
Non-Inductive Amp	16.0	9.6	8.0	7.2

Pilot Duty — 125 VA, 120/277 VAC

**Ordering information**

To order, specify:

1. Complete Product Number.
2. Part Number of bulb well, and the enclosure or closed tank adapter, when required.



Dimensions **in.**  
**mm**

*Performance specifications appearing herein are nominal and are subject to accepted manufacturing tolerances and application variables.*

UL Guide No. XAPX2  
File E6688



[www.penncontrols.com](http://www.penncontrols.com)

© Johnson Controls and PENN are registered trademarks of Johnson Controls in the United States of America and/or other countries. All other trademarks used herein are the property of their respective owners. © Copyright 2018 by Johnson Controls. All rights reserved.