

## Description

MX Relay IAMs facilitate FACUs to control a remotely located Form C contact using MX Digital addressable communications for both data and module power. Typical applications include:

- Switching local power for control functions such as elevator capture
  - Control of HVAC components, pressurization fans, and dampers
- Relay status is also communicated. Only one device address is required.

## Features

- Relay individual addressable module (IAM):
  - MX Digital addressable control for use with Autocall® models 2050, 2250, 4007ES, 4010ES, and 4100ES fire alarm control units (FACUs) with MX communications
  - Choice of hard (DIP switch) or soft (Digital Enrollment) addressing
  - A single addressable point provides control and status tracking of a Form C contact
  - Low power latching relay design allows MX Digital communications to supply both data and module power
- Compact, sealed construction:
  - Enclosed design that minimizes dust infiltration
  - Mounts in standard 4 in. (102 mm) square electrical box, with an optional adapter bracket that is available to mount in a 4 11/16 in. (119 mm) square electrical box
  - Screw terminals for wiring connections
  - Visible LED flashes to indicate communications
  - Optional covers are available so that you can view the LED after installation.
- UL listed to Standard 864

## Product selection

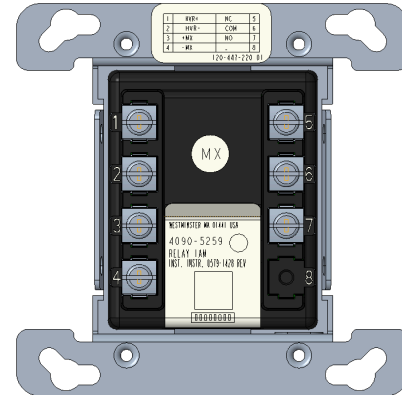
**Table 1: Product selection**

SKU	Description
A4090-5259	MX Relay IAM

**Table 2: Optional adapter and trim plates**

SKU	Description	
A4090-9813	Adapter plate to fit 4 11/16 in. (119 mm) square electrical box	
A4090-9801	For semi-flush mounted box	Trim Plate, galvanized steel, with LED viewing window. Mounting screws are included.
A4090-9802	For surface mounted box	

**Figure 1: A4090-5259 MX Relay IAM package**



**Note:** Image shows approximately half actual size.

## Specifications

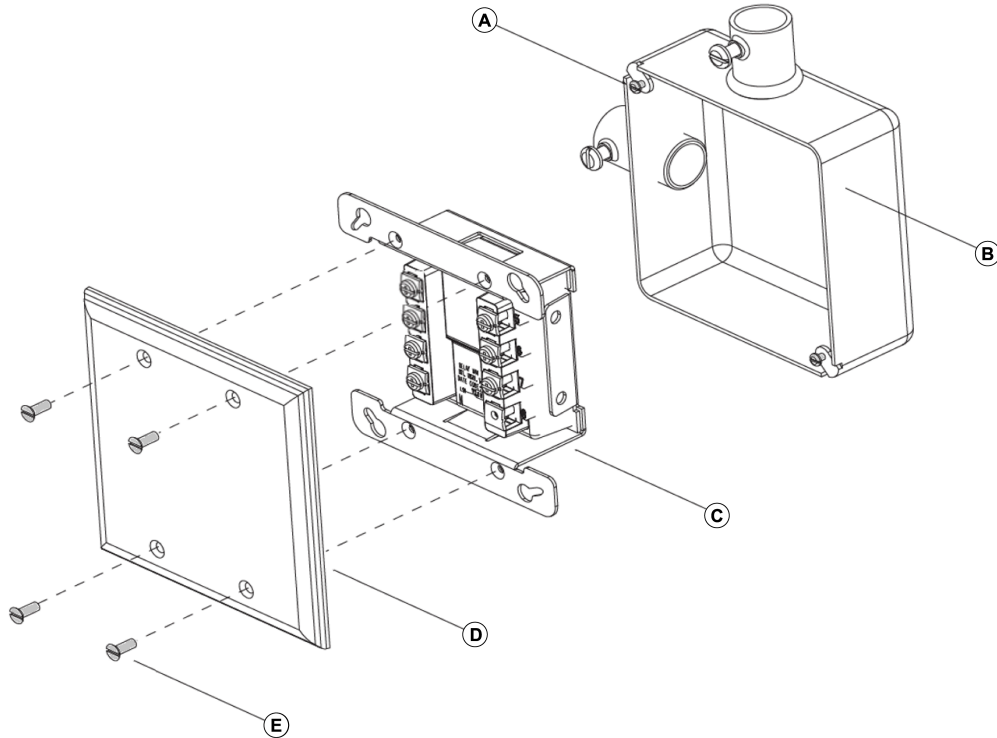
**Table 3: Specifications**

Specification	Rating	
Communications	MX Digital communications, one address for each device	
Relay IAM Power	Supplied by MX Digital communications	
Contact ratings. Not rated for incandescent switching		
Type	Form C, SPDT	
Power-limited	2 A at 24 VDC, non-inductive (dry contacts)	From listed fire alarm supply
Standby / Alarm current	Standby 0.043 mA / Alarm 4.17 mA	
Wire connections	Screw terminals for input / output wiring, 18 AWG to 14 AWG wire (0.82 mm <sup>2</sup> to 2.08 mm <sup>2</sup> )	
MX digital communications wiring reference	Up to 6560 ft (2000 m) from FACU Compatible with Autocall, A2081-9044 Overvoltage Protectors	
Dimensions, H x W x D	4 1/8 in. x 4 1/8 in. x 1 3/8 in. (105 mm x 105 mm x 35 mm)	
Housing material	Black thermoplastic	
Mounting plate	Sheet metal, galvanized	
Temperature range	32°F to 120°F (0°C to 49°C), intended for indoor operation	
Humidity range	Up to 93% RH at 90°F (32°C)	
Installation instructions	579-1428AC	

\* Additional listings may be applicable; contact your local product supplier for the latest status.

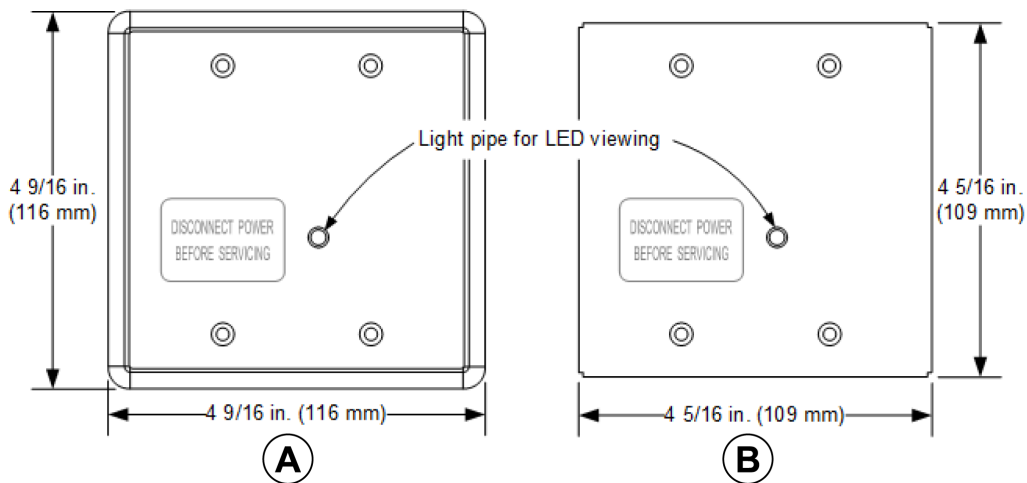
**Relay IAM mounting information**

Figure 2: A4090-5259 Relay IAM mounting information



Callout	Description
A	# 8/32 panhead screw, not supplied.
B	Back box, UL listed, 4 in. square, 2 in. deep, not supplied
C	Relay IAM assembly
D	2-gang back box cover, UL listed, not supplied
E	# 6/32 flathead screw, quantity of 4, not supplied

Figure 3: Optional trim plates for visible LED



Callout	Description
A	A4090-9801 Trim plate for semi-flush mounted box
B	A4090-9802 Trim plate for surface mounted box