

TrueAlert Multi-Candela Notification Appliances

SmartSync Operation Audible/Visible Notification with Horn and Synchronized Flash, Non-Addressable

Features

Audible/visible (A/V) notification appliances with efficient electronic horn and high output xenon strobe, available for wall or ceiling mount:

- Operation is compatible with ADA requirements. See [Installation reference, surface or semi-flush mounting](#).
- Rugged, high impact, flame retardant thermoplastic housings are available in red or white with clear lens.

Operates over a two-wire SmartSync circuit to provide:

- Horns that are controlled separately from strobes on the same two-wire circuit.
- On-until-silenced and on-until-reset operation on the same two-wire pair.
- SmartSync horn activation of Temporal pattern, March Time pattern at 60 BPM, or on continuously.
- Strobe appliances on the same circuit that operate at a synchronized 1 Hz flash rate.
- Class B operation requires connection to a compatible SmartSync NAC or to SmartSync Control Module (SCM) A4905-9938.
- Class A operation when connected to the A4905-9938 SCM or compatible fire alarm control panel NACs.

Wall mount A/Vs features:

- You can access wiring terminals from the front of the housing, they give easy access for installation, inspection, and testing.
- Covers are available separately to convert housing color.
- A UL Listed sound damper is available for locations that require attenuation of 5 to 6 dBA, such as stairwells, small rooms, and highly reverberant areas.

Optional adapters and wire guards:

- Wall mount A/V adapters are available to cover surface mounted electrical boxes and to adapt to Autocall 2975-9145 boxes.
- UL listed red wire guards are available for wall or ceiling mount A/Vs.

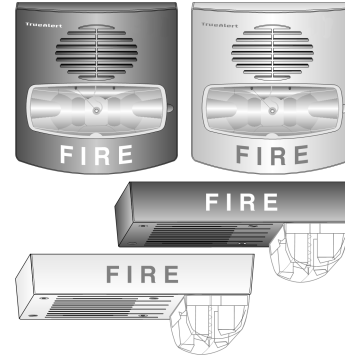
Visible notification appliance, strobe type:

- 24 VDC xenon strobe. You can select the intensity as 15, 30, 75, or 110 candela with visible selection jumper secured behind the strobe housing.
- UL listed to Standard 1971.
- Regulated circuit design ensures consistent flash output and controlled inrush current.

Audible notification appliance, horn type:

- Low current, 24 VDC electronic horn with harmonically rich sound output suitable for either steady or coded operation, Temporal or 60 BPM March Time pattern.
- UL listed to Standard 464.

Figure 1: Wall and ceiling mount A/Vs



Description

Multi-Candela TrueAlert A/Vs with horn and synchronized strobe

These A/Vs provide convenient installation to standard electrical boxes. The enclosure designs are both impact and vandal resistant and provide a convenient strobe intensity selection. As you can select each model for strobe intensity output, on-site model inventory is minimized and changes encountered during construction are easily accommodated.

Wall mount

A/V housings are a one-piece assembly, including the lens, that mounts to a single or double gang, or a 4 in. square standard electrical box. You can quickly remove the cover with a tool. Covers are available separately for color conversion.

Ceiling mount

A/Vs install with standard 4 in. electrical boxes. Model number determines color choice.

Strobe intensity selection

During installation, a selection plug at the back of the housing determines the required strobe intensity. An attached flag with black letters on a highly visible yellow background shows you the selected intensity at the side of the strobe lens.

Strobe application selection

Correct selection of visible notification is dependent on occupancy, location, local codes, and correct applications of the following:

- The National Fire Alarm Code (NFPA 72), ANSI A117.1
- The appropriate model building code: BOCA, ICBO, or SBCCI
- The application guidelines of the Americans with Disabilities Act (ADA)

* This product has been approved by the California State Fire Marshal (CSFM) pursuant to Section 13144.1 of the California Health and Safety Code. See CSFM Listings 7125-2269:0532 and 7125-2269:0527 for allowable values and/or conditions concerning material presented in this document. Additional listings may be applicable; contact your local product supplier for the latest status.

Synchronized strobes

When multiple strobes and their reflections are visible from one location, synchronized flashes reduce the probability of photo-sensitive reactions and the annoyance and possible distraction of random flashes. The multi-candela strobes of these A/Vs are synchronized by the controlling SmartSync operation NAC.

SmartSync two-wire control

In SmartSync operation mode, a two-wire circuit can activate both the horn and strobe on the same NAC and then enable the horn to be silenced while the strobe continues to flash. The horn operates as on-until-silenced while the strobe operation is on-until-reset.

SmartSync control sources:

- **4007ES Hybrid, 4010ES, and 4100ES Fire Alarm Control Panels.** Refer to individual product datasheets for more information.
- **4009 IDNet NAC Extender.** Refer to datasheet *AC4009-0002*.
- **SmartSync Control Module (SCM) A4905-9938.** Refer to datasheet *AC4905-0003*.

Additional SmartSync compatible notification appliances include separate horns and combination horn/strobe notification appliances.

Product selection

Table 1: Multi-candela A/Vs

SKU	Mounting	Housing color	FIRE letters	Description
A4906-9127	Wall	Red	White	Horn with multi-candela strobe. You can select the strobe intensity as 15, 30, 75, or 110 candela. It operates with SmartSync two-wire control.
A4906-9129		White	Red	
A4906-9128	Ceiling	Red	White	
A4906-9130		White	Red	

Table 2: Wall mount A/V accessories

SKU	Description	Dimensions, in. (mm)
A4905-9937	Red	H x W x D
A4905-9940	White Surface mount adapter skirt. Use to cover 1 1/2 in. (38 mm) deep surface mounted boxes.	5 3/8 x 5 1/4 x 1 5/8 (136 x 133 x 41) depth with strobe is 4 3/8 (111)
A4905-9931	Red adapter plate for mounting to 2975-9145 box. Typically for retrofit, you can mount it vertically or horizontally.	8 5/16 x 5 3/4 x 0.060 thick (211 x 146 x 1.5)
2975-9145	Red mounting box, requires Adapter Plate A4905-9931	7 7/8 x 5 1/8 x 2 3/4 D (200 x 130 x 70)
A4905-9838	Optional sound damper, package of 20, field installed adhesive backed horn output attenuator, reduces output 5 to 6 dBA Note: After sound damper installation, measure sound level to ensure compliance with applicable code requirements.	1 3/4 diameter (44.5) with 0.31 (8) sound opening

Table 3: SmartSync Control Module

SKU	Description	Dimensions, in. (mm)
A4905-9938	SmartSync control module with Class B or Class A output. It mounts in a 4 in. (102 mm) square box. Refer to datasheet <i>AC4905-0003</i> for details.	4 x 4 1/8 x 1 1/4 depth (102 x 105 x 32)

Table 4: Replacement Covers for Wall Mount A/Vs

SKU	Description	Dimensions, in. (mm)
A4905-9994	Red cover with white FIRE lettering	H x W x D
A4905-9995	White cover with red FIRE lettering	5 1/8 x 5 x 1 1/2 (130 x 127 x 38)

Table 5: Wire Guards and Ceiling Mount A/V Adapter

SKU	Description	Dimensions, in. (mm)
4905-9961. See note.	Wall mount red wire guard with mounting plate, compatible with semi-flush or surface mounted boxes	H x W x D 6 1/16 x 6 1/16 x 3 1/8 (154 x 154 x 79)
4905-9927. See note.	Red wire guard for mounting to flush mounted electrical box	8 1/2 x 6 1/8 x 3 (216 x 156 x 76)
4905-9928 See note.	Ceiling mount Red adapter plate, required to mount guard to surface mounted electrical box	9 x 7 (229 x 178)
A4905-9916	Red Surface mount adapter box extension, use to cover 1 1/2 in. deep surface mounted boxes	4 3/4 x 6 7/8 x 1 1/2 deep (121 x 175 x 38)

Note: UL listed by Space Age Electronics Inc.

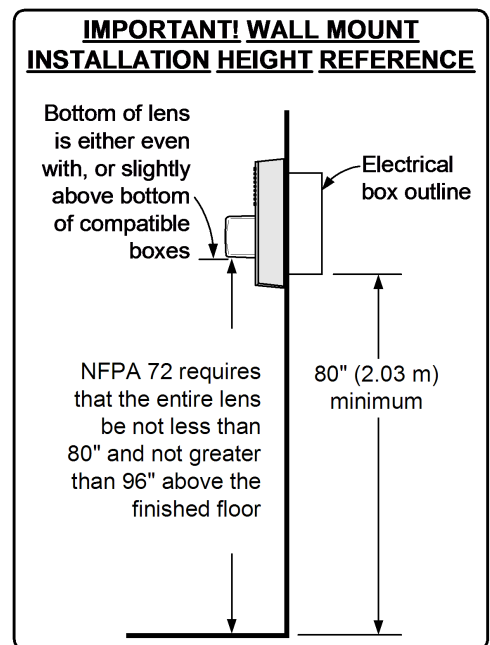
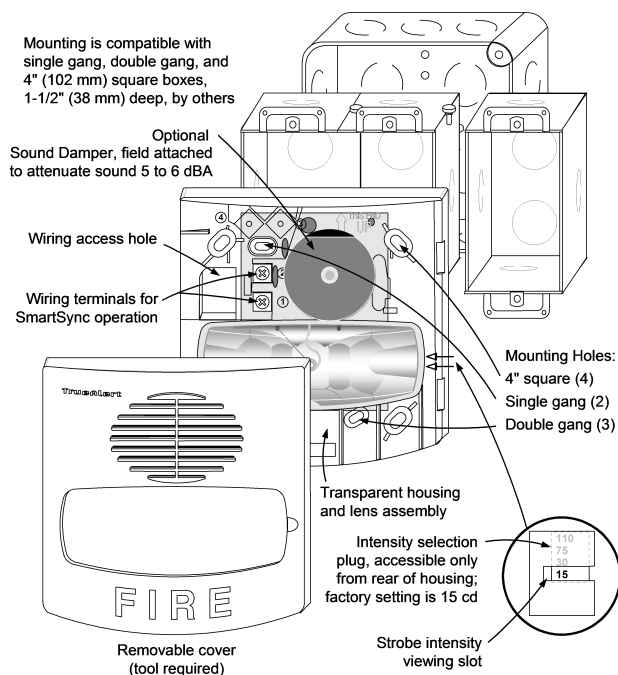
A/V Specifications

Table 6: Wall Mount or Ceiling Mount, Common Specifications

Specification		Rating						
Rated voltage range	UL listed rating	Regulated 24 DC. See note 1.						
	ULC listed rating	20 VDC to 30 VDC as in <i>ULC 5526-M878</i>						
Flash rate and synchronized NAC loading		1 Hz, with up to 35 synchronized strobes maximum for each NAC						
Environmental, temperature, and humidity		32° to 122° F (0° to 50° C). 10% to 93%, non-condensing at 100° F (38° C)						
Connections		Terminal blocks for 18 AWG to 12 AWG (0.82 mm ² to 3.31 mm ²). Two wires for each terminal for in/out wiring.						
Horn output characteristics		2,400 to 3,700 Hz sweep, modulated at 120 Hz rate						
Horn output ratings at 10 ft (3 m). See note 2.	Voltage	16 VDC		24 VDC		33 VDC		
	Sound Type. See note 2.	Steady	Coded	Steady	Coded	Steady	Coded	
	UL 464 Reverberant Chamber	86 dBA	82 dBA	88 dBA	84 dBA	90 dBA	86 dBA	
	Anechoic Chamber	92 dBA	91 dBA	94 dBA	95 dBA	96 dBA	96 dBA	
Wall Mount	Housing dimensions with lens		5 1/8 in. H x 5 in. W x 2 3/4 in. D (130 mm x 127 mm x 70 mm)					
	Maximum RMS current rating for each strobe setting. See note 3.		15 cd	30 cd	75 cd	110 cd		
	Reference RMS currents at other voltages	18 VDC	67 mA	103 mA	196 mA	253 mA		
		24 VDC	50 mA	77 mA	147 mA	190 mA		
Ceiling Mount	Housing dimensions with lens		L x W x D 4 3/4 in. x 6 7/8 in. x 2 5/8 in. (121 mm x 175 mm x 67 mm)					
	Maximum RMS current rating for each strobe setting. See note 3.		15 cd	30 cd	75 cd	110 cd		
	Reference RMS currents at other voltages	18 VDC	76 mA	117 mA	222 mA	284 mA		
		24 VDC	57 mA	88 mA	167 mA	213 mA		

- Note:**
1. Regulated 24 DC refers to the voltage range of 16 VDC to 33 VDC as in *UL Standard 1971, Signaling Devices for the Hearing Impaired*. This voltage range is the absolute operating range. Operation outside of this range may cause permanent damage to the appliance. 16 VDC is the lowest operating voltage that is allowed at the last appliance on the NAC under worst case conditions.
 2. Coded values are typical of the output measured with a Temporal coded or a March Time coded pulse and with a sound level meter reading on a fast setting. Under the same test conditions, coded horn output peak sound level readings are typically 4 dBA higher. Anechoic horn output ratings are typically more representative of actual installed sound output.
 3. Currents are with horn on steady. The maximum RMS current listed is the device nameplate rating. Strobe designs are constant wattage and the maximum RMS current rating occurs at the lowest allowable operating voltage. RMS is root mean square and refers to the effective value of a varying current waveform.

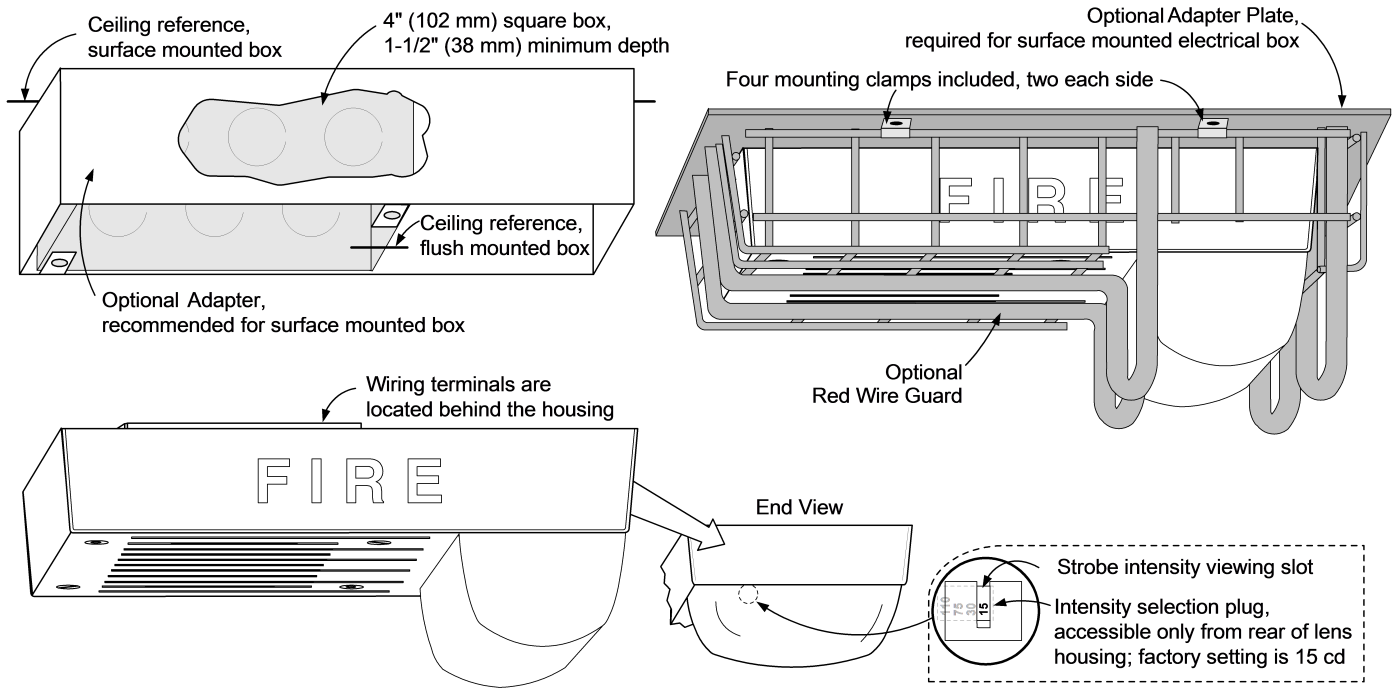
Installation reference, surface or semi-flush mounting



Ceiling mount A/V and guard installation reference

Figure 2 shows the installation of the ceiling mount A/V with the A4905-9916 Optional Adapter, 4905-9928 Optional Adapter Plate, and the 4905-9927 Wire Guard.

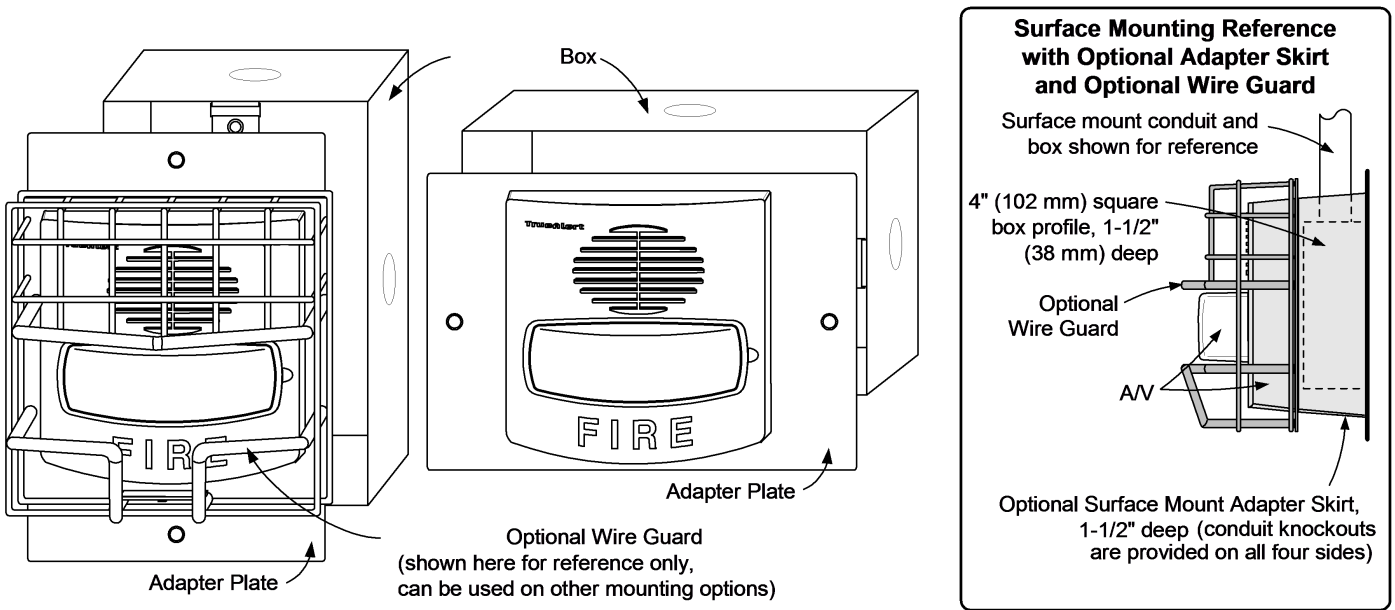
Figure 2: Ceiling Mount A/V and guard installation reference



Wall mount installation reference; Adapter Plate, Guard, and Adapter Skirt

The illustration shows the mounting of the A4905-9931 Adapter Plate, the 4905-9961 Optional Wire Guard, the 2975-9145 box and the Optional Surface mount adapter skirt, available in Red (A4905-9937) and White (A4905-9940).

Figure 3: Wall mount installation reference



All specifications and other information shown were current as of document revision and are subject to change without notice. Additional listings may be applicable, contact your local Autocall product supplier for the latest status. Listings and approvals under Tyco Fire & Security GmbH, and the product names listed in this material are marks or registered marks. Unauthorized use is strictly prohibited. NFPA 72 and National Fire Alarm Code are registered trademarks of the National Fire Protection Association (NFPA).