

## Features

Compatible with the following Autocall TrueAlarm sensors and bases, order separately:

- A4098-9733, Heat sensor
- A4098-9792, Standard sensor base
- A4098-9791, Relay control base
- A4098-9789, LED output base
- A4098-9793, A4098-9777 IDNet Isolator base
- A4098-9766, A4098-9767 IDNet Isolator2 base

## General features

- For ceiling or wall mounted sensor applications
- Combines accurate, individually addressable analog smoke and heat sensing with physical protection
- TrueAlarm analog sensing provides compensation for air flow restriction by providing maintained high sensitivity
- Photoelectric smoke sensitivity is selectable from 0.5% ft to 1.5% ft at the fire alarm control unit (FACU)
- The host FACU automatically compensates for sensitivity shifts caused by contamination and automatically reports dirty devices
- UL listed to Standard 521 (UQKE)
- ULC listed to Standard 530 (UQKEC)

## Mounting options

- Standard mounting of A4098-9846 is for use with flush mounted electrical boxes
- Extension box A4098-9847 is required for mounting to surface mounted electrical box

## Tamper resistant design

- Heavy duty steel construction, single wall
- Tamper resistant grill mounting screws

## Description

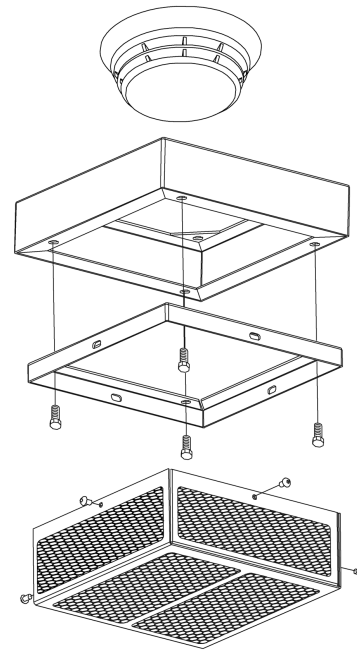
### Sensor Guard A4098-9846

Combines the sensitivity and maintained accuracy of Autocall TrueAlarm sensors with a rugged, tamper resistant enclosure. Typical applications are: correctional and detention facilities, mental hospitals, industrial areas, educational facilities, dormitories, and many other locations where the smoke sensor may be intentionally or accidentally subjected to abuse.

### Location Reference

With this combination, the sensor can be located directly in the ceiling of a detention cell or similar area and can provide accurate and quick sensing of smoke and heat conditions. Additionally, after removing the tamper resistant hardware, the sensor is readily accessible for cleaning when the TrueAlarm system automatically identifies the need for maintenance.

**Figure 1: A4098-9846 TrueAlarm Sensor Guard mounting reference, with optional surface mount extension**



## Specifications

**Table 1: General specifications**

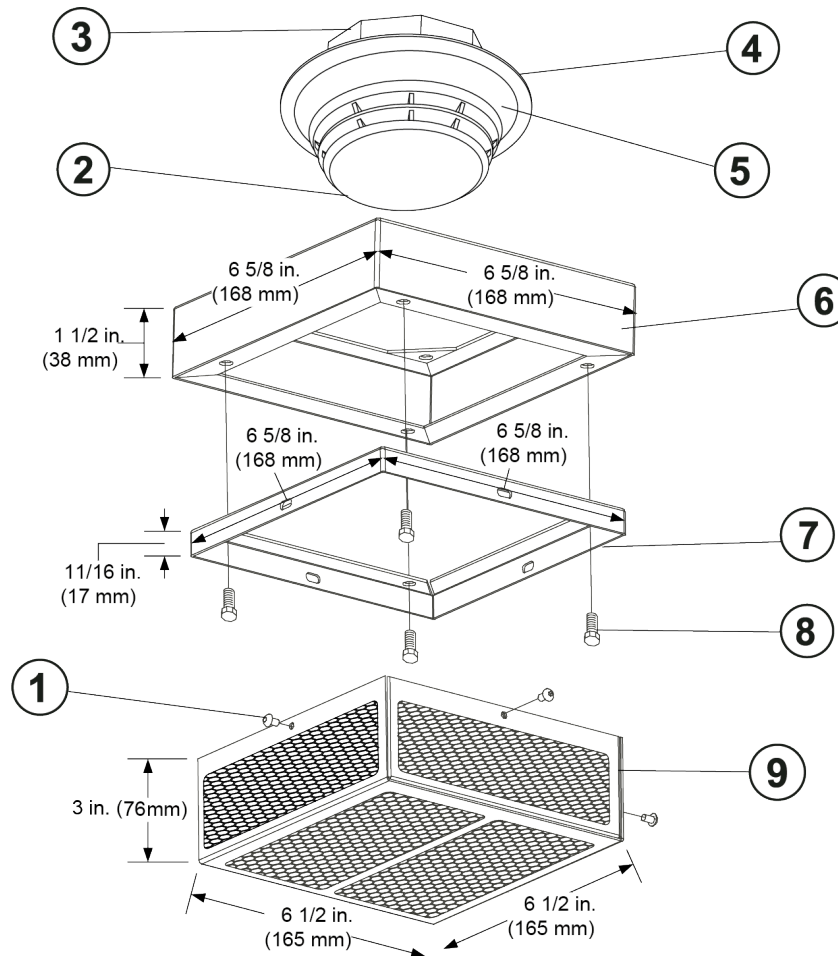
Specification	Details
Dimensions	6 1/2 in. (165 mm) x 6 1/2 in. (165 mm) x 3 in. (76 mm)
Grill material	Single wall construction, 22 gauge steel (0.025 in. thick, 0.64 mm)
Perforation pattern	1/4 in. (6.4 mm) hex holes staggered on 1/4 in. (6.4 mm) centers, reinforced at corners
Color or finish	Tan, baked enamel
Mounting frame hardware	Bolts, 1/4 in.
Grill mounting screws	Four tamper resistant screws, recessed hex head, supplied with guard

**Table 2: Additional reference**

Product	Data Sheet
TrueAlarm sensors and bases	AC4098-0019
TrueAlarm IDNet Isolator base	AC4098-0025
IDNet Isolator2 base	AC4098-0026

**Mounting information**

**Figure 2: Mounting reference**



**Table 3: Mounting information callouts and description**

Callout	Description
1	Four tamper resistant screws, supplied
2	A4098-9714 Photoelectric Sensor, A4098-9754 Multi-Sensor, or A4098-9733 Heat Sensor, ordered separately
3	Electrical box, 4 in. square or 4 in. octagonal (supplied by others), see <a href="#">Installation notes</a> for additional box information Seal box using 3M Weatherban #606 or equal
4	A4098-9832 Adapter Plate, ordered separately, required when electrical box is surface mounted
5	Sensor base A4098-9789, A4098-9791, A4098-9792, A4098-9777, A4098-9793, A4098-9766, or A4098-9767 ordered separately, see <a href="#">Installation notes</a> for additional information
6	A4098-9847 Extension Box, ordered separately, required when electrical box is surface mounted; bolts are supplied to fasten guard frame to Extension Box <b>Note:</b> Do not use with flush mounted box.
7	Sensor guard mounting frame, included with A4098-9846
8	Four 1/4 in. diameter mounting bolts; hardware for mounting frame to ceiling or wall is supplied by others, Extension Box includes hardware to attach the guard frame
9	Sensor guard cover, included with A4098-9846

**WARNING:** Per NFPA 72, the National Fire Alarm and Signaling Code, Section 5.4.3 (2007 Edition): "Where subject to mechanical damage, an initiating device shall be protected. A mechanical guard used to protect a smoke, heat, or radiant energy-sensing detector shall be listed for use with the detector." The sensor guard A4098-9846 is for use only with a Autocall A4098-9714 Photoelectric Sensor or a A4098-9754 Photo/Heat Sensor with a restricted sensitivity range of 0.5 to 1.5% per foot obscuration; or with a A4098-9733 Heat Sensorm and for use only with sensor bases A4098-9789, A4098-9791, A4098-9792, A4098-9766, A4098-9767, A4098-9777, or A4098-9793. This ensures the sensor activates in the UL listed obscuration range when mounted in the sensor guard.

**Note:** For proper performance, follow installation instructions and review sensor and guard locations carefully. Wall mounting may not be appropriate for institutional or detention applications.

**Important:** The presence of debris on the sensor guard grill significantly restricts airflow into the sensor. It is recommended that increased visual maintenance be performed to ensure proper operation.

### Installation notes

- For additional information, refer to *Autocall TrueAlarm sensors and bases, (579-116AC)*.
- Ceiling mount is shown above for reference, if appropriate, installations can be wall mounted.
- Flush mounted electrical box must be flush to surface or recessed no more than 1/4 in. (6.4 mm). Select box depth to accommodate selected base options.
- For surface electrical box mounting only, Extension Box A4098-9847 and Adapter Plate A4098-9832 are both required (ordered separately). Electrical box must be 1 1/2 in. deep.
- Installation to wall or ceiling requires solid anchoring, use 1/4 in. bolts (by others). Hardware is included with the A4098-9847 Extension Box for mounting the sensor guard frame.

**Note:** Do not use Extension Box A4098-9847 with flush mounted electrical boxes. This box does not properly position the sensor.