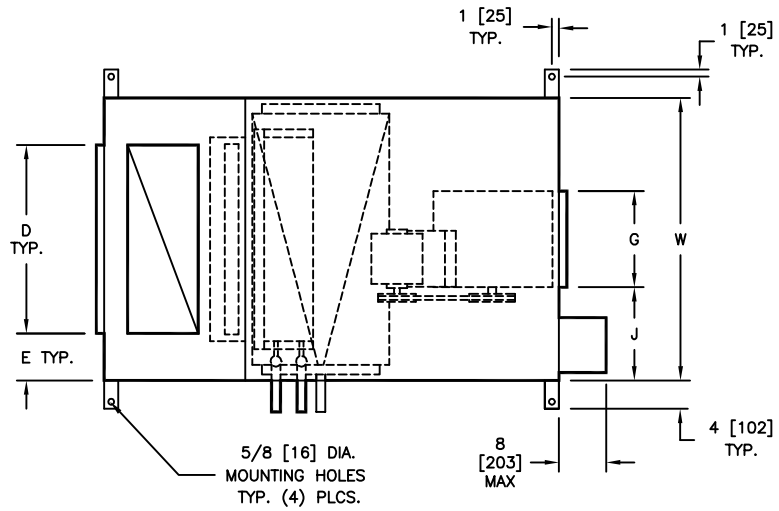
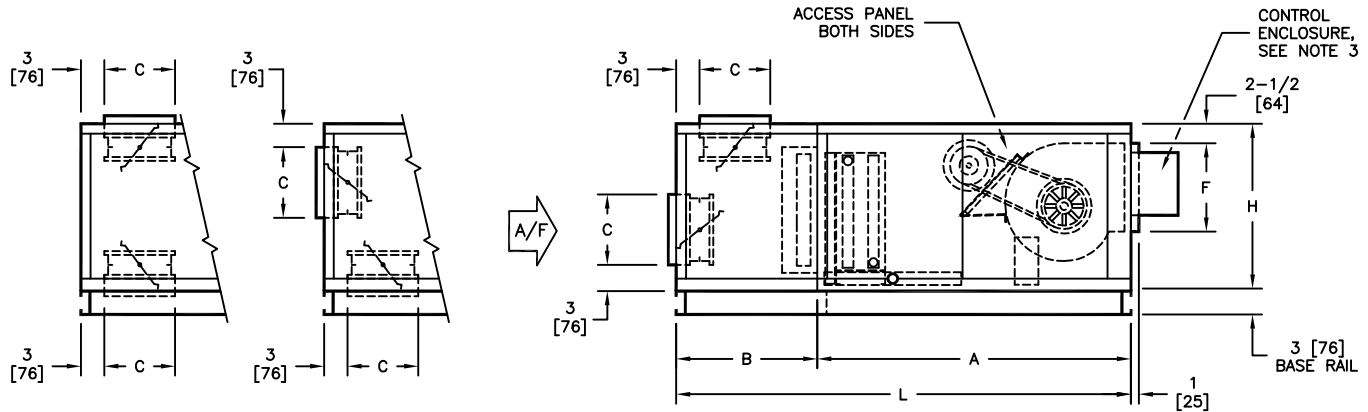


**NOTES:**

1. All dimensions are Inches [millimeters].  
All dimensions are  $\pm 1/4"$  [6mm]. Metric values are soft conversion.
2. Right hand unit shown, left hand unit opposite.  
Motor/drive location may be specified Left or Right Hand. Standard control enclosure location matches motor/drive position.
3. Provide sufficient clearance to permit access to controls and comply with applicable codes and ordinances.
4. See drawing FR-001 for filter rack details.
5. Outside and return air damper linkage is optional.
6. See coil connection detail drawings for coil connection sizes and locations.
7. High efficiency filter rack not available with mixing box.



**TOP VIEW**



**TOP/BTM INLET**

**REAR/BTM INLET**

**REAR/TOP INLET**

**SIDE VIEWS**

**DIMENSIONS**

SIZE	FAN SIZE	L	W	H	A	B	C	D	E	F	G	J
08	9 X 4 [229 X 102]	58 [1473]	30 [762]	21 [533]	40 [1016]	18 [457]	9 [229]	18 [457]	6 [152]	10-1/4 [260]	6-7/8 [175]	11-9/16 [294]
12	9 X 6 [229 X 152]	58 [1473]	36 [914]	21 [533]	40 [1016]	18 [457]	9 [229]	24 [610]	6 [152]	10-1/4 [260]	8-1/4 [210]	13-7/8 [352]
16	10 X 8 [254 X 203]	58 [1473]	44 [1118]	21 [533]	40 [1016]	18 [457]	9 [229]	30 [762]	7 [178]	11-3/8 [289]	10-1/4 [260]	16-7/8 [429]
20	10 X 10 [254 X 254]	61 [1549]	50 [1270]	21 [533]	40 [1016]	21 [533]	12 [305]	36 [914]	7 [178]	11-3/8 [289]	13-1/4 [337]	18-3/8 [467]
30	15 X 9 [381 X 229]	67 [1702]	59 [1499]	30 [762]	46 [1168]	21 [533]	12 [305]	45 [1143]	7 [178]	16 [406]	13-1/4 [337]	22-7/8 [581]
40	15 X 11 [381 X 279]	70 [1778]	68 [1727]	30 [762]	46 [1168]	24 [610]	15 [381]	48 [1219]	10 [254]	16 [406]	15 [381]	26-1/2 [673]

**TITLE:**  
MODEL H SERIES C  
BELT DRIVE BLOWER COIL UNIT  
BASIC UNIT - DISCHARGE ARG. 3  
W/ MIXING BOX

THIS DRAWING CONTAINS PROPRIETARY DATA.  
UNAUTHORIZED DISCLOSURE, REPRODUCTION, OR USE  
IS STRICTLY PROHIBITED WITHOUT WRITTEN PERMISSION

DO NOT SCALE DRAWING  
DIMENSIONS AND DATA ARE SUBJECT TO CHANGE WITHOUT NOTICE.  
CONTACT FACTORY FOR CERTIFIED DRAWINGS.

**ENVIRO-TEC®**

DRN BY: JGH	DATE: 3/6/14	SCALE: 1=22	DRAWING NO.
CKD BY: DPB	DATE: 3/6/14	REV: 01	35-80008