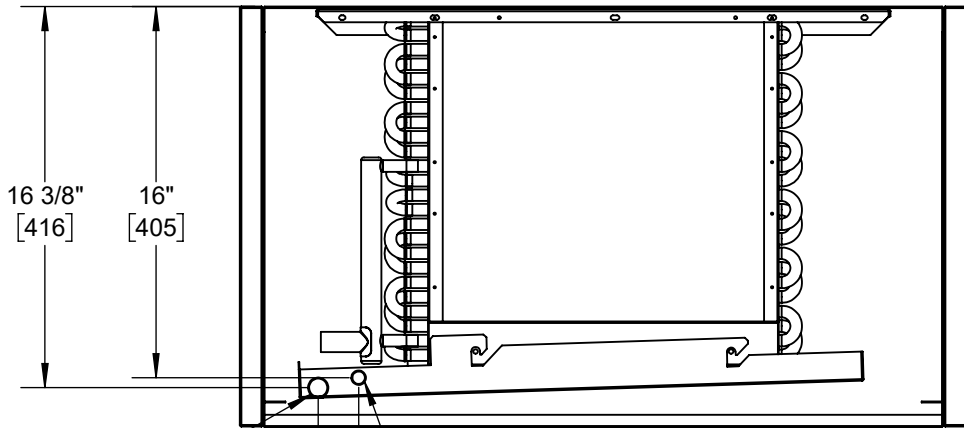


2-PIPE - SIDE VIEW
LH SHOWN
RH OPPOSITE

DX SUCTION OUTLET
DX LIQUID INLET (SEE NOTE 4, 7)



DRAIN LOCATIONS - BACK VIEW
LH SHOWN
RH OPPOSITE

MAIN DRAIN OUTLET (SEE NOTE 5)
AUX DRAIN OUTLET (SEE NOTE 6)

NOTES:

1. All dimensions are inches [millimeters]
All dimensions $\pm 1/2$ [13mm].
Metric values are soft conversion.
2. All drawings subject to change without notice.
3. Model "HPE" unit shown. Side panel hidden for clarity.
4. Connection Size: See 82-80053 Coil Connections.
Stainless steel drain pan has 3/4" MPT galvanize steel outlet.
5. Standard externally foam coated galvanize steel drain pan has 7/8" ODM copper outlet.
Stainless steel drain pan has 3/4" MPT galvanize steel outlet.
6. Aux. drain outlet is 5/8" ODM copper or 3/8" MPT galvanized steel respectively.
7. Liquid Inlet arrangement may vary

UNCONTROLLED WHEN PRINTED

Unit Type	DX Coil Rows	A (1/2" ϕ Coil)
2 Pipe Cooling	3	2-1/8" [55]
	4	3-1/4" [82]
	6	5-3/8" [137]



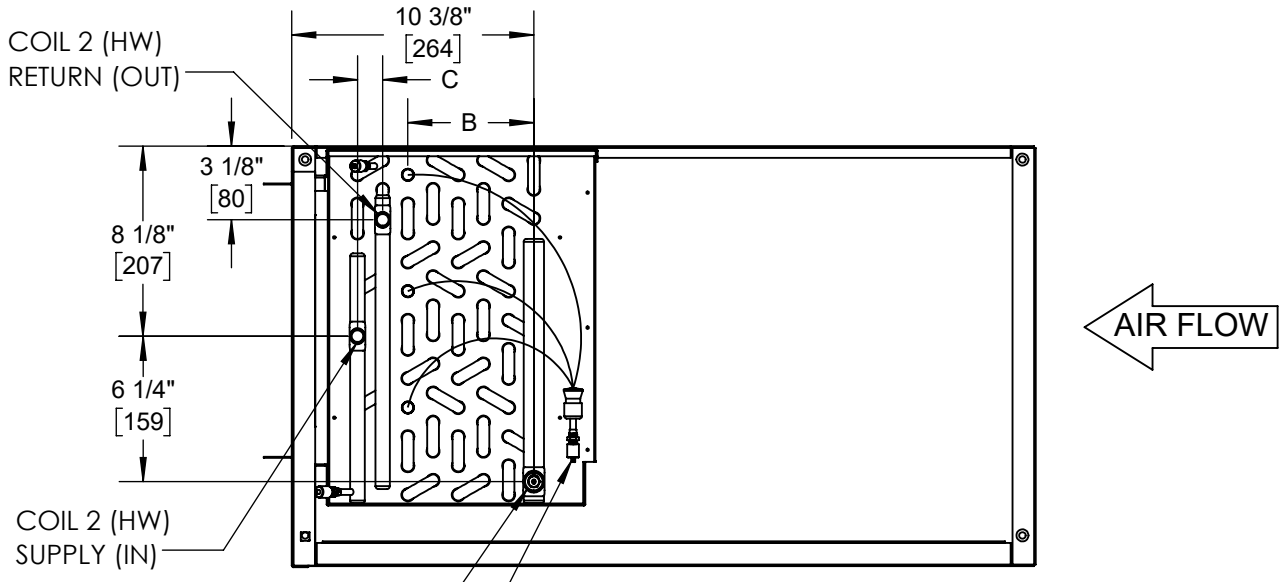
THIS DRAWING CONTAINS PROPRIETARY DATA. UNAUTHORIZED DISCLOSURE, REPRODUCTION, OR USE IS STRICTLY PROHIBITED WITHOUT WRITTEN PERMISSION.

SUBMITTAL DRAWING
ALL DRAWINGS ARE SUBJECT TO CHANGE WITHOUT PRIOR NOTICE

TITLE: **FIELD CONNECTIONS HPE
DX COIL CONNECTION LOCATIONS**

DO NOT SCALE DRAWING
DIMENSIONS ARE IN INCH (MM) FORMAT
+/- 1/8 [3] UNLESS OTHERWISE NOTED

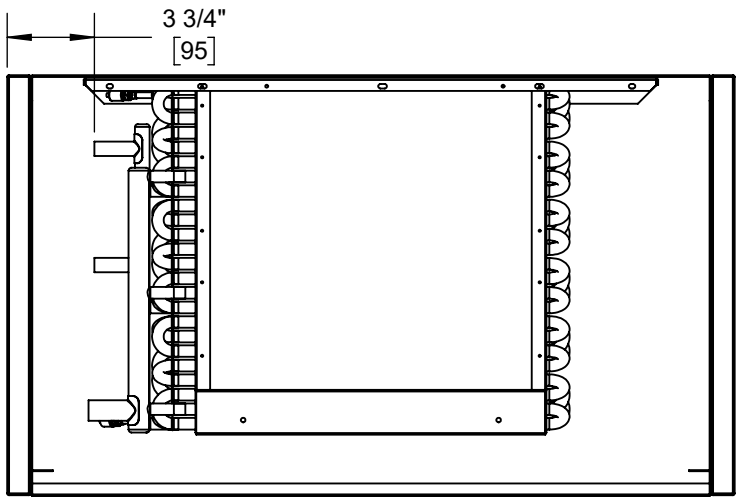
DATE	SHEET	DRAWING NO	REV
03/14/22	1 OF 3	82-80060	A



4-PIPE - SIDE VIEW
LH SHOWN
RH OPPOSITE

COIL 1 DX
SUCTION OUTLET

DX LIQUID INLET
(SEE NOTE 4, 8)



4-PIPE - FRONT VIEW
LH SHOWN
RH OPPOSITE

Unit Type: 4 Pipe Re-Heat

Coil 1 DX Rows	Coil 2 HW Rows	1/2" Coil Ø		
		A	B	C
3	1	8-1/4" [210]	2-1/8" [52]	7/8" [22]
3	2	8-1/4" [210]	2-1/8" [52]	1-1/8" [29]
3	3	8-1/4" [210]	2-1/8" [52]	2-1/8" [54]
4	1	8-1/4" [210]	3-1/4" [83]	1" [25.5]
4	2	8-1/4" [210]	3-1/4" [83]	1" [25.5]
3	4	10-3/8" [364]	2-1/8" [52]	3-1/4" [83]
4	3	10-3/8" [364]	3-1/4" [83]	2-1/4" [54]
4	4	10-3/8" [364]	3-1/4" [83]	3-1/4" [83]
6	1	10-3/8" [364]	5-1/2" [140]	7/8" [22]
6	2	10-3/8" [364]	5-1/2" [140]	1-1/8" [27]

NOTES:

- All dimensions are inches [millimeters]
All dimensions 1/2 [13mm].
Metric values are soft conversion.
- All drawings subject to change without notice.
- Model "HPE" unit shown. Side panel hidden for clarity.
- Connection Size: See 82-80053 Coil Connections.
Stainless steel drain pan has 3/4" MPT galvanize steel outlet.
- Standard externally foam coated galvanize steel drain pan has 7/8" ODM copper outlet.
Stainless steel drain pan has 3/4" MPT galvanize steel outlet.
- Aux. drain outlet is 5/8" ODM copper or 3/8" MPT galvanized steel respectively.
- Single Row/Single Circuit headers are vertical
(Horizontal Distance is 0")
- Liquid Inlet arrangement may vary

UNCONTROLLED WHEN PRINTED



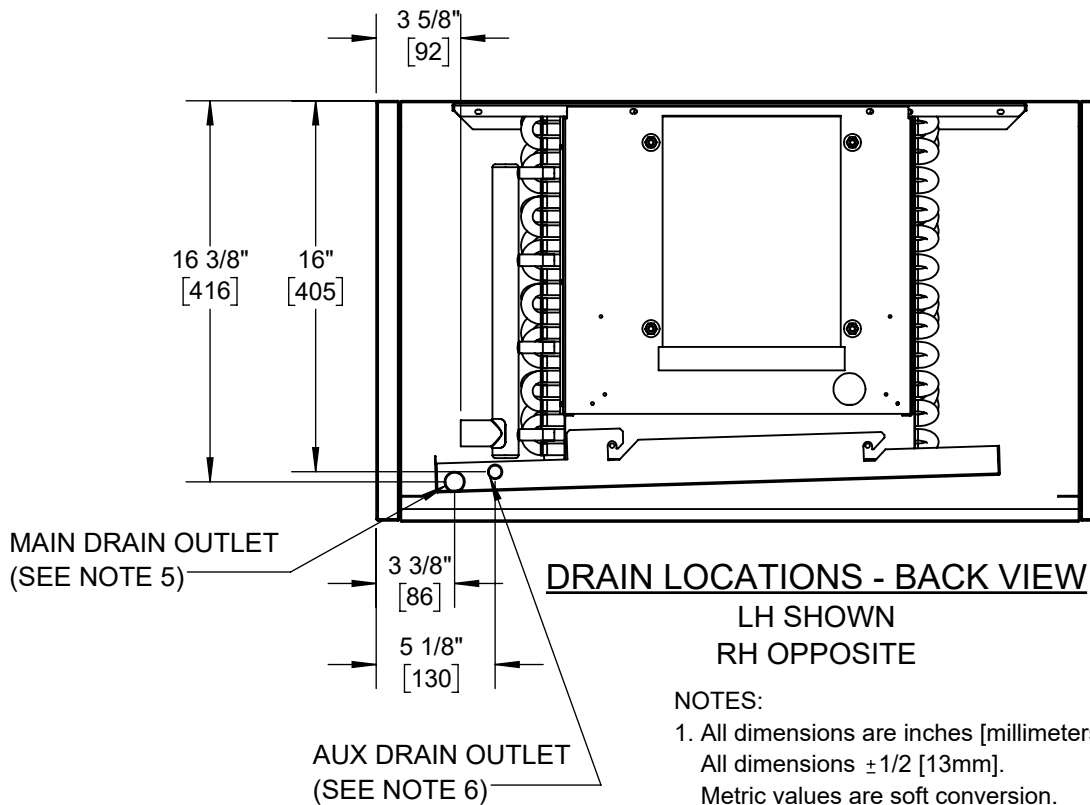
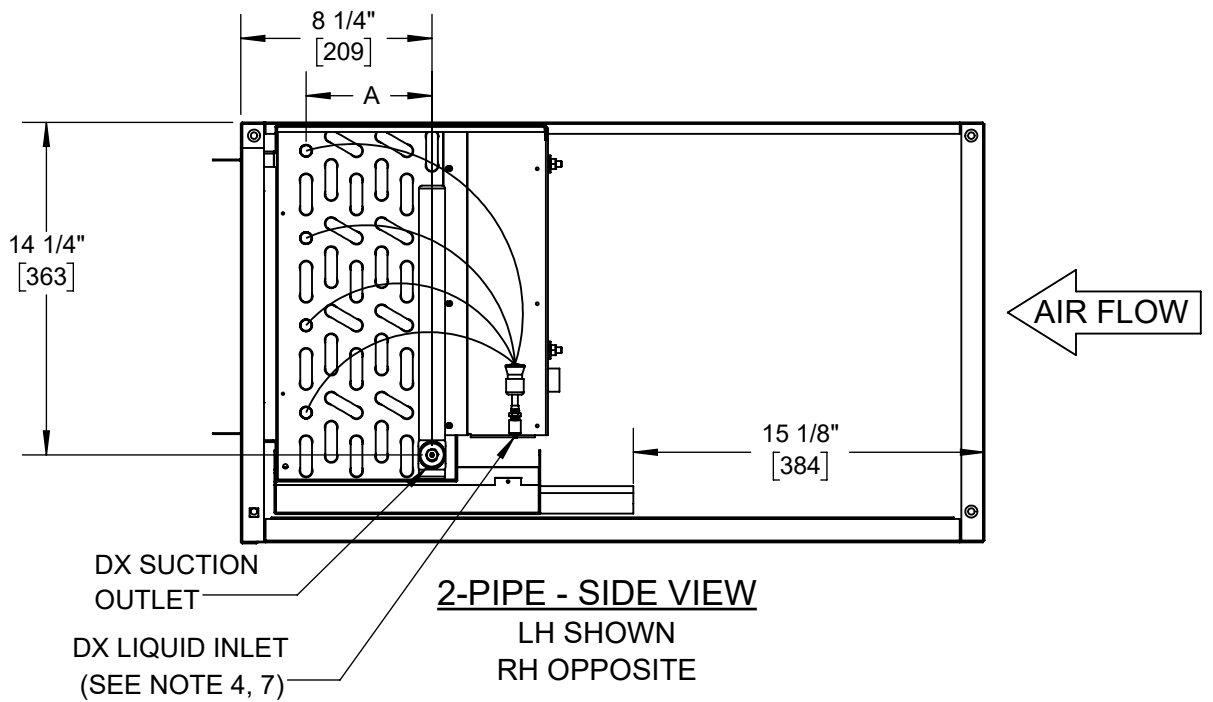
THIS DRAWING CONTAINS PROPRIETARY DATA. UNAUTHORIZED DISCLOSURE, REPRODUCTION, OR USE IS STRICTLY PROHIBITED WITHOUT WRITTEN PERMISSION.

SUBMITTAL DRAWING
ALL DRAWINGS ARE SUBJECT TO CHANGE WITHOUT PRIOR NOTICE

DO NOT SCALE DRAWING
DIMENSIONS ARE IN INCH (MM) FORMAT
+/- 1/8 (3) UNLESS OTHERWISE NOTED

TITLE: **FIELD CONNECTIONS HPE
DX-HW COIL CONNECTION LOCATIONS**

DATE 03/14/22	SHEET 2 OF 3	DRAWING NO 82-80060	REV A
------------------	-----------------	------------------------	----------



NOTES:

- All dimensions are inches [millimeters]
All dimensions $\pm 1/2$ [13mm].
Metric values are soft conversion.
- All drawings subject to change without notice.
- Model "HPE" unit shown. Side panel hidden for clarity.
- Connection Size: See 82-80053 Coil Connections.
Stainless steel drain pan has 3/4" MPT galvanize steel outlet.
- Standard externally foam coated galvanize steel drain pan has 7/8" ODM copper outlet.
Stainless steel drain pan has 3/4" MPT galvanize steel outlet.
- Aux. drain outlet is 5/8" ODM copper or 3/8" MPT galvanized steel respectively.
- Liquid Inlet arrangement may vary

UNCONTROLLED WHEN PRINTED

Unit Type	DX Coil Rows	A (1/2" ϕ Coil)
2 Pipe Cooling	3	2-1/8" [55]
	4	3-1/4" [82]
	6	5-3/8" [137]



THIS DRAWING CONTAINS PROPRIETARY DATA. UNAUTHORIZED DISCLOSURE, REPRODUCTION, OR USE IS STRICTLY PROHIBITED WITHOUT WRITTEN PERMISSION.

SUBMITTAL DRAWING
ALL DRAWINGS ARE SUBJECT TO CHANGE WITHOUT PRIOR NOTICE

TITLE: **FIELD CONNECTIONS HPE
EH-DX COIL CONNECTION LOCATIONS**

DO NOT SCALE DRAWING
DIMENSIONS ARE IN INCH (MM) FORMAT
+/- 1/8 (3) UNLESS OTHERWISE NOTED

DATE	SHEET	DRAWING NO	REV
03/14/22	3 OF 3	82-80060	A