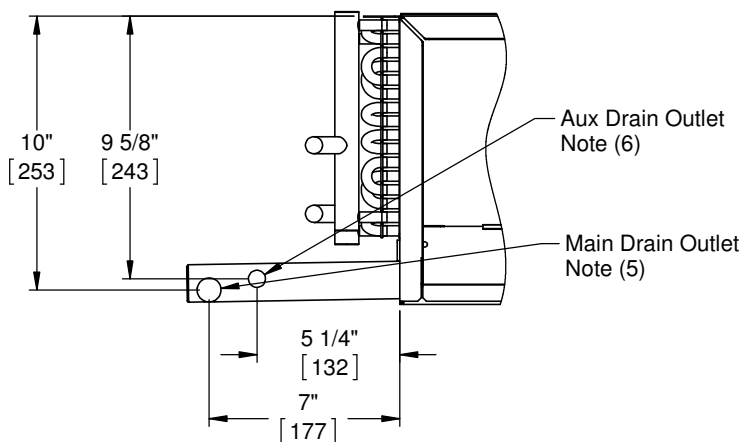


**2 PIPE COOLING
FOR VALVE PACKAGES
(LEFT HAND)**



DRAIN LOCATIONS

NOTES:

1. All dimensions are inches [millimeters]
All dimensions $\pm 1/2$ [13mm].
Metric values are soft conversion.
2. All drawings subject to change without notice.
3. Model "HLP" unit shown, typical for model "HLF" units. Connections shown are internal on "HLE" units.
4. Connection Size:
Chilled Water: 5/8 ODM (1/2" NOM.)
Hot Water: 5/8 ODM (1/2" NOM.)
5. Standard externally foam coated galvanize steel drain pan has 7/8" ODM copper outlet. Stainless steel drain pan has 3/4" MPT galvanize steel outlet.
6. Aux. drain outlet is 5/8" ODM copper or 3/8" MPT galvanized steel respectively. Aux. drain outlet is always closest to the unit when facing outlet end of drain pan, regardless of unit hand.



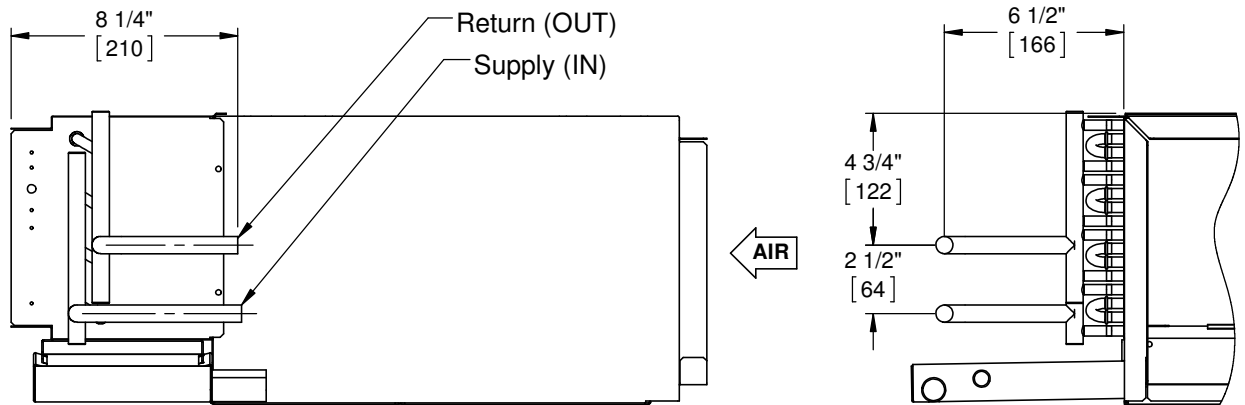
THIS DRAWING CONTAINS PROPRIETARY DATA. UNAUTHORIZED DISCLOSURE, REPRODUCTION, OR USE IS STRICTLY PROHIBITED WITHOUT WRITTEN PERMISSION.

SUBMITTAL DRAWING
ALL DRAWINGS ARE SUBJECT TO CHANGE WITHOUT PRIOR NOTICE

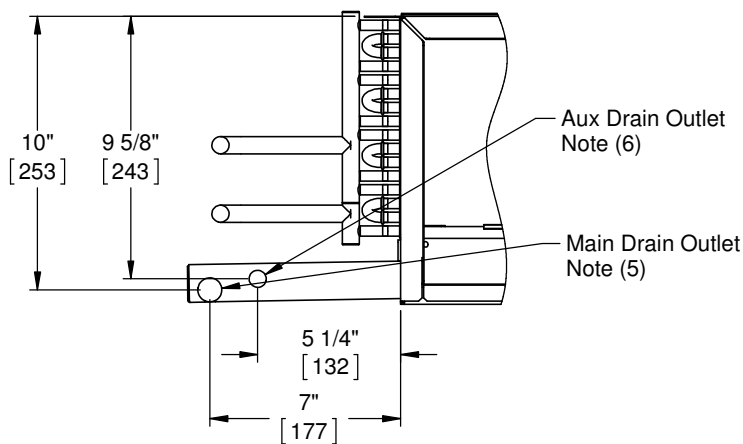
DO NOT SCALE DRAWING
DIMENSIONS ARE IN INCH [MM] FORMAT
+/- 1/8 [3] UNLESS OTHERWISE NOTED

**TITLE: MODEL HL FAN COIL UNIT SERIES D
WATER COIL CONNECTION LOCATIONS**

DATE	SHEET	DRAWING NO	REV
06/20/16	PAGE 1 OF 4	47-80126	00



**2 PIPE HEATING
FOR VALVE PACKAGES
(LEFT HAND)**



DRAIN LOCATIONS

NOTES:

1. All dimensions are inches [millimeters]
All dimensions $\pm 1/2$ [13mm].
Metric values are soft conversion.
2. All drawings subject to change without notice.
3. Model "HLP" unit shown, typical for model "HLF" units. Connections shown are internal on "HLE" units.
4. Connection Size:
Chilled Water: 5/8 ODM (1/2" NOM.)
Hot Water: 5/8 ODM (1/2" NOM.)
5. Standard externally foam coated galvanize steel drain pan has 7/8" ODM copper outlet. Stainless steel drain pan has 3/4" MPT galvanize steel outlet.
6. Aux. drain outlet is 5/8" ODM copper or 3/8" MPT galvanized steel respectively. Aux. drain outlet is always closest to the unit when facing outlet end of drain pan, regardless of unit hand.



THIS DRAWING CONTAINS PROPRIETARY DATA. UNAUTHORIZED DISCLOSURE, REPRODUCTION, OR USE IS STRICTLY PROHIBITED WITHOUT WRITTEN PERMISSION.

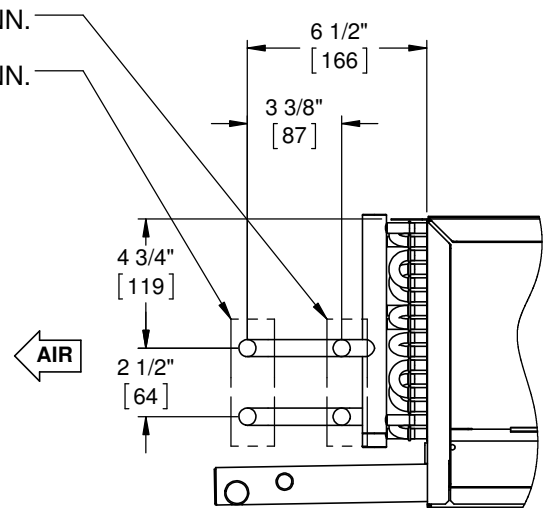
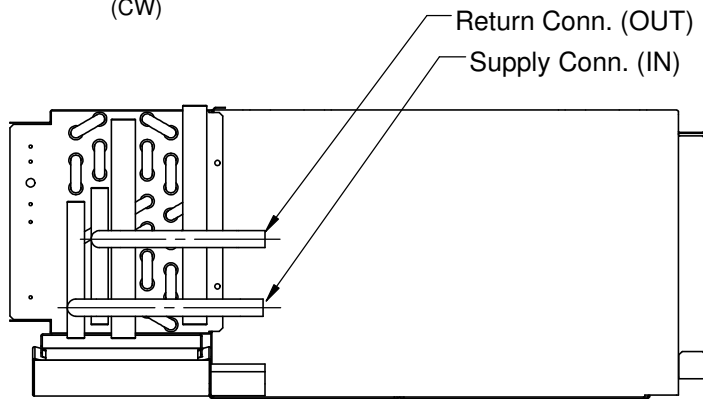
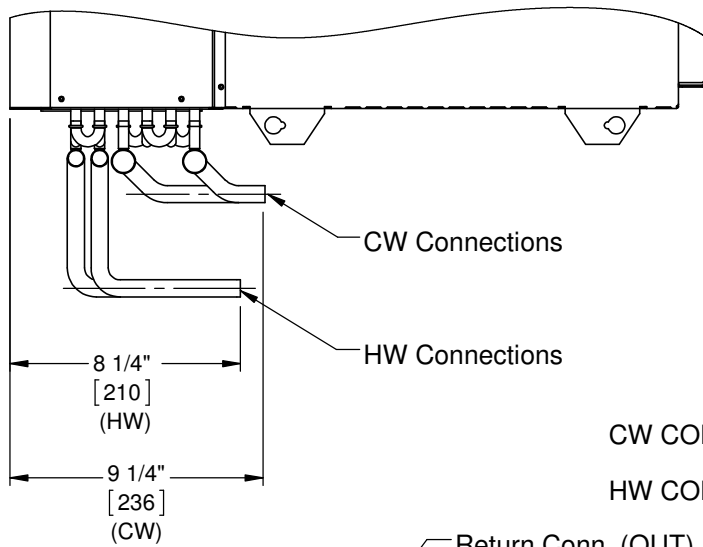
SUBMITTAL DRAWING
ALL DRAWINGS ARE SUBJECT TO CHANGE WITHOUT PRIOR NOTICE

DO NOT SCALE DRAWING
DIMENSIONS ARE IN INCH (MM) FORMAT
+/- 1/8 (3) UNLESS OTHERWISE NOTED

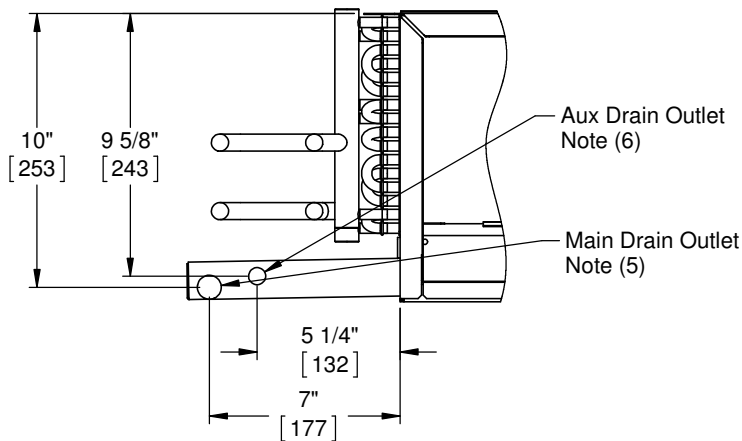
TITLE: **MODEL HL FAN COIL UNIT SERIES D
WATER COIL CONNECTION LOCATIONS**

DATE	SHEET	DRAWING NO	REV
06/20/16	PAGE 2 OF 4	47-80126	00

UNCONTROLLED WHEN PRINTED



**4 PIPE RE-HEAT
FOR VALVE PACKAGES
(LEFT HAND)**



DRAIN LOCATIONS

NOTES:

- All dimensions are inches [millimeters]
All dimensions $\pm 1/2$ [13mm].
Metric values are soft conversion.
- All drawings subject to change without notice.
- Model "HLP" unit shown, typical for model "HLF" units. Connections shown are internal on "HLE" units.
- Connection Size:
Chilled Water: 5/8 ODM (1/2" NOM.)
Hot Water: 5/8 ODM (1/2" NOM.)
- Standard externally foam coated galvanize steel drain pan has 7/8" ODM copper outlet. Stainless steel drain pan has 3/4" MPT galvanize steel outlet.
- Aux. drain outlet is 5/8" ODM copper or 3/8" MPT galvanized steel respectively. Aux. drain outlet is always closest to the unit when facing outlet end of drain pan, regardless of unit hand.



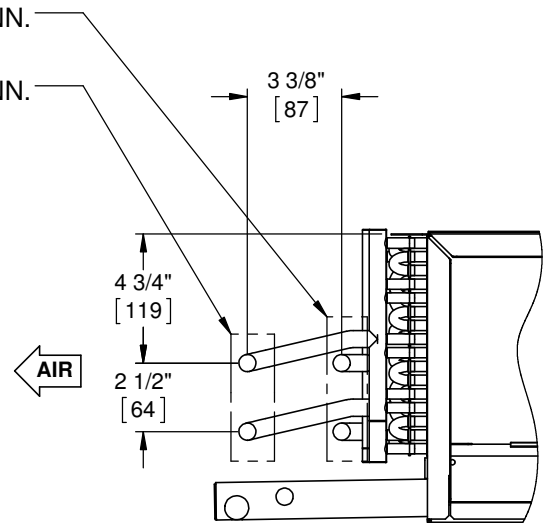
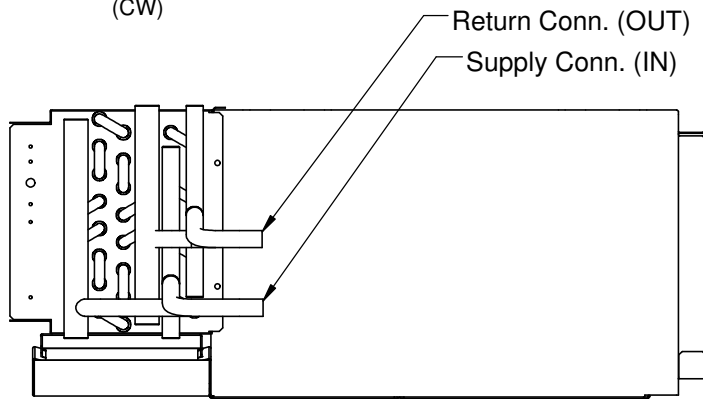
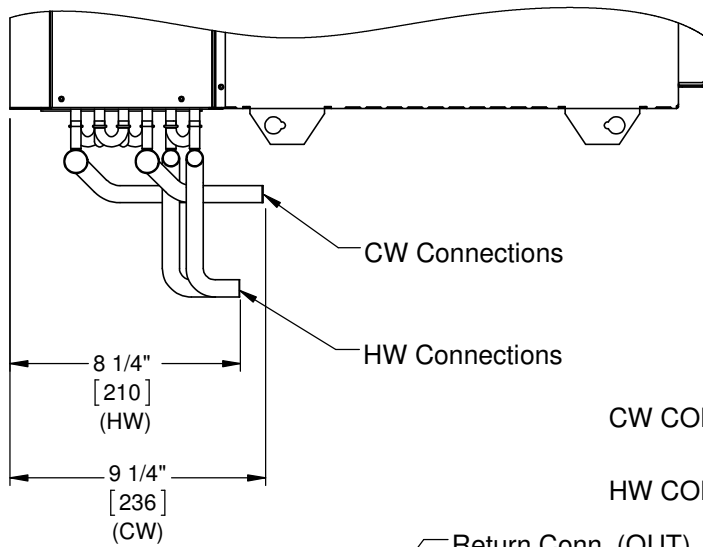
THIS DRAWING CONTAINS PROPRIETARY DATA. UNAUTHORIZED DISCLOSURE, REPRODUCTION, OR USE IS STRICTLY PROHIBITED WITHOUT WRITTEN PERMISSION.

SUBMITTAL DRAWING
ALL DRAWINGS ARE SUBJECT TO CHANGE WITHOUT PRIOR NOTICE

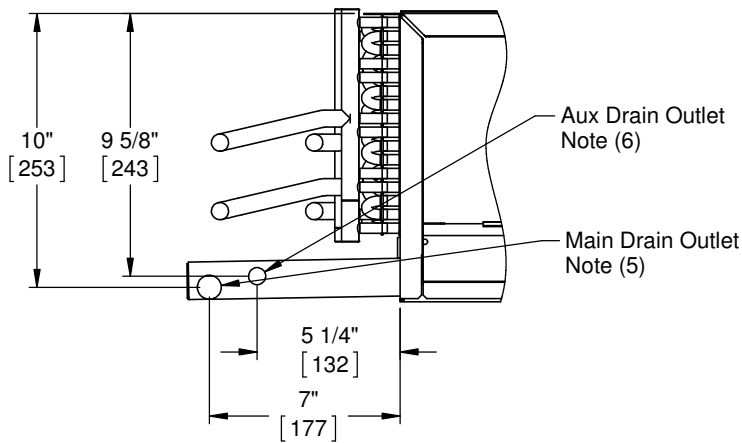
DO NOT SCALE DRAWING
DIMENSIONS ARE IN INCH [MM] FORMAT +/- 1/8 [3] UNLESS OTHERWISE NOTED

TITLE: **MODEL HL FAN COIL UNIT SERIES D
WATER COIL CONNECTION LOCATIONS**

DATE	SHEET	DRAWING NO	REV
06/20/16	PAGE 3 OF 4	47-80126	00



**4 PIPE PRE-HEAT
FOR VALVE PACKAGES
(LEFT HAND)**



DRAIN LOCATIONS

NOTES:

1. All dimensions are inches [millimeters]
All dimensions $\pm 1/2$ [13mm].
Metric values are soft conversion.
2. All drawings subject to change without notice.
3. Model "HLP" unit shown, typical for model "HLF" units. Connections shown are internal on "HLE" units.
4. Connection Size:
Chilled Water: 5/8 ODM (1/2" NOM.)
Hot Water: 5/8 ODM (1/2" NOM.)
5. Standard externally foam coated galvanize steel drain pan has 7/8" ODM copper outlet. Stainless steel drain pan has 3/4" MPT galvanize steel outlet.
6. Aux. drain outlet is 5/8" ODM copper or 3/8" MPT galvanized steel respectively. Aux. drain outlet is always closest to the unit when facing outlet end of drain pan, regardless of unit hand.



THIS DRAWING CONTAINS PROPRIETARY DATA. UNAUTHORIZED DISCLOSURE, REPRODUCTION, OR USE IS STRICTLY PROHIBITED WITHOUT WRITTEN PERMISSION.

SUBMITTAL DRAWING
ALL DRAWINGS ARE SUBJECT TO CHANGE WITHOUT PRIOR NOTICE

DO NOT SCALE DRAWING
DIMENSIONS ARE IN INCH [MM] FORMAT
+/- 1/8 [3] UNLESS OTHERWISE NOTED

TITLE: **MODEL HL FAN COIL UNIT SERIES D
WATER COIL CONNECTION LOCATIONS**

DATE	SHEET	DRAWING NO	REV
06/20/16	PAGE 4 OF 4	47-80126	00