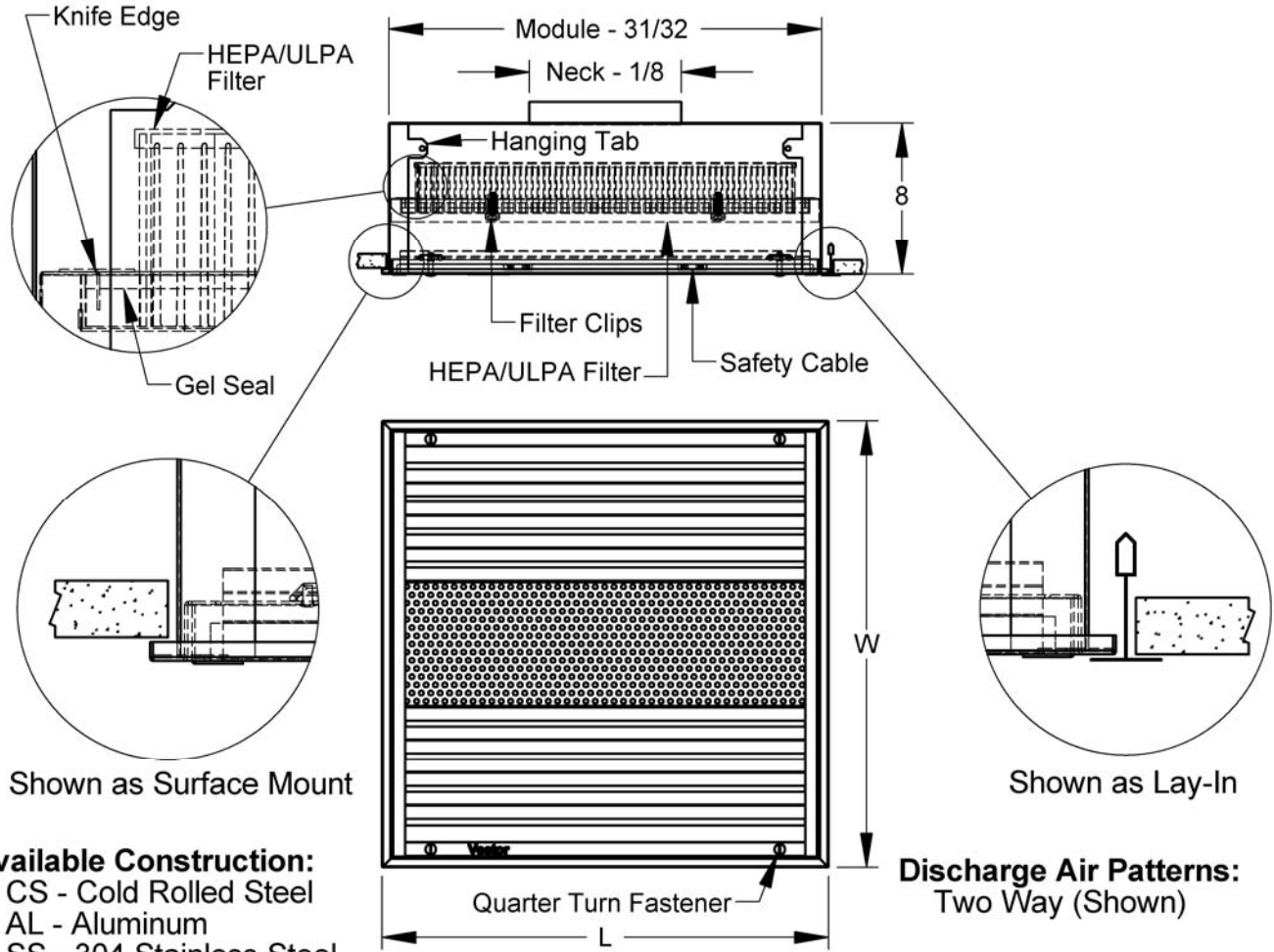


- Non-aspirating radial air pattern
- Fixed louver blades
- Stainless steel quarter turn fasteners allow easy removal of face
- Safety cables prevent accidental dropping of face during removal
- Integral knife edge provides positive seal when used with gel seal equipped filter
- All seams and backpan penetrations are sealed with RTV
- Backpan equipped with four hanging tabs
- Optional HEPA filter ships separate (ULPA by others if required)



Available Construction:
 CS - Cold Rolled Steel
 AL - Aluminum
 SS - 304 Stainless Steel

Available Finishes:
 WH - White Paint
 ML - Mill (No Paint)

Dimensions in inches

Available sizes

Module Size	L	W	Neck
24x24	23.75	23.75	6, 8, 10
48x24	47.75	23.75	10, 12

Discharge Air Patterns:
 Two Way (Shown)

Options:
 HEPA Filter (See SD-1903)
 (ULPA by others if required)

Job: _____
 Location: _____
 Architect: _____
 Engineer: _____
 Contractor: _____

Submitted By: _____

SD-1904	Rev: A (12/04)
---------	----------------

Vector-H
Critical Room Diffuser
Radial Flow
HEPA/ULPA Model