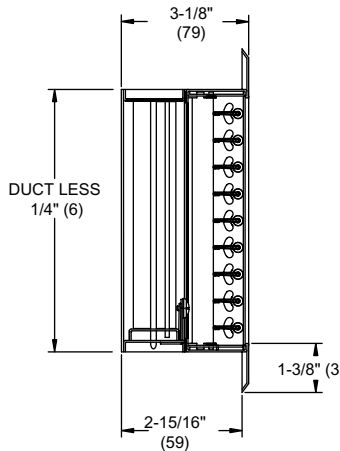
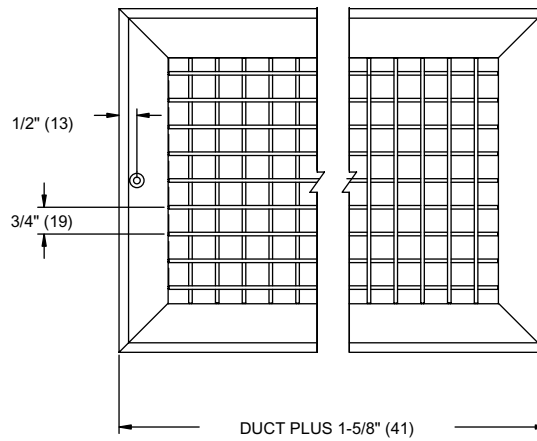


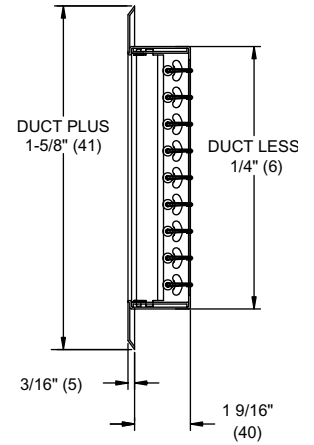
- T54SS has horizontal front bars & vertical rear bars
- T64SS has vertical front bars & horizontal rear bars
- Standard construction is 304 stainless steel
- Optional 316 stainless steel construction is available
- Optional SSOBD (stainless steel opposed blade damper) is factory mounted
- Standard finish is satin polish (SP)
- Optional white paint finish is available



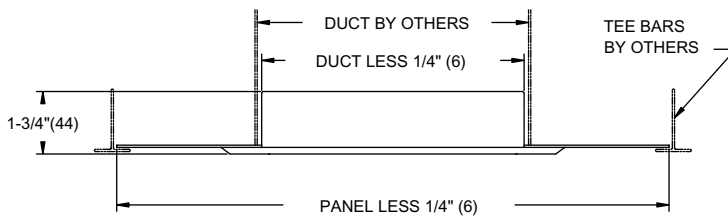
**T54SS
w/SSOBD Shown**



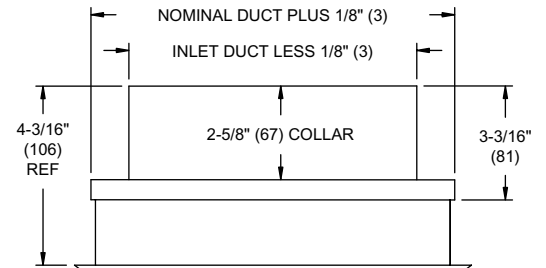
SF Frame (Surface Mount) Detail



**T64SS
Shown**



LT Frame (Lay-In T-Bar) Detail



SRSS (Square to Round) Detail

Dimensions are in inches. Product information subject to change without notice.

PROJECT: _____
 ARCHITECT: _____
 ENGINEER: _____
 CONTRACTOR: _____
 LOCATION: _____

SUBMITTED BY: _____

DATE: 4/02/01 | SD - 1793

T54SS, T64SS
 Stainless Steel
 Double Deflection Grille