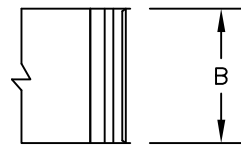
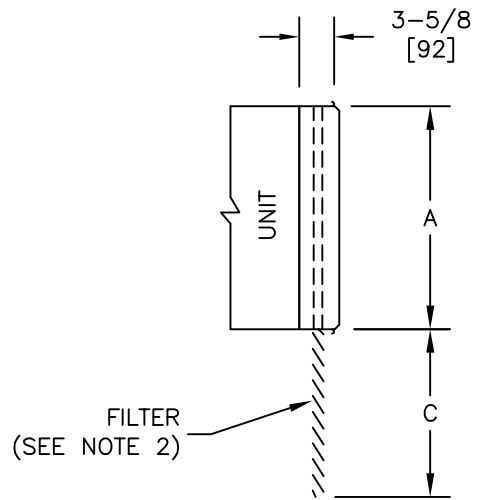


DIMENSIONS - In [mm]

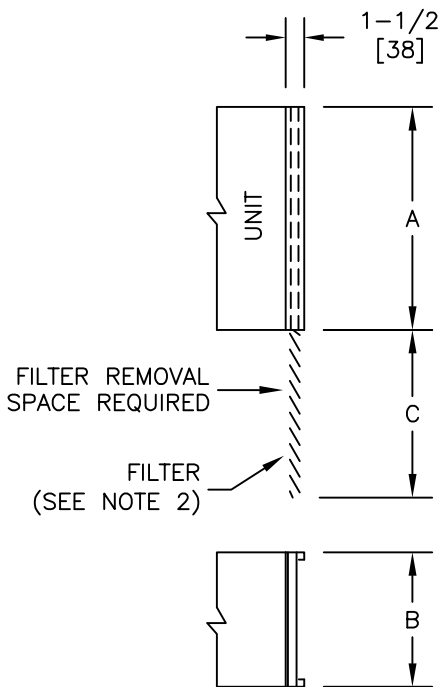
UNIT SIZE	A	B	C	D	E	FILTER SIZES
04	24 [610]	14 [356]	24 [610]	13 [330]	21 [533]	14 X 24 X 1
08	24 [610]	14 [356]	24 [610]	13 [330]	21 [533]	14 X 24 X 1
10	30 [762]	17 [432]	30 [762]	16 [406]	27 [686]	17 X 30 X 1
12	30 [762]	17 [432]	30 [762]	16 [406]	27 [686]	17 X 30 X 1
14	30 [762]	19 [483]	30 [762]	18 [457]	27 [686]	19 X 30 X 1
16	30 [762]	19 [483]	30 [762]	18 [457]	27 [686]	19 X 30 X 1



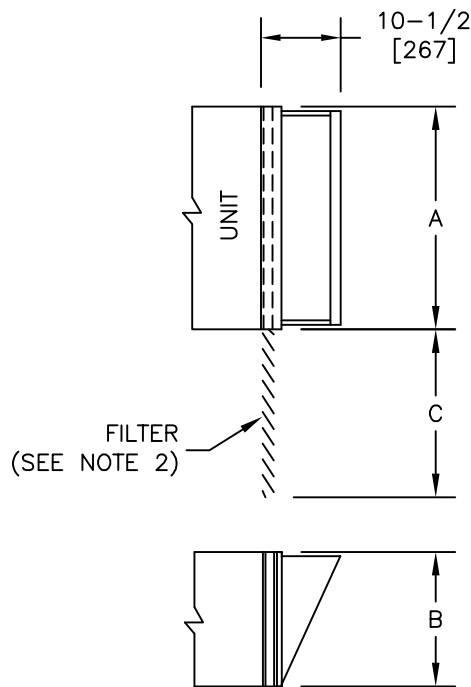
UNIT WITH SLIP & DRIVE FILTER RACK ASS'Y

NOTES:

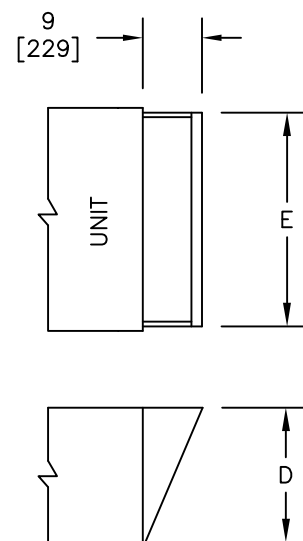
1. All dimensions are Inches [millimeters].
All dimensions $\pm 1/4"$ [6mm].
Metric values are soft conversion.
2. FILTER: 1" Fiberglass disposable media.
See table for sizes.



UNIT WITH FILTER RACK



UNIT W/FILTER RACK & INDUCTION SOUND BAFFLE



UNIT W/INDUCTION SOUND BAFFLE NON-COIL

TITLE:

INDUCTION INLET OPTIONS
MODEL VFR/VFR-EH
SERIES C



DRN BY: SM	DATE: 11/4/03	SCALE: NTS	DRAWING NO.
CKD BY: DVC	DATE: 10/13/08	REV: 01	

07-80020

THIS DRAWING CONTAINS PROPRIETARY DATA.
UNAUTHORIZED DISCLOSURE, REPRODUCTION, OR USE
IS STRICTLY PROHIBITED WITHOUT WRITTEN PERMISSION

DO NOT SCALE DRAWING
DIMENSIONS AND DATA ARE SUBJECT TO CHANGE WITHOUT NOTICE.
CONTACT FACTORY FOR CERTIFIED DRAWINGS.