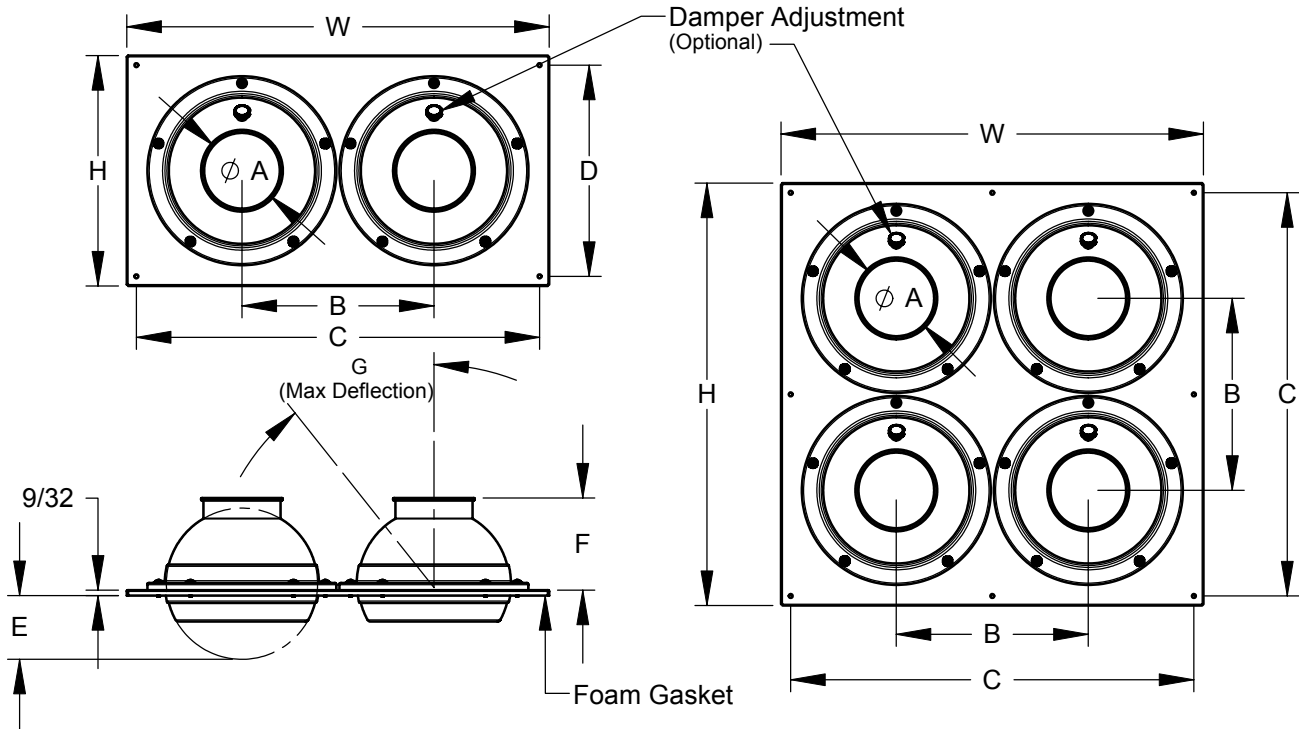
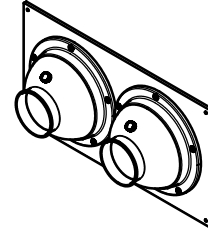


- Nozzles are solid aluminum construction (spun)
- Panels are 304 Stainless Steel
- Felt gasket seal between nozzle and frame
- Closed cell (or felt) installation gasket between frame and wall
- Standard clear anodized finish
- Optional Sliding Plate Damper (shown)



| Size | Frame | Duct | W | H | A | B | C | D | E | F | G |
|------|-------|-------|----|----|---------|---------|----|----|--------|---------|-----|
| 3 | 2E | 10x4 | 12 | 6 | 1 1/2 | 6 | 11 | 5 | 1 7/8 | 2 1/4 | 33° |
| 4 | 2E | 12x6 | 14 | 8 | 2 | 7 | 13 | 7 | 1 7/16 | 2 15/16 | 41° |
| 5 | 2E | 14x6 | 16 | 8 | 2 9/16 | 8 | 15 | 7 | 2 | 3 1/2 | 44° |
| 6 | 2E | 16x8 | 18 | 10 | 2 15/16 | 9 | 17 | 9 | 2 7/16 | 4 | 43° |
| 7 | 2E | 18x9 | 20 | 11 | 3 9/16 | 9 1/3 | 19 | 10 | 2 1/16 | 3 5/8 | 43° |
| 8 | 2E | 20x10 | 22 | 12 | 3 15/16 | 10 | 21 | 11 | 2 1/16 | 3 5/8 | 33° |
| 3 | 4E | 10x10 | 12 | 12 | 1 1/2 | 5 | 11 | - | 1 7/8 | 2 1/4 | 33° |
| 4 | 4E | 12x12 | 14 | 14 | 2 | 6 | 13 | - | 1 7/16 | 2 15/16 | 41° |
| 5 | 4E | 14x14 | 16 | 16 | 2 9/16 | 7 | 15 | - | 2 | 3 1/2 | 44° |
| 6 | 4E | 16x16 | 18 | 18 | 2 15/16 | 8 | 17 | - | 2 7/16 | 4 | 43° |
| 7 | 4E | 18x18 | 20 | 20 | 3 9/16 | 9 11/32 | 19 | - | 2 1/16 | 3 5/8 | 43° |
| 8 | 4E | 20x20 | 22 | 22 | 3 15/16 | 10 | 21 | - | 2 1/16 | 3 5/8 | 33° |

Options

Sliding Plate Damper

Dimensions in inches

| | | |
|-------------------|-----------------------------|--|
| Job: _____ | Tag: _____ | DJ Spot Diffuser Panel Mount Two Element (2E) Four Element (4E) |
| Location: _____ | Submitted By: _____ | |
| Architect: _____ | SD-2026 Rev: A (06/07) | |
| Engineer: _____ | | |
| Contractor: _____ | | |