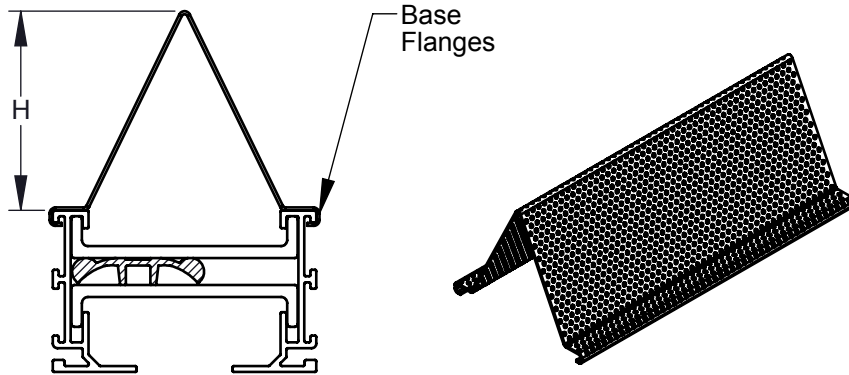


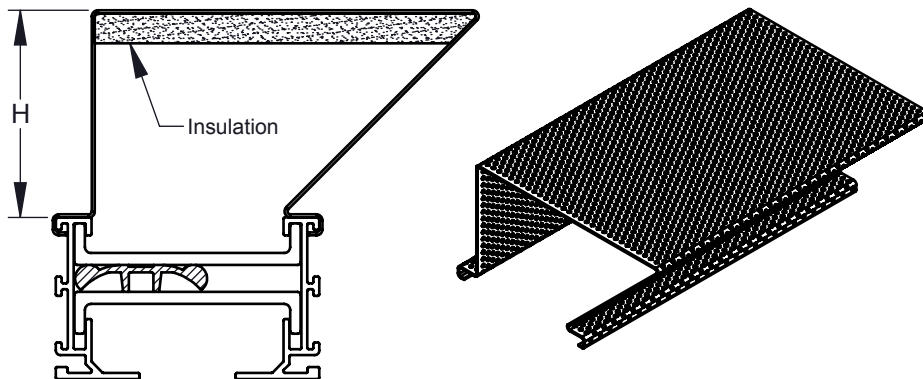
- Return hoods are 51 percent free area perforated galvanized steel, painted flat black #84.
- Available in both insulated and uninsulated styles.
- Base flanges secure hood to diffuser for both ceiling and sidewall installation.
- Units ship in 4 foot length increments and can be field cut for shorter lengths.
- Not available for curved AIR-TRAC™.

Uninsulated Return Hood / Light Shield



Number of Slots	Slot Width	H (Height)
1	1	3 3/8
	1 1/2	3 3/8
	2	3 3/8
	2 1/2	3 3/8
	3	3 3/8
2	1	2 1/8
	1 1/2	3 1/8
	2	4 1/8
	2 1/2	5 1/8
	3	6 1/8

Insulated Return Hood / Light Shield



Dimensions in inches

Job: _____
 Location: _____
 Architect: _____
 Engineer: _____
 Contractor: _____

Tag: _____
 Submitted By: _____
 SD - 2099 Rev: B (02/12)

AIR-TRAC™
Optional Return Hood /
Light Shield