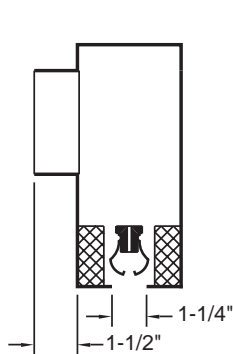
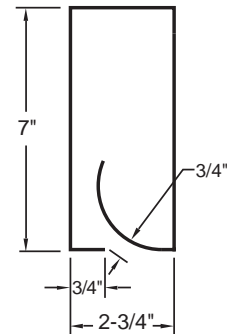
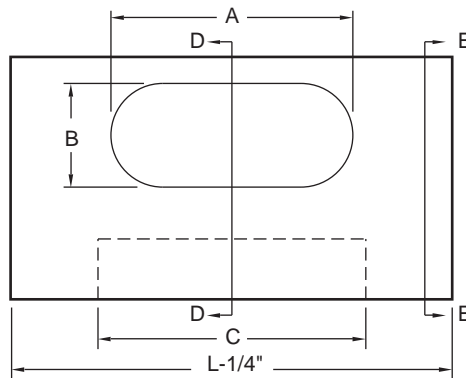


- Supply slots with contoured blades (non-adjustable) located on both ends of diffuser
- Center down blow section (adjustable) provides vertical airflow for problem areas
- Single slot configuration with 3/4" slot width
- Available lengths: 24", 36", 48", 60"
- Standard finish is black exposed surfaces and pattern controller / blades
- Steel construction



Section D-D



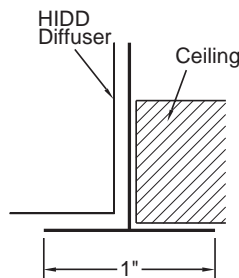
Section E-E

Available Inlet Sizes	A	B
6"	7-9/16"	3"
8"	10-1/16"	4"
10"	13-1/4"	4"

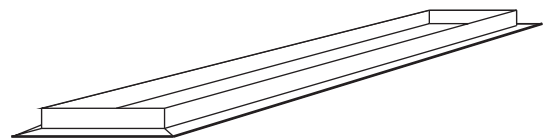
Available Lengths (L)	Available Down Blow Slot Dimensions (C)
24"	8"
36"	12", 15", 18"
48"	
60"	

24" length available in 6" and 8" inlets only.

The HIDD is designed for standard Lay-in T-bar ceiling systems. The optional PF plaster frame can be used to mount the diffuser in sheet rock or plaster ceilings (PF is mounted by others). Height is 1-1/2".



Optional Plaster Frame (PF)



Dimensions are in inches. Product information subject to change without notice.

PROJECT:	SUBMITTED BY:	DATE: 5-28-02	SD-1859
ARCHITECT:		HIDD Supply Plenum Slot Diffuser with Down Blow Section	
ENGINEER:			
CONTRACTOR:			
LOCATION:			