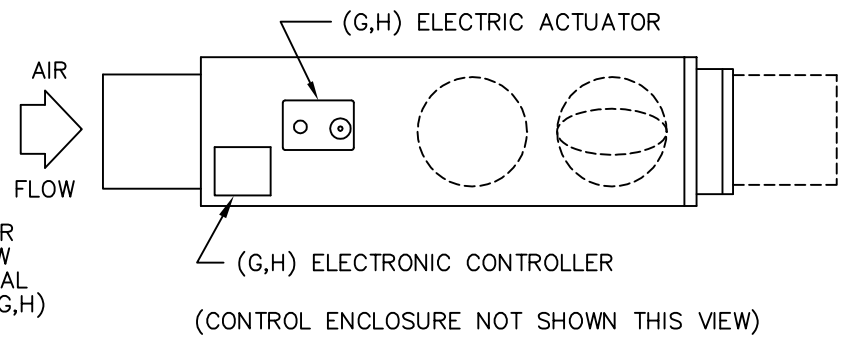
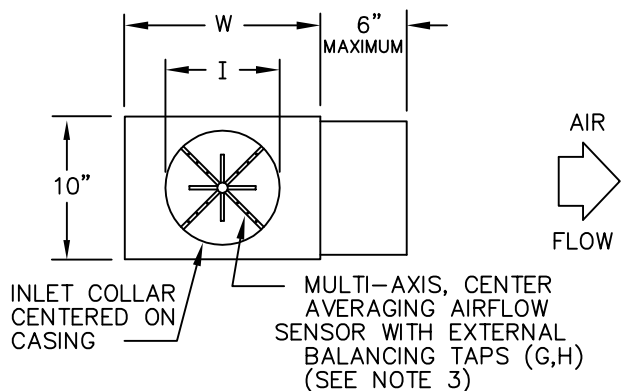
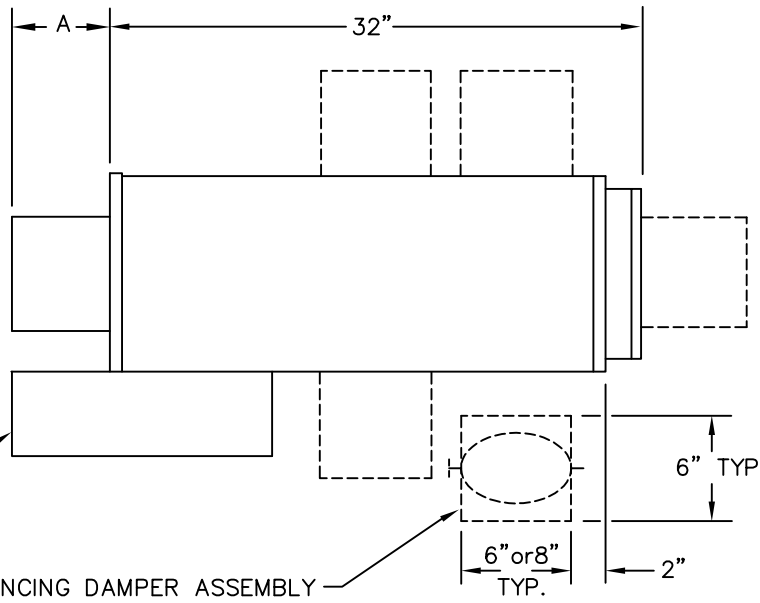


DIMENSIONAL DATA

UNIT SIZE	W	A	I
4	10 [254]	10-1/2 [267]	3-7/8 [98]
5	10 [254]	10-1/2 [267]	4-7/8 [124]
6	10 [254]	6-1/2 [165]	5-7/8 [149]
8	12 [305]	6-1/2 [165]	7-7/8 [200]



COLLAR CONFIGURATION TABLE

UNIT SIZE	COLLAR SIZE	MAXIMUM COLLARS		
		PER SIDE	PER END	PER UNIT
4	6	1	1	3
	8	1	1	3
5	6	1	1	3
	8	1	1	3
6	6	2	1	5
	8	1	1	3
8	6	2	1	5
	8	1	1	3

- CONSTRUCTION NOTES:**
- MATERIAL: Galvanized steel; Casing -22 gauge; Air valve casing -22 gauge.
 - INSULATION: 1/2" thick fiberglass complying with NFPA 90-A and UL 181.
 - AIRFLOW SENSOR: Sizes 4 & 5 utilize single-axis linear averaging type.

NOTE: All drawings subject to change without prior notice.

(G) PRESSURE INDEPENDENT - SERIES SD7000

(H) DIRECT DIGITAL PRESSURE INDEPENDENT

TITLE: MODEL SDR-MOP SINGLE DUCT TERMINAL UNIT ELECTRONIC CONTROLS



DRN BY: CV	DATE: 05/16/92	SCALE: N/A	DRAWING NO. 15355
CKD BY: <i>DJB</i>	DATE: 4/28/09	REV: 03	