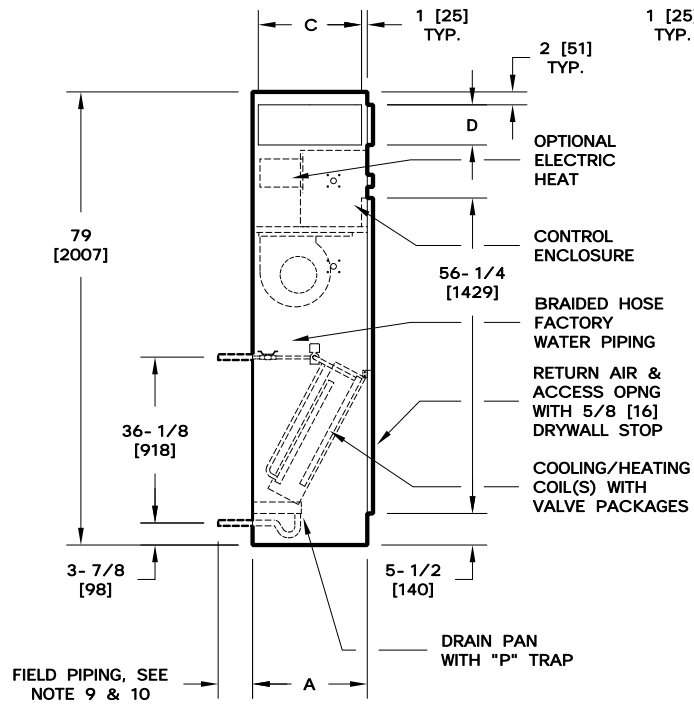
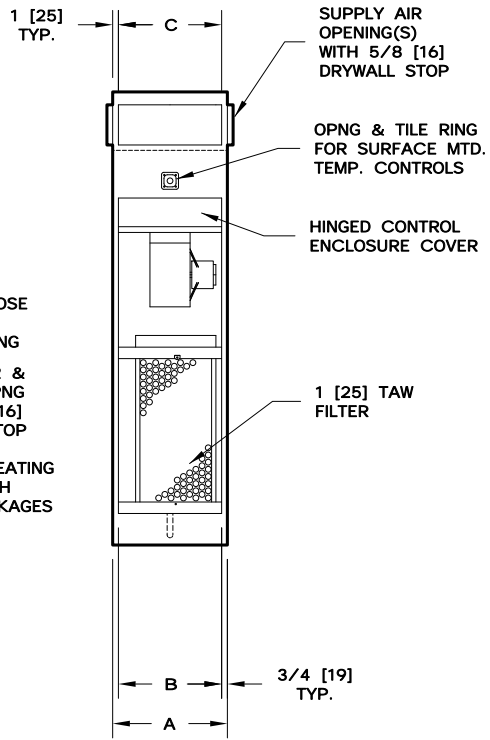


TOP VIEWS



SIDE VIEW



FRONT VIEW

DIMENSIONS - In [mm]

UNIT SIZE	A	B	SINGLE SUPPLY		DOUBLE SUPPLY		E
			C	D	C	D	
03 & 04	18 [457]	16- 1/2 [419]	16 [406]	6 [152]	16 [406]	6 [152]	6 [152]
06 & 08	20 [508]	18- 1/2 [470]	18 [457]	7 [178]	18 [457]	7 [178]	6 [152]
10 & 12	24 [610]	22- 1/2 [572]	-- [- -]	-- [- -]	22 [559]	7 [178]	8 [203]

NOTES:

- All dimensions are Inches [mm]. Metric values are soft conversion.
- All dimensions are ±1/4 [6mm].
- All drawings are subject to change without prior notice.
- Tile ring is installed on front of unit as shown, and may be moved to left or right side of unit in field.
- Wiring from electrical entry point to control enclosure is furnished and installed in the field by others.
- All piping and insulation between slave unit and risers is furnished and installed in the field by others.
- Back connection location shown. See arrangement drawings for available unit configurations.
- Size 10 and 12 top discharge is same size as double supply. Single supply size 10 and 12 available top discharge only.
- All coil and drain connections are "retracted" and braced internally for shipment.
- Coil connections are 5/8" [16mm] O.D. female sweat. Drain "P-trap" is designed to accept 7/8" [22mm] O.D. copper tube.

form: A- submittal- V.dwg rev.1

TITLE: MODEL "VHS" VERTICAL CONCEALED SLAVE HIGH RISE FAN COIL UNIT WITH 79" CABINET

DO NOT SCALE DRAWING
DIMENSIONS AND DATA ARE SUBJECT TO CHANGE WITHOUT NOTICE.
CONTACT FACTORY FOR CERTIFIED DRAWINGS.

THIS DRAWING CONTAINS PROPRIETARY DATA.
UNAUTHORIZED DISCLOSURE, REPRODUCTION, OR USE
IS STRICTLY PROHIBITED WITHOUT WRITTEN PERMISSION

ENVIRO-TEC
ENGINEERING FOR EXCELLENCE

DRN BY: HANK	DATE: 01/25/02	SCALE: 1=31.5	DRAWING NO.
CKD BY: DJL	DATE: 1/25/02	REV: 01	VH- 033