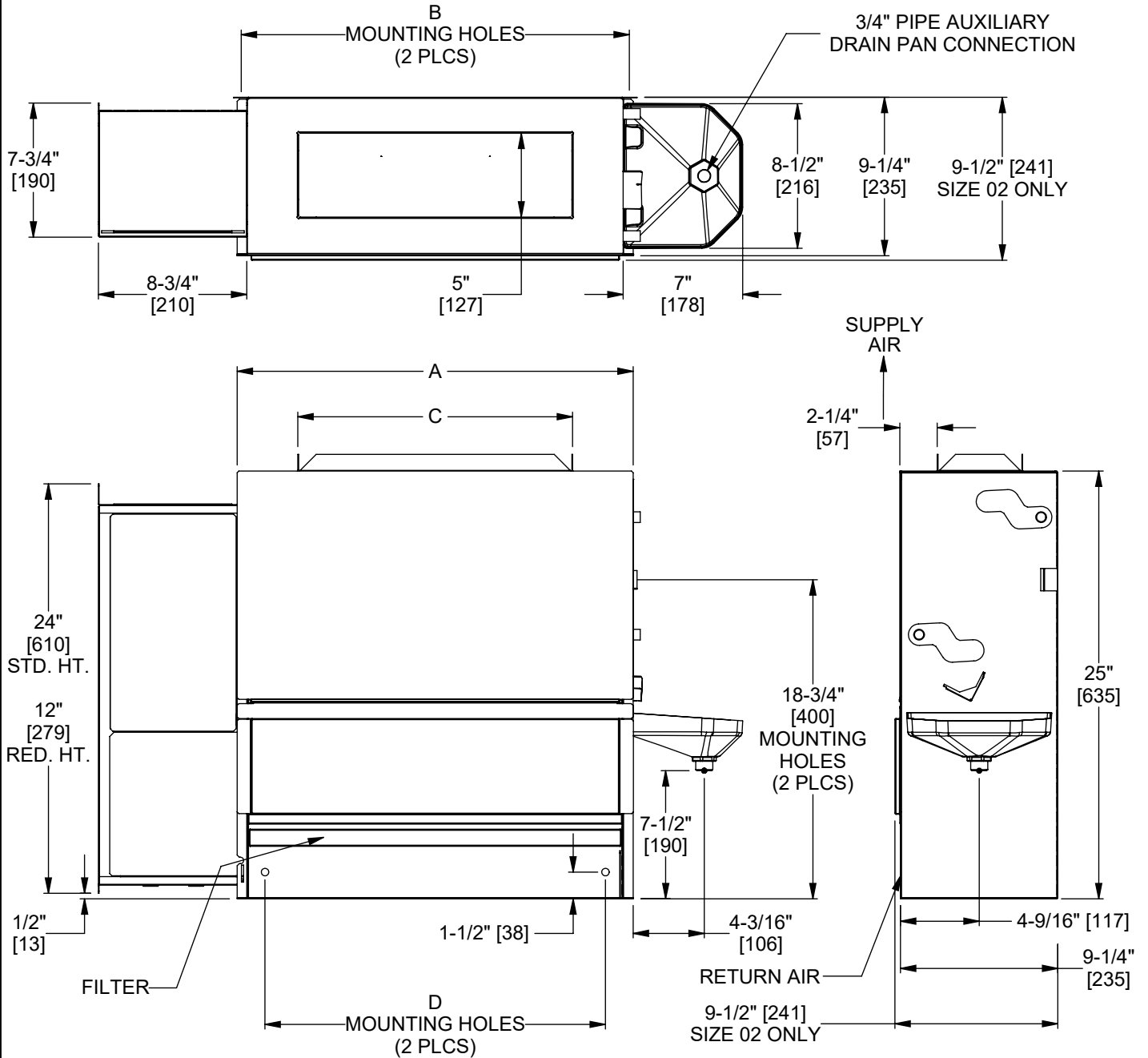


NOTES

1. All dimensions are in inches [millimeteres]. All dimensions are $\pm 1/4"$ [6mm]. Metric valves are soft conversion.
2. Junction box size and location varies w/ unit features. Control options may be limited. Provide sufficient clearance to access electrical controls and comply w/ applicable codes and ordinances.. Reduced height control enclosure is standard with opposite end coils.
3. Right hand coil connection shown. Left hand unit similar but opposite.
4. Some piping package options may require extended drain pans.

UNIT MODEL	Dimensions			
	A	B	C	D
VFC02	23-3/16" [589]	22-3/4 [578]	16" [406]	20" [508]
VFC03	27-3/16" [691]	26-3/4 [679]	20" [508]	24" [610]
VFC04	33-3/16" [843]	32-3/4 [832]	26" [660]	30" [762]
VFC06	43-3/16" [1097]	42-3/4 [1086]	36" [914]	40" [1016]
VFC08	45-3/16" [1148]	44-3/4 [1137]	38" [965]	42" [1067]
VFC10	59-3/16" [1503]	58-3/4 [1492]	52" [1320]	56" [1422]
VFC12	67-3/16" [1707]	66-3/4 [1695]	60" [1524]	64" [1626]



UNCONTROLLED WHEN PRINTED



THIS DRAWING CONTAINS PROPRIETARY DATA. UNAUTHORIZED DISCLOSURE, REPRODUCTION, OR USE IS STRICTLY PROHIBITED WITHOUT WRITTEN PERMISSION.

SUBMITTAL DRAWING
ALL DRAWINGS ARE SUBJECT TO CHANGE WITHOUT PRIOR NOTICE

DO NOT SCALE DRAWING
DIMENSIONS ARE IN INCH (MM) FORMAT
+/- 1/8 [3] UNLESS OTHERWISE NOTED

TITLE: **MODEL VFC FAN COIL UNIT
CONCEALED SERIES C**

DATE	SHEET	DRAWING NO	REV
09/16/22	PAGE 1 OF 1	51-80067	B