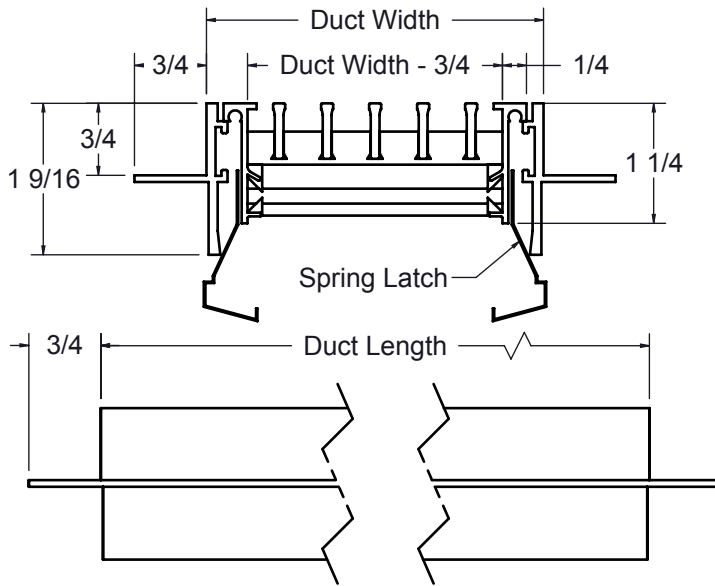
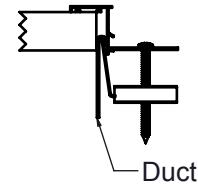


- Eight available core styles
- Extruded aluminum construction
- Size limitations are 6" x 2" minimum and 72" x 24" maximum for single piece
- Sizes available in 1/2" increments
- Core reinforcement option increases number of support bars to provide additional structural support
- Not recommended for ceiling without concealed mounting brackets
- Standard finishes available are white (WH) and mill (ML)

Accessories

CMB - Concealed Mounting Brackets
 (Spring Latch not included, not available on Core A0/A1; max width available is 12")



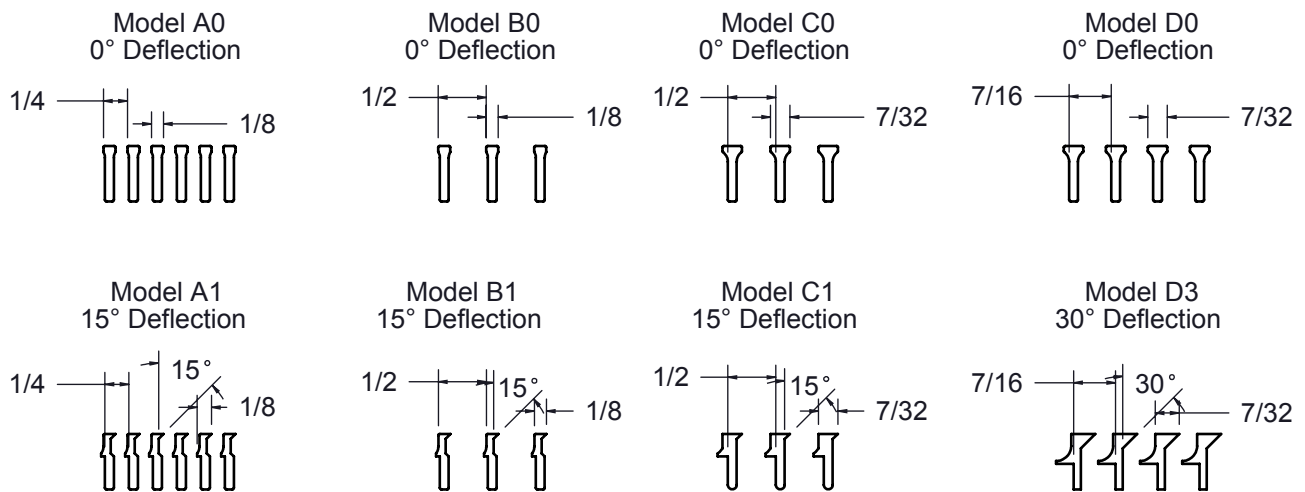
Options

Standard
 Core Reinforced

Finishes

WH - White
 ML - Mill
 AP - Aluminum Paint
 OW - Off-White
 FB - Flat Black
 MP - Match Paint
 CA - Clear Anodized

Available Cores



Dimensions in inches

Job: _____
 Location: _____
 Architect: _____
 Engineer: _____
 Contractor: _____

Tag: _____
 Submitted By: _____
 SD - 2075 Rev: D (02/11)

4000 Linear Diffuser
Mounting Style 1SL,
1/4" Frame
(Requires 025 Margin)
Ceiling, Sidewall & Sill App.