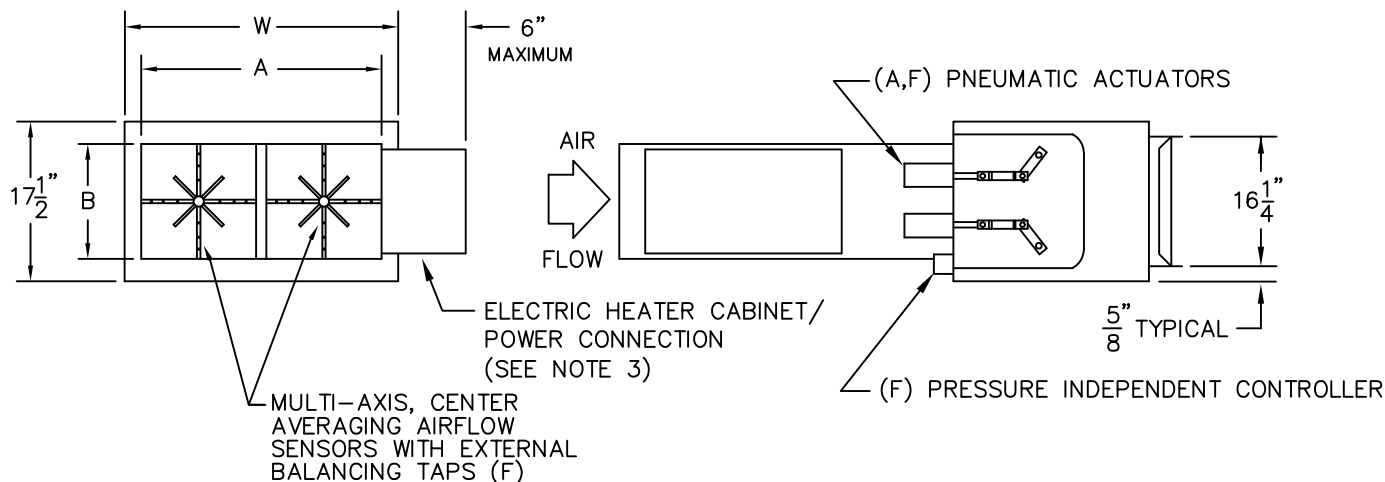
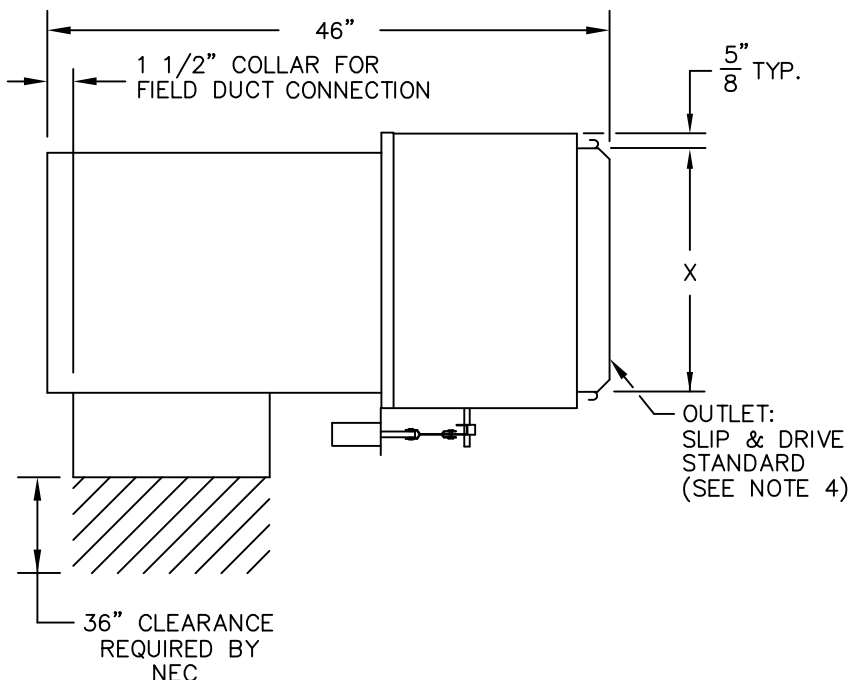


DIMENSIONAL DATA

UNIT SIZE	W	A	B	X
19	30 [762]	28-1/4 [718]	13-7/8 [352]	28-3/4 [730]
22	34 [864]	32-1/4 [819]	15-7/8 [403]	32-3/4 [832]

DOWNSTREAM Ps MUST BE 0.07 INCHES WATER GAUGE OR GREATER.



CONSTRUCTION NOTES:

- MATERIAL: Galvanized steel; Casing -22 gauge; Air valve casing -22 gauge.
- INSULATION: 1/2" thick fiberglass complying with NFPA 90-A and UL 181.
- POWER CONNECTION: Units have single point power connection for compatible voltages only. Non-compatible voltages require two separate connections.
- INSTALLATION: A) If internal insulation is utilized in the downstream ductwork, the insulation must be secured in such a manner that no raw insulation edges are exposed to the airstream.
 B) Inlet & Outlet collars should be externally insulated by others (in the field) if required.
 C) Minimum of 1 1/2 equivalent duct diameters of straight inlet duct required to assure proper heater operation.

NOTE: All drawings subject to change without prior notice.

(A) PRESSURE DEPENDENT - SERIES SD000

(F) PRESSURE INDEPENDENT - SERIES SD400

TITLE: MODEL SDR-EH SINGLE DUCT
 TERMINAL UNIT - SZ 19 & 22
 PNEUMATIC CONTROLS



DRN BY: CV	DATE: 04/04/92	SCALE: N/A	DRAWING NO.
CKD BY: Chris H	DATE: 06/23/06	REV: 04	15370