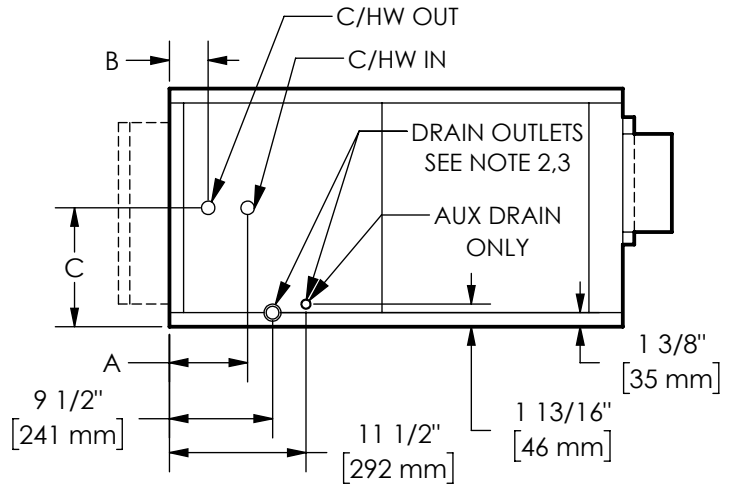
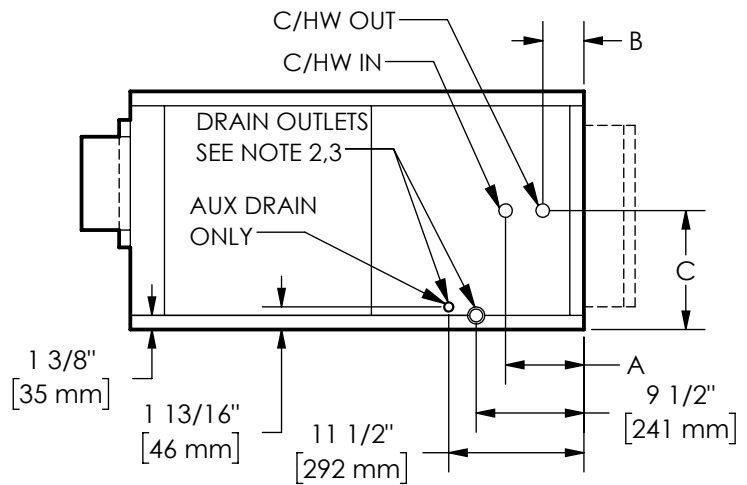


6 ROWS WATER COIL CONNECTION LOCATION

Type	No. of Rows	Unit Size	No. of Circuits	Conn. Size (OD)	
Water	6	08	3	7/8"	
			6		
			9		
			12		4
					6
					9
		16	4	1-1/8"	
			6		
			9		
			12		
		20	6	7/8"	
			10	1-1/8"	
			14	1-3/8"	
		30	8	1-1/8"	
			9		
			16	1-3/8"	
			24	1-5/8"	
		40	9	1-1/8"	
18	1-5/8"				
27	2-1/8"				



RIGHT HAND CONNECTION



LEFT HAND CONNECTION

NOTES:

- All dimensions are Inches [millimeters]. All dimensions are $\pm 1/2"$ [13mm]. Metric values are soft conversion.
- Standard galvanized IAQ drain pan has 1-1/8" ODM copper connection on one side.
- SS IAQ drain pan has 1" stainless Sch.40 threaded steel connection on one side only. Optional Aux connection is 3/8" stainless Sch. 40 threaded steel.
- All connections are ODM copper sweat unless otherwise noted.
- Field piping should be based on job requirements, not unit connection size.

No. of Rows	Unit Size	Dimensions		
		A	B	C
6	08	9-1/4" [236]	3-7/8" [98]	10-1/2" [267]
	12			
	16			
	20			
	30			14-7/8" [379]
	40			



THIS DRAWING CONTAINS PROPRIETARY DATA. UNAUTHORIZED DISCLOSURE, REPRODUCTION, OR USE IS STRICTLY PROHIBITED WITHOUT WRITTEN PERMISSION.

SUBMITTAL DRAWING
ALL DRAWINGS ARE SUBJECT TO CHANGE WITHOUT PRIOR NOTICE

DO NOT SCALE DRAWING
DIMENSIONS ARE IN INCH (MM) FORMAT +/- 1/8 (3) UNLESS OTHERWISE NOTED

TITLE:

WATER COIL CONNECTIONS

HORIZONTAL UNIT: 6R SINGLE WATER COIL

DATE

01/15/25

SHEET

PAGE 1 OF 1

DRAWING NO

35-80053

REV

A