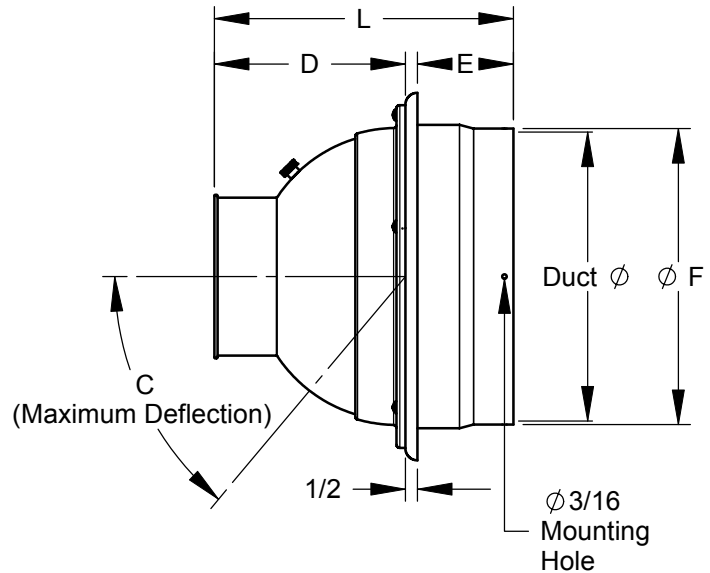
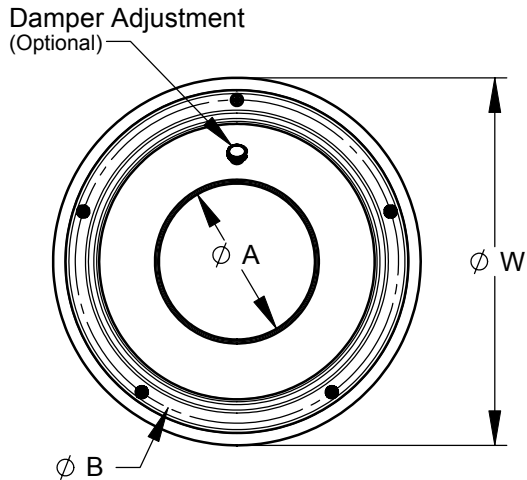
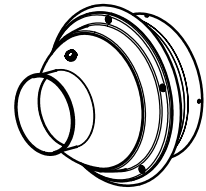


- Solid aluminum construction (spun)
- Mounts over end of spiral duct
- Felt gasket seal between nozzle and frame
- Closed cell (or felt) installation gasket between frame and wall
- Standard clear anodized finish
- Optional Sliding Plate Damper (shown)



Size	Duct ϕ	W	L	A	B	C	D	E	F
6	6	8 3/8	5 11/16	2 15/16	6 13/16	42°	3 11/16	1 1/2	6 1/4
7	7	10 1/8	6 7/8	3 9/16	8 3/8	42°	4 3/8	2	7 1/4
8	8	11 7/8	7 2/8	3 15/16	9 1/8	42°	4 3/4	2	8 1/4
10	10	13 3/4	10 7/8	5 1/2	12	40°	6 7/8	3 1/2	10 1/4
12	12	15 5/16	12 3/8	6 1/2	13 1/2	38°	7 7/8	4	12 1/4
16	16	19 1/2	15 1/4	9 1/16	17 3/4	40°	9 3/4	5	16 1/4
18	20	22 1/16	17 1/8	10 1/4	20 1/8	38°	11 5/8	5	20 1/4
20	20	22 1/16	17 1/8	12 1/4	20 1/8	34°	11 5/8	5	20 1/4

Options

Sliding Plate Damper

Dimensions in inches

Job: _____	Tag: _____	DJ Spot Diffuser Combination Mount (CM)
Location: _____	Submitted By: _____	
Architect: _____		
Engineer: _____		
Contractor: _____	SD-2025 Rev: A (06/07)	