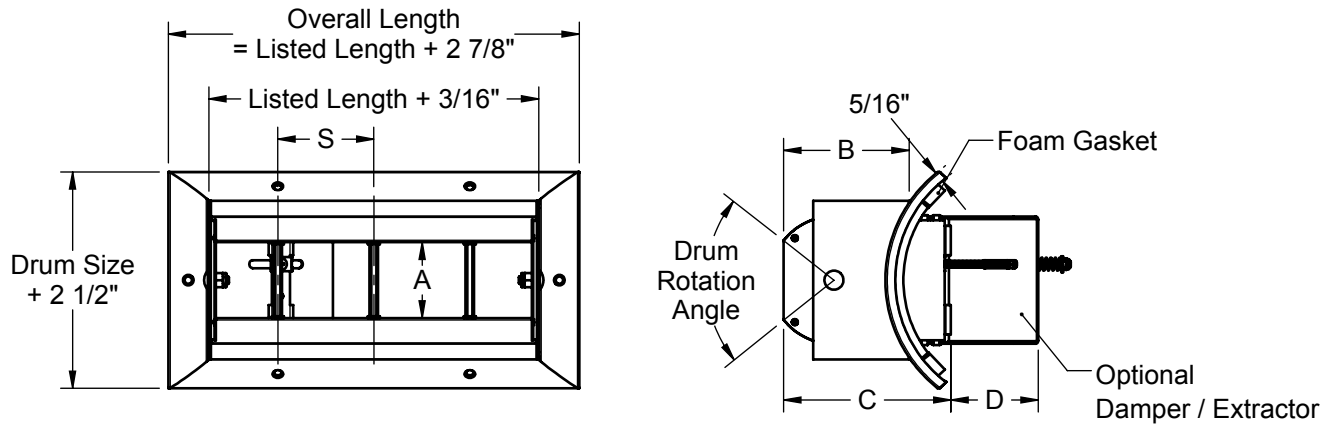
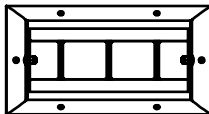


- SDSTRJ single throw / SDMTRJ multiple throw
- Extruded aluminum construction
- Curved frame for round or spiral duct mounting, available in variable duct diameters in 2" increments
- Rotating drum and pivoting blades allow for adjustable horizontal and vertical throw direction
- Felt seal provides a positive seal between frame and barrel
- Available lengths are 12", 18", 24", 30", 36", 42", 48", and 60" for each drum size
- **Recommended duct opening should be listed width plus 1/2" and listed height plus 1/2"**
- Optional damper / extractor available (DMPX)

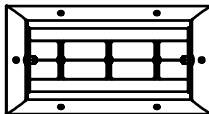


Drum Size	Duct Diameter		S (Standard Spacing)	A	B	C	D (Max)	Drum Rotation Angle (Degrees)	
	Min	Max						Damper	No Damper
4	8	36	3	2 3/8	3 15/16	5 1/16	3 3/8	N/A	30
6	10	36		3 3/8	4 3/16	5 5/16	4 1/16	19	27
8	14	36		4 3/8	5 5/8	6 3/4	5 3/8	18	26
10	14	36	5	5 7/8	7 1/8	8 1/4	6 11/16	27	27
12	18	36		6 7/8	7 13/16	8 15/16	8	26	26
15	28	36		9 13/16	8 7/16	9 1/2	10 11/16	27	27

SDSTRJ
Single Vane



SDMTRJ
Split Vane



Options

Single Deflection (SDSTRJ)
Split Vane (SDMTRJ)

Finishes

WH - White (Standard)
AP - Aluminum Paint
FP - Flat Black

Accessories

Damper / Extractor

Dimensions in inches

Job: _____
Location: _____
Architect: _____
Engineer: _____
Contractor: _____

Tag: _____
Submitted By: _____
SD - 2266 Rev: C (03/21)

SDSTRJ / SDMTRJ
Drum Louver for Radiused
Spiral Duct Mount
Single and Split Vane