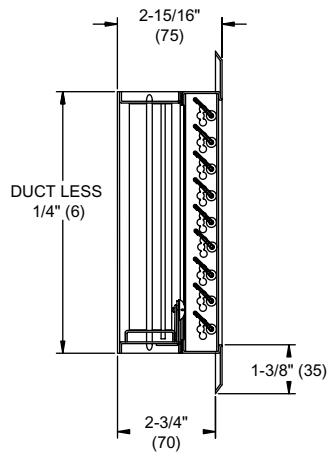
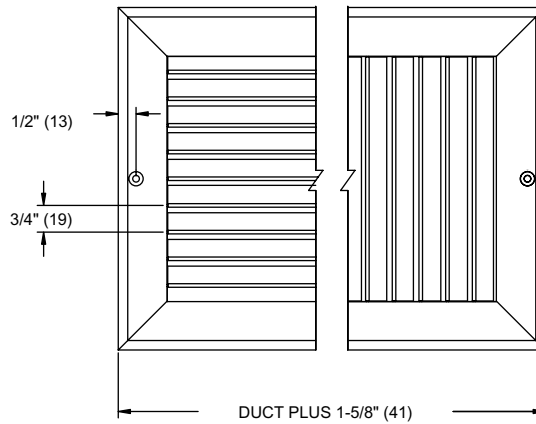


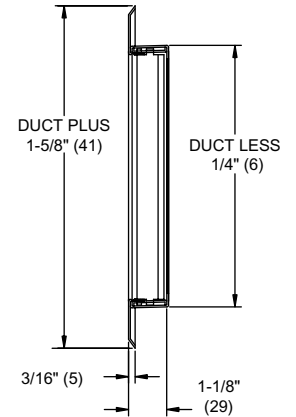
- Fixed Blades at 45° or 0° deflection (factory set)
- Standard construction is 304 stainless steel
- Optional 316 stainless steel construction is available
- Optional SSOBD (stainless steel opposed blade damper) is factory mounted
- Standard finish is satin polish (SP)
- Optional white paint finish is available



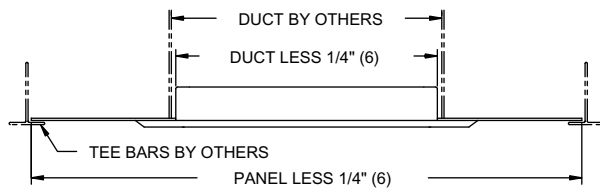
**T70DSS
w/SSOBD Shown**



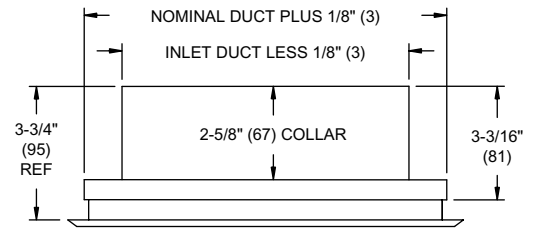
SF Frame (Surface Mount) Detail



**T80DSS
Shown**

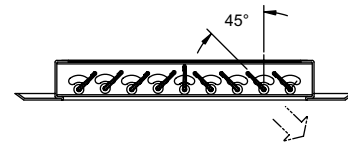


LT Frame (Lay-In T-Bar) Detail

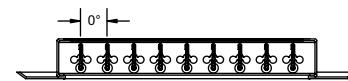


SRSS (Square to Round) Detail

T70SS: Horizontal Blades at 0° deflection
 T80SS: Vertical Blades at 0° deflection
 T70DSS: Horizontal Blades at 45° deflection
 T80DSS: Vertical Blades at 45° deflection



Blade Detail - 45° Deflection



Blade Detail - 0° Deflection

Dimensions are in inches. Product information subject to change without notice.

PROJECT:	SUBMITTED BY:	DATE: 4/02/01	SD - 1794
ARCHITECT:		T70SS, T70DSS T80SS, T80DSS Stainless Steel Fixed Bar Return Grille	
ENGINEER:			
CONTRACTOR:			
LOCATION:			