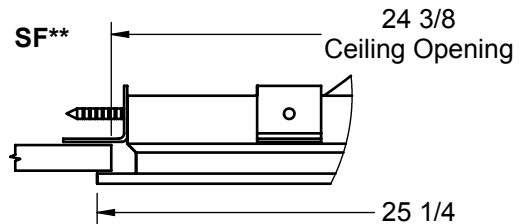
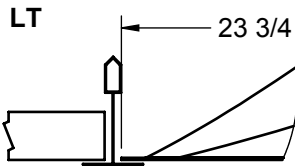
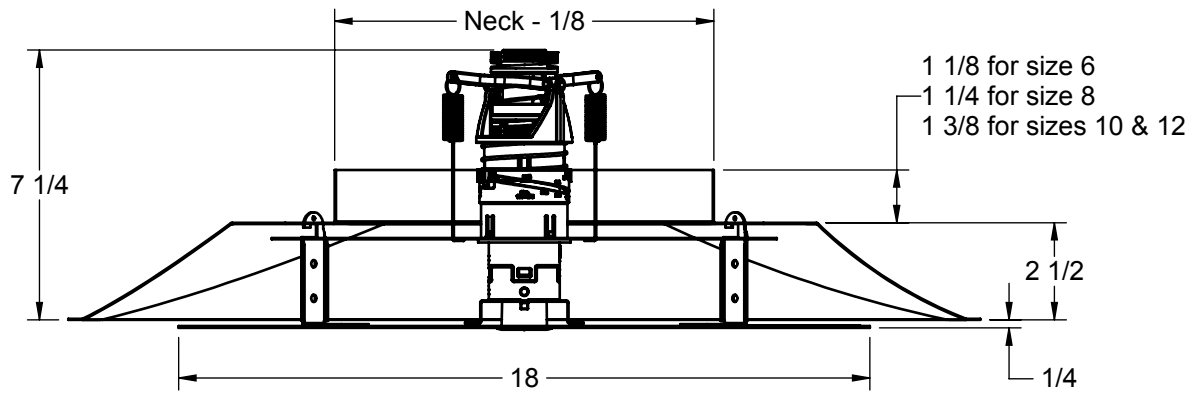
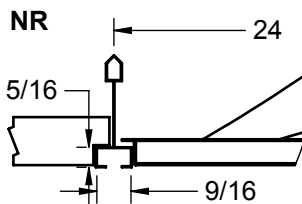
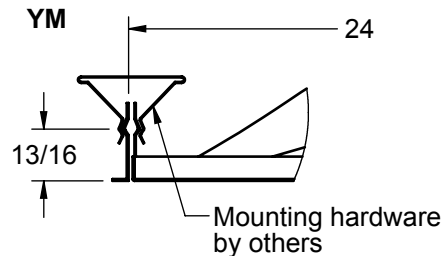
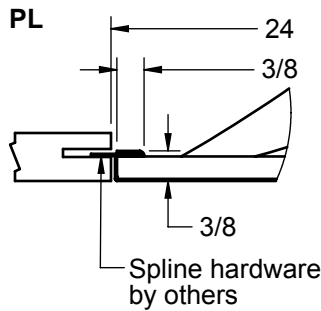


- Steel construction
- Reliable Thermo-Disc responds to changes in sensed temperature and alters position with no power required
- AHRI certified performance
- Fully self contained with no routine maintenance; control mechanism can be removed from below quickly
- Accessories include relief ring option (see SD-2224) and directional baffles (see SD-2225)
- Standard finish is white (WH)



** For SF applications, a separate trim frame ships with a LT diffuser



Dimensions in inches

Job: _____	Tag: _____	VTD Thermal VAV Diffuser
Location: _____	Submitted By: _____	
Architect: _____	SD - 2223 Rev: A (02/15)	
Engineer: _____		
Contractor: _____		