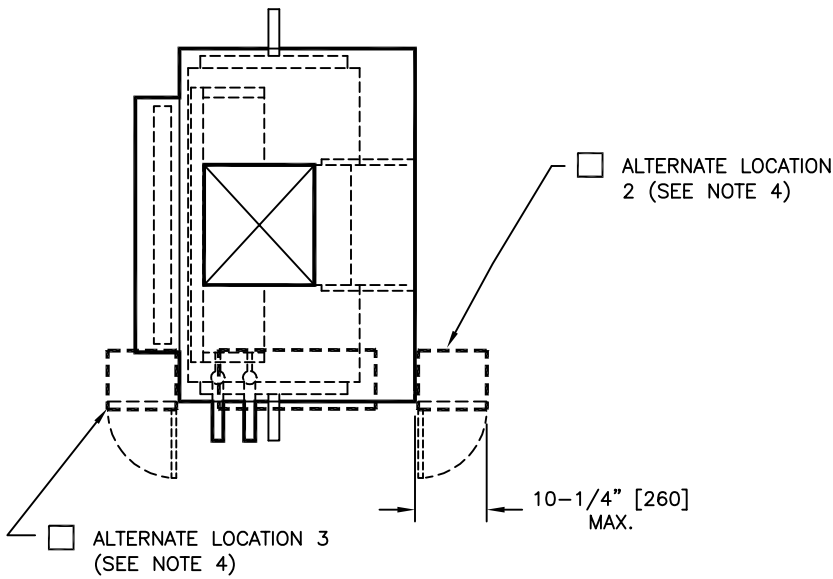
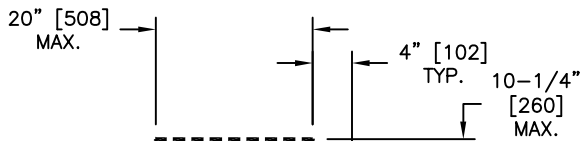
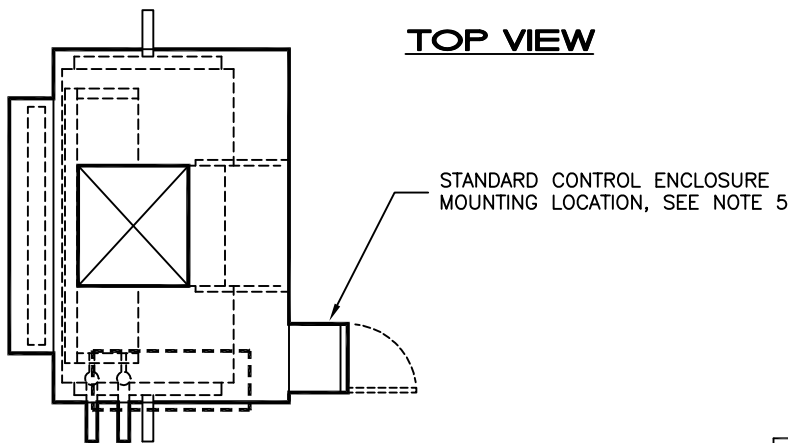


NOTES:

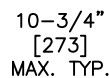
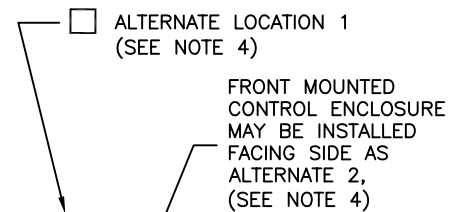
1. All dimensions are Inches [millimeters]. All dimensions are $\pm 1/4"$ [6mm]. Metric values are soft conversion.
2. Right hand unit shown, left hand unit opposite. Motor/drive location may be specified Left or Right Hand. Standard control enclosure location matches motor/drive position.
3. Provide sufficient clearance to permit access to controls and comply with applicable codes and ordinances.
4. Enclosure may overhang unit cabinet up to $1/2"$ [13].
5. Enclosure cover hinging direction may vary.
6. Model V unit shown, typical for vertical MQL units.



TOP VIEW



SIDE VIEW



FRONT VIEW

TITLE:

SPECIAL FEATURE #1448
VERTICAL AHU, HINGED COVER
CONTROL ENCLOSURE MOUNTING
ALTERNATE LOCATIONS



DRN BY: JCR	DATE: 5/13/04	SCALE: 1=20	DRAWING NO.
CKD BY: DPB	DATE: 4/21/09	REV: 01	

70-37-012

THIS DRAWING CONTAINS PROPRIETARY DATA. UNAUTHORIZED DISCLOSURE, REPRODUCTION, OR USE IS STRICTLY PROHIBITED WITHOUT WRITTEN PERMISSION

DO NOT SCALE DRAWING
DIMENSIONS AND DATA ARE SUBJECT TO CHANGE WITHOUT NOTICE.
CONTACT FACTORY FOR CERTIFIED DRAWINGS.