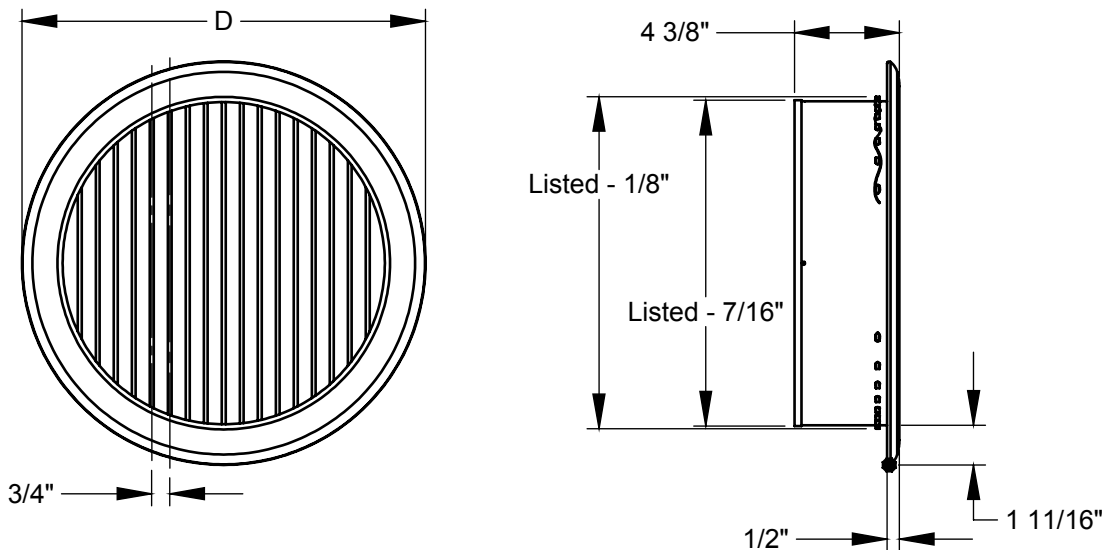




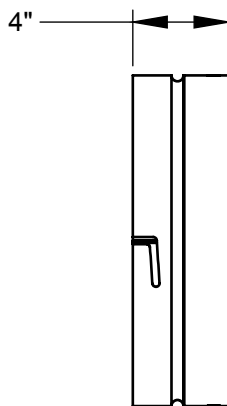
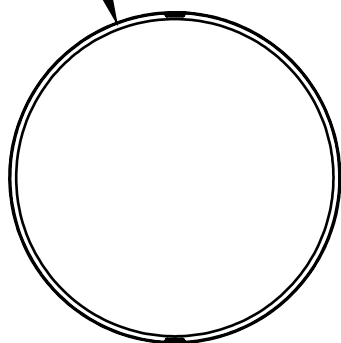
PRODUCT DIMENSIONS

RA50



Duct Mounting Ring Accessory

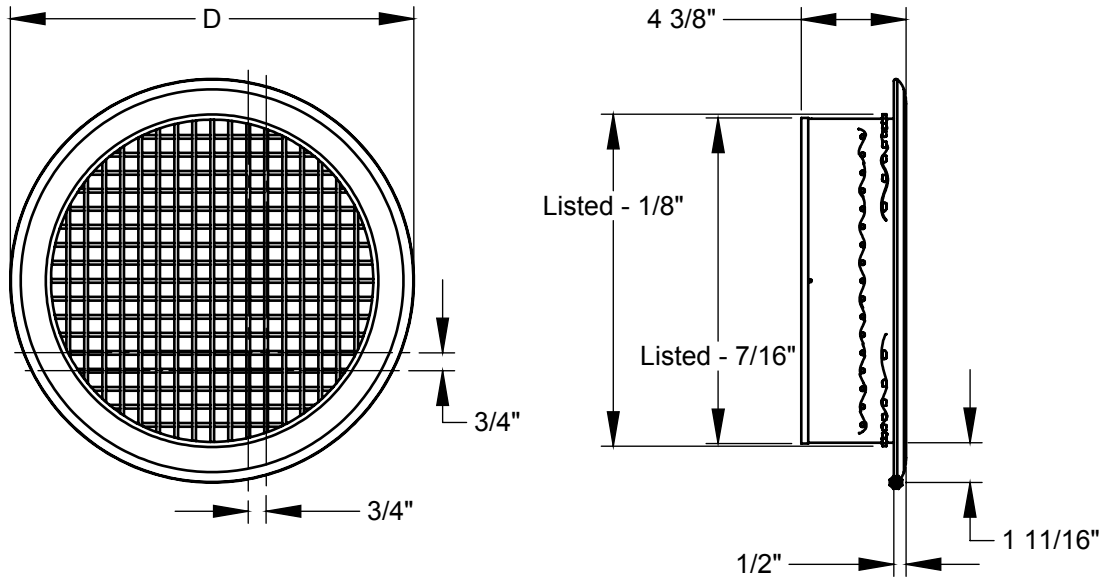
$D + 1/16"$





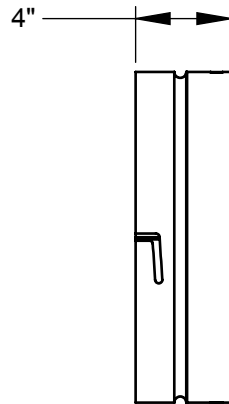
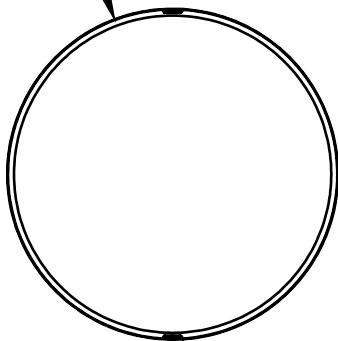
PRODUCT DIMENSIONS

RA54



Duct Mounting Ring Accessory

$D + 1/16$ "



Grilles &
Registers