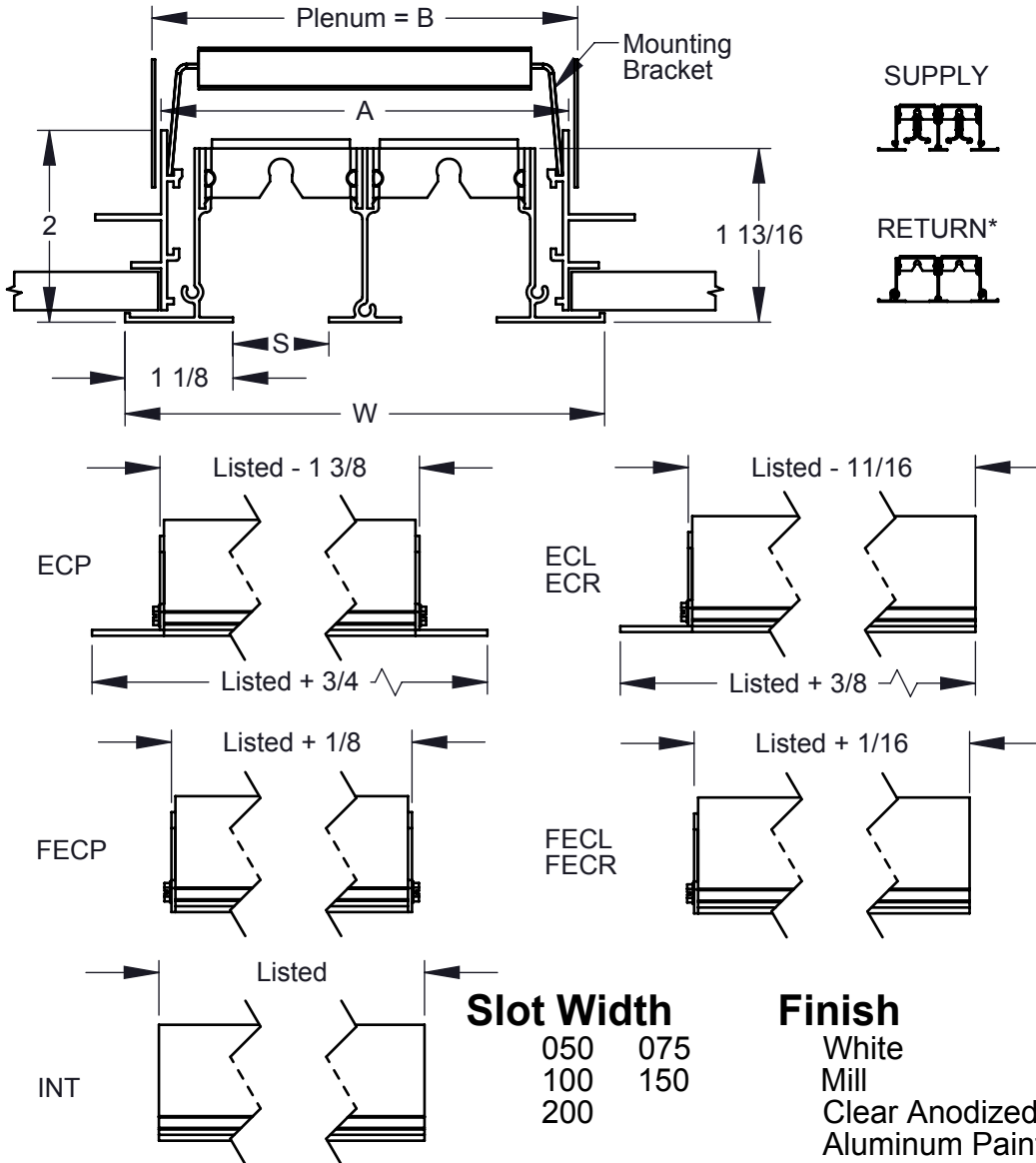


- Extruded aluminum construction
- Available slot widths are 1/2", 3/4", 1", 1 1/2", and 2"
- Available for 1 thru 8 slots for slot widths 1/2"-1", 1 thru 4 slots for 1 1/2"-2"
- Maximum single piece length is 72" (longer units will ship as multiple sections)
- Standard finish is painted white margins with black pattern controllers
- Field cut frame to desired length



050 (1/2" slot width)			
# Slots	W	A	B
1	2 3/4	2	2 3/16
2	4	3 1/4	3 7/16
3	5 1/4	4 1/2	4 11/16
4	6 1/2	5 3/4	5 15/16
5	7 3/4	7	7 3/16
6	9	8 1/4	8 7/16
7	10 1/4	9 1/2	9 11/16
8	11 1/2	10 3/4	10 15/16

075 (3/4" slot width)			
# Slots	W	A	B
1	3	2 1/4	2 7/16
2	4 1/2	3 3/4	3 15/16
3	6	5 1/4	5 7/16
4	7 1/2	6 3/4	6 15/16
5	9	8 1/4	8 7/16
6	10 1/2	9 3/4	9 15/16
7	12	11 1/4	11 7/16
8	13 1/2	12 3/4	12 15/16

100 (1" slot width)			
# Slots	W	A	B
1	3 1/4	2 1/2	2 11/16
2	5	4 1/4	4 7/16
3	6 3/4	6	6 3/16
4	8 1/2	7 3/4	7 15/16
5	10 1/4	9 1/2	9 11/16
6	12	11 1/4	11 7/16
7	13 3/4	13	13 3/16
8	15 1/2	14 3/4	14 15/16

150 (1 1/2" slot width)			
# Slots	W	A	B
1	3 3/4	3	3 3/16
2	6	5 1/4	5 7/16
3	8 1/4	7 1/2	7 11/16
4	10 1/2	9 3/4	9 15/16

200 (2" slot width)			
# Slots	W	A	B
1	4 1/4	3 1/2	3 11/16
2	7	6 1/4	6 7/16
3	9 3/4	9	9 3/16
4	12 1/2	11 3/4	11 15/16

\*NOTE: Return option not available for 1 1/2" and 2" slot widths

Dimensions in inches

Job: _____	Tag: _____	<b>6000</b> <b>Slot Diffuser</b> <b>"F" Margin</b>
Location: _____	Submitted By: _____	
Architect: _____		
Engineer: _____		
Contractor: _____	SD - 2113	Rev: D (11/12)