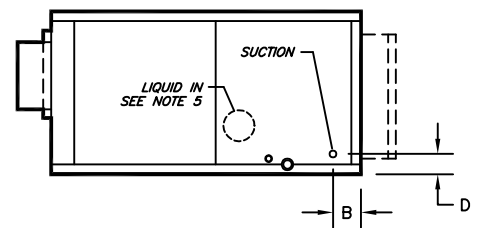
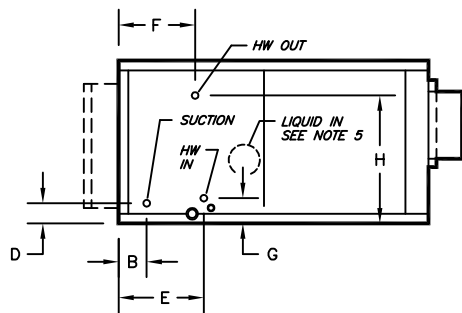


RIGHT HAND

R-410 COOLING ONLY



LEFT HAND

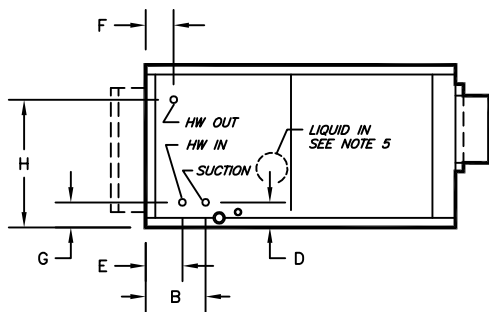
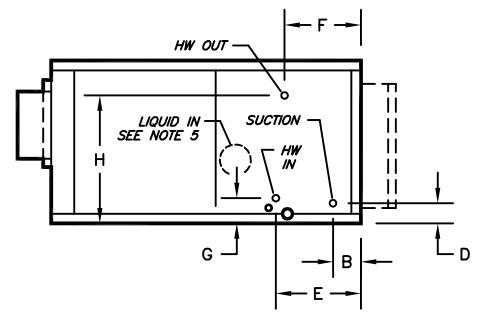


RIGHT HAND

HW HEATING + R-410 COOLING

LEFT HAND

HW COIL IN RE-HEAT POSITION

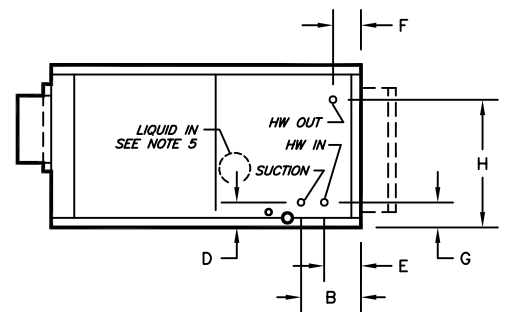


RIGHT HAND

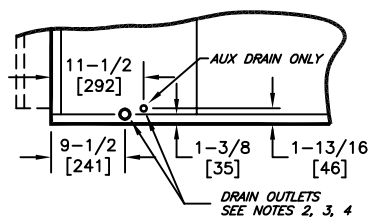
HW HEATING + R-410 COOLING

LEFT HAND

HW COIL IN PRE-HEAT POSITION



TYPICAL DRAIN LOCATIONS



NOTES:

- All dimensions are inches [millimeters]. All dimensions are $\pm 1/2"$ [13mm]. Metric values are soft conversion.
- Standard galvanized IAQ drain pan has 1-1/8" ODM copper connection on one side.
- Stainless Steel IAQ drain pan has 1" stainless Sch. 40 threaded steel connection on one side only. Optional Aux connection is 3/8" stainless sch. 40 threaded steel.
- Horizontal unit shown. Coil connection locations are typical for vertical units relative to lower bottom corner at entering air side.
- Connection at refrigerant distributor is internal to allow proper installation of expansion valve.

TITLE:

BLOWER COIL UNIT
WATER HEATING & R-410 SGL CKT CLG COIL
COIL CONNECTION LOCATION



DRN BY: WRG	DATE: 12/03/19	SCALE: 1=22	DRAWING NO.
CKD BY: TW	DATE: 12/03/19	REV: A	

CCC-003

THIS DRAWING CONTAINS PROPRIETARY DATA. UNAUTHORIZED DISCLOSURE, REPRODUCTION, OR USE IS STRICTLY PROHIBITED WITHOUT WRITTEN PERMISSION

DO NOT SCALE DRAWING. DIMENSIONS AND DATA ARE SUBJECT TO CHANGE WITHOUT NOTICE. CONTACT FACTORY FOR CERTIFIED DRAWINGS.