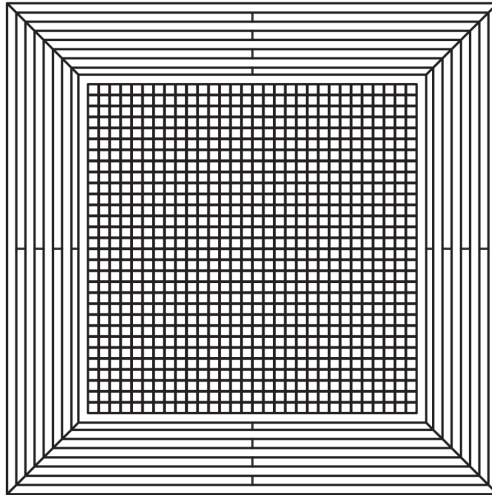
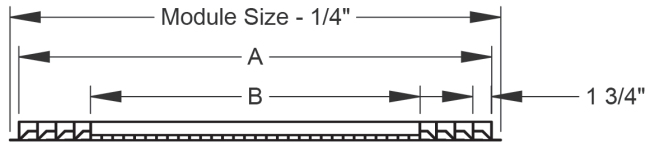




PRODUCT DIMENSIONS

DSR



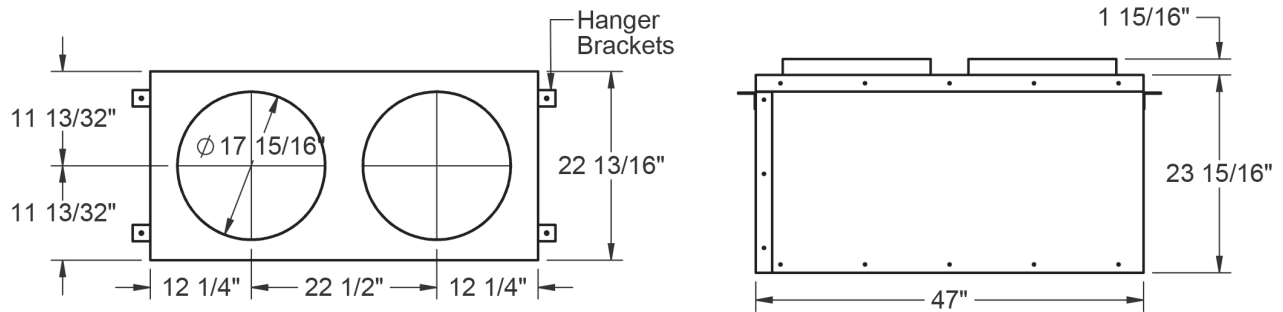
Module Size	Nominal Tonnage	Supply Duct, A	Return Duct, B	Supply Slot Number
48x24	2 1/2 - 5	46 3/4 x 22 3/4	36 1/8 x 12 1/8	3
48x36	6 - 10	46 3/4 x 34 3/4	32 11/16 x 20 11/16	4
48x48	10 - 15	46 3/4 x 46 3/4	29 1/8 x 29 1/8	5
60x60	15 - 25	58 3/4 x 58 3/4	37 11/16 x 37 11/16	6



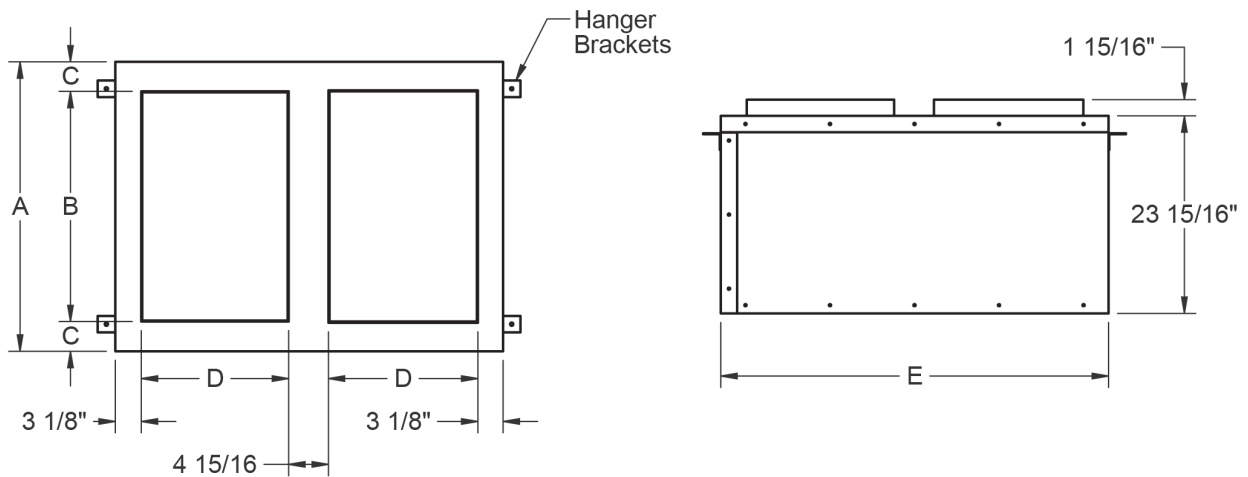
PRODUCT DIMENSIONS

DSR-P

Plenum Dimensions - 48x24



Plenum Dimensions - Other Sizes



Module Size	A	B	C	D	E
48x36	35	27 $\frac{7}{8}$	3 $\frac{9}{16}$	17 $\frac{7}{8}$	47
48x48	47	35 $\frac{7}{8}$	5 $\frac{9}{16}$	17 $\frac{7}{8}$	47
60x60	59	47 $\frac{7}{8}$	5 $\frac{9}{16}$	23 $\frac{7}{8}$	59