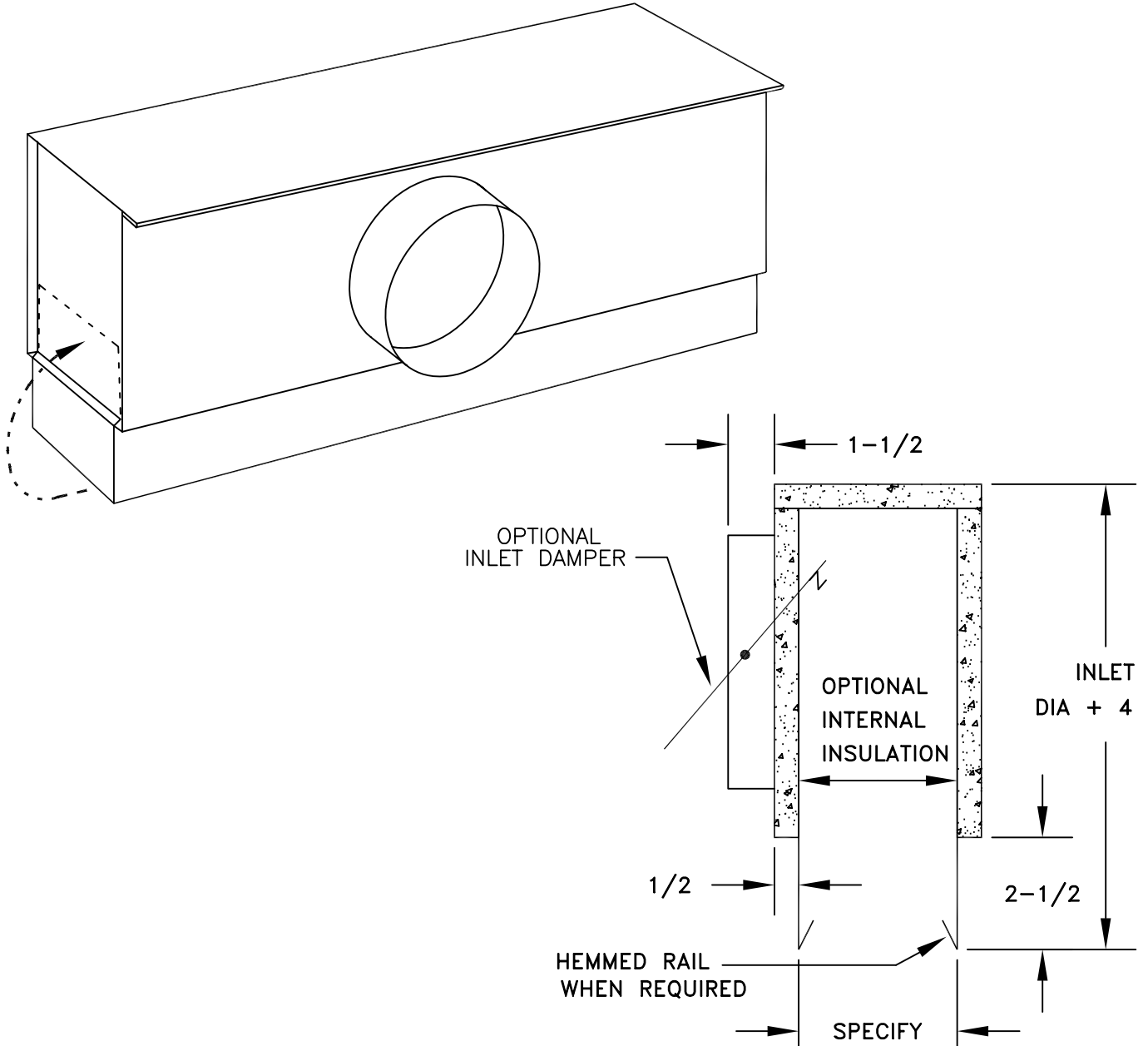


Tuttle & Bailey SUBMITTAL DRAWING

- MATERIAL: 24 GAUGE GALVANNEALED STEEL
- UNIVERSAL END CAP: LOWER PORTION OF END CAP MAY BE FOLDED UP FOR CONTINUOUS APPLICATIONS WITHOUT DIFFUSER OR GRILLE DAMPER INTERFERENCE
- DESIGNED TO FIT TUTTLE & BAILEY LINEAR BAR GRILLES, SLOT AND STRIPLINE® DIFFUSERS
- AVAILABLE IN LENGTHS FROM 12 in TO 72 in
- INLET SIZES: 5 in TO 12 in ROUND DIAMETER
- OVALS ARE ALSO AVAILABLE
- INLET DAMPER AVAILABLE
- INTERNAL INSULATION AVAILABLE
- PLENUMS ARE ALSO AVAILABLE FOR SPECIAL APPLICATIONS. CONTACT FACTORY



JOB NAME: _____
 LOCATION: _____
 ARCHITECT: _____
 ENGINEER: _____
 CONTRACTOR: _____

SUBMITTED BY: _____

DATE: 12/3/99 SD-1351

DP SERIES
 Distribution Plenums