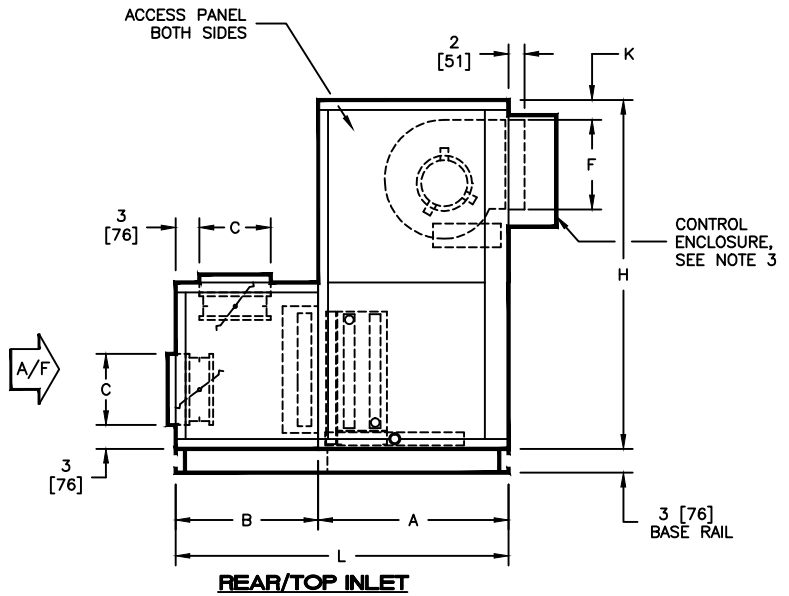
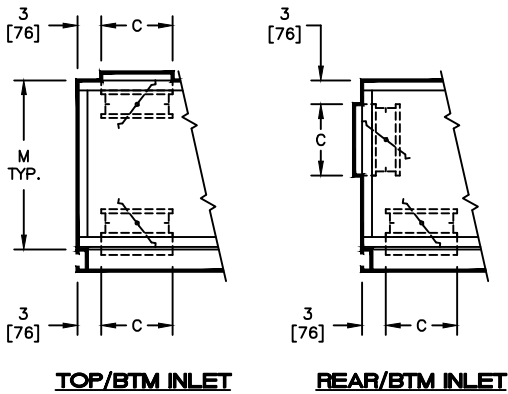
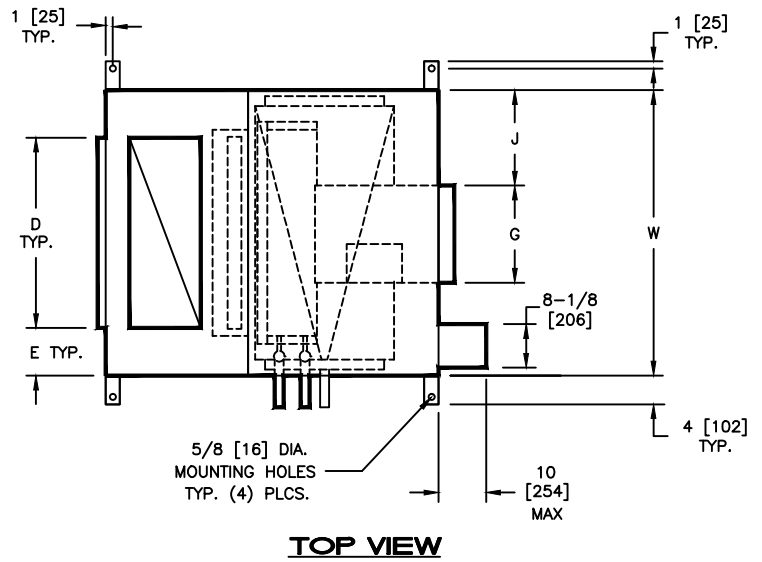


**NOTES:**

1. All dimensions are Inches [millimeters].  
All dimensions are  $\pm 1/4"$  [6mm]. Metric values are soft conversion.
2. Right hand unit shown, left hand unit opposite. Motor/drive location may be specified Left or Right Hand. Standard control enclosure location matches motor/drive position.
3. Provide sufficient clearance to permit access to controls and comply with applicable codes and ordinances.
4. See drawing FR-001 for filter rack details.
5. Outside and return air damper linkage is optional.
6. See coil connection detail drawings for coil connection sizes and locations.
7. High efficiency filter rack not available with mixing box.



**SIDE VIEWS**

**DIMENSIONS**

SIZE	FAN SIZE	L	W	H	A	B	C	D	E	F	G	J	K	M
08	9 X 6 [229 X 152]	42 [1067]	30 [762]	44 [1118]	24 [610]	18 [457]	9 [229]	18 [457]	6 [152]	10-3/8 [264]	8-3/8 [213]	10-7/8 [276]	2 [51]	21 [533]
12	9 X 6 [229 X 152]	42 [1067]	36 [914]	44 [1118]	24 [610]	18 [457]	9 [229]	24 [610]	6 [152]	10-3/8 [264]	8-3/8 [213]	13-7/8 [352]	2 [51]	21 [533]
16	10 X 8 [254 X 203]	42 [1067]	44 [1118]	44 [1118]	24 [610]	18 [457]	9 [229]	30 [762]	7 [178]	11-1/2 [292]	10-5/8 [270]	16-3/4 [425]	2 [51]	21 [533]
20	10 X 8 [254 X 203]	51 [1295]	50 [1270]	50 [1270]	30 [762]	21 [533]	12 [305]	36 [914]	7 [178]	11-1/2 [292]	10-5/8 [270]	19-3/4 [502]	2 [51]	21 [533]
30	10 X 8 [254 X 203]	51 [1295]	59 [1499]	56 [1422]	30 [762]	21 [533]	12 [305]	45 [1143]	7 [178]	11-1/2 [292]	10-5/8 [270]	24-1/4 [629]	5-1/2 [140]	30 [762]
40	10 X 8 [254 X 203]	54 [1372]	68 [1727]	59 [1499]	30 [762]	24 [610]	15 [381]	48 [1219]	10 [254]	11-1/2 [292]	10-5/8 [270]	28-3/4 [730]	5-1/2 [140]	30 [762]

TITLE:

MODEL VDD  
DIRECT DRIVE BLOWER COIL UNIT  
BASIC UNIT - DISCHARGE ARGT. 3  
W/ MIXING BOX



DRN BY: IEC	DATE: 4/18/18	SCALE: NTS	DRAWING NO.  37-80023
CKD BY: CV	DATE: 04/18/18	REV: 00	

THIS DRAWING CONTAINS PROPRIETARY DATA.  
UNAUTHORIZED DISCLOSURE, REPRODUCTION, OR USE  
IS STRICTLY PROHIBITED WITHOUT WRITTEN PERMISSION

DO NOT SCALE DRAWING  
DIMENSIONS AND DATA ARE SUBJECT TO CHANGE WITHOUT NOTICE.  
CONTACT FACTORY FOR CERTIFIED DRAWINGS.