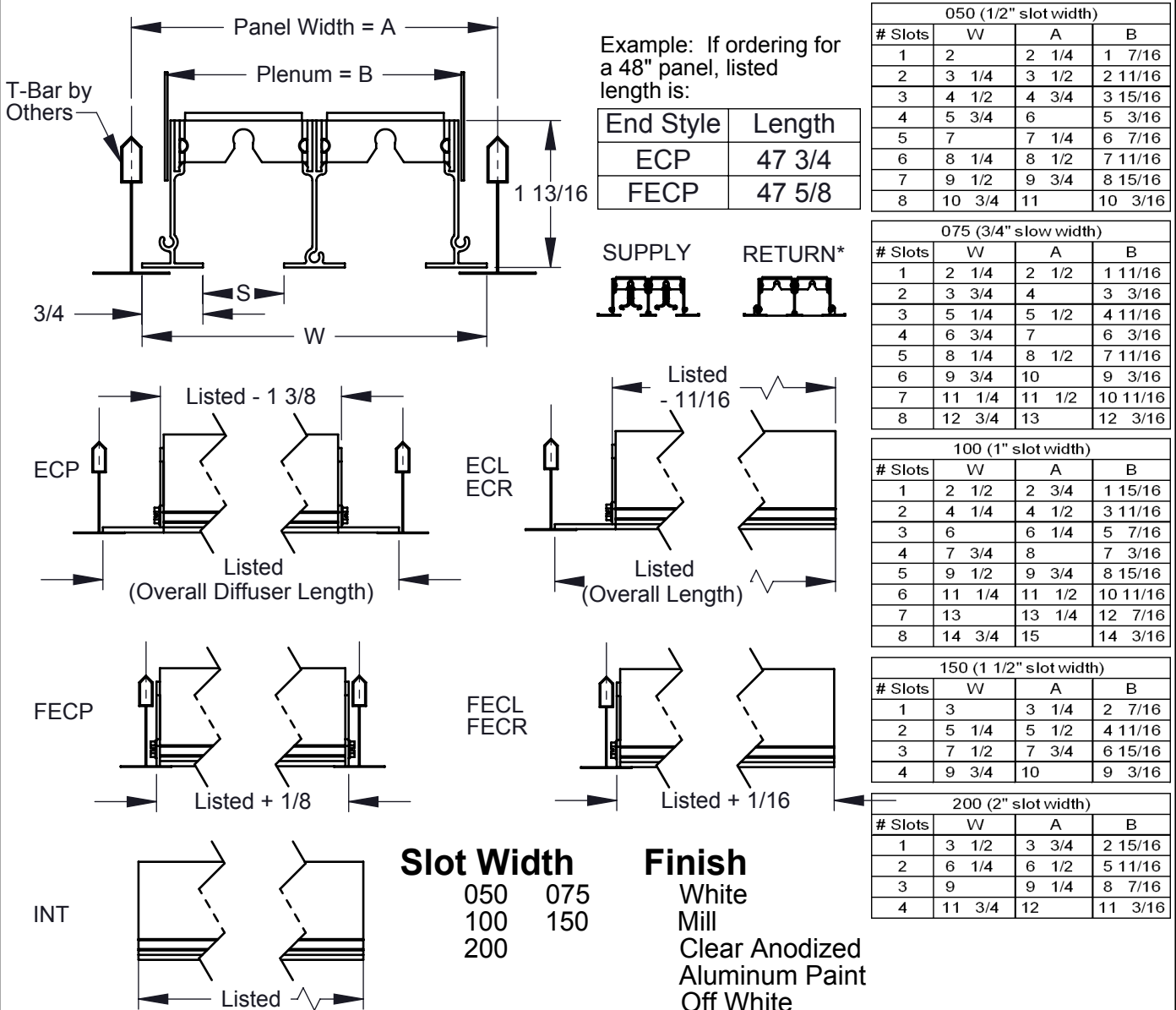


- Extruded aluminum construction
- Available slot widths are 1/2", 3/4", 1", 1 1/2", and 2"
- Available for 1 thru 8 slots for slot widths 1/2"-1", 1 thru 4 slots for 1 1/2"-2"
- Maximum single piece length is 72" (longer units will ship as multiple sections)
- Standard finish is painted white margins with black pattern controllers



050 (1/2" slot width)			
# Slots	W	A	B
1	2	2 1/4	1 7/16
2	3 1/4	3 1/2	2 11/16
3	4 1/2	4 3/4	3 15/16
4	5 3/4	6	5 3/16
5	7	7 1/4	6 7/16
6	8 1/4	8 1/2	7 11/16
7	9 1/2	9 3/4	8 15/16
8	10 3/4	11	10 3/16

075 (3/4" slot width)			
# Slots	W	A	B
1	2 1/4	2 1/2	1 11/16
2	3 3/4	4	3 3/16
3	5 1/4	5 1/2	4 11/16
4	6 3/4	7	6 3/16
5	8 1/4	8 1/2	7 11/16
6	9 3/4	10	9 3/16
7	11 1/4	11 1/2	10 11/16
8	12 3/4	13	12 3/16

100 (1" slot width)			
# Slots	W	A	B
1	2 1/2	2 3/4	1 15/16
2	4 1/4	4 1/2	3 11/16
3	6	6 1/4	5 7/16
4	7 3/4	8	7 3/16
5	9 1/2	9 3/4	8 15/16
6	11 1/4	11 1/2	10 11/16
7	13	13 1/4	12 7/16
8	14 3/4	15	14 3/16

150 (1 1/2" slot width)			
# Slots	W	A	B
1	3	3 1/4	2 7/16
2	5 1/4	5 1/2	4 11/16
3	7 1/2	7 3/4	6 15/16
4	9 3/4	10	9 3/16

200 (2" slot width)			
# Slots	W	A	B
1	3 1/2	3 3/4	2 15/16
2	6 1/4	6 1/2	5 11/16
3	9	9 1/4	8 7/16
4	11 3/4	12	11 3/16

**Slot Width**  
 050 075  
 100 150  
 200

**Finish**  
 White  
 Mill  
 Clear Anodized  
 Aluminum Paint  
 Off White  
 Flat Black  
 Match Paint

\*NOTE: Return option not available for 1 1/2" and 2" slot widths

Dimensions in inches

Job: _____	Tag: _____	<b>6000</b> <b>Slot Diffuser</b> <b>"T" Margin</b>
Location: _____	Submitted By: _____	
Architect: _____		
Engineer: _____		
Contractor: _____	SD - 2117	Rev: F (11/12)