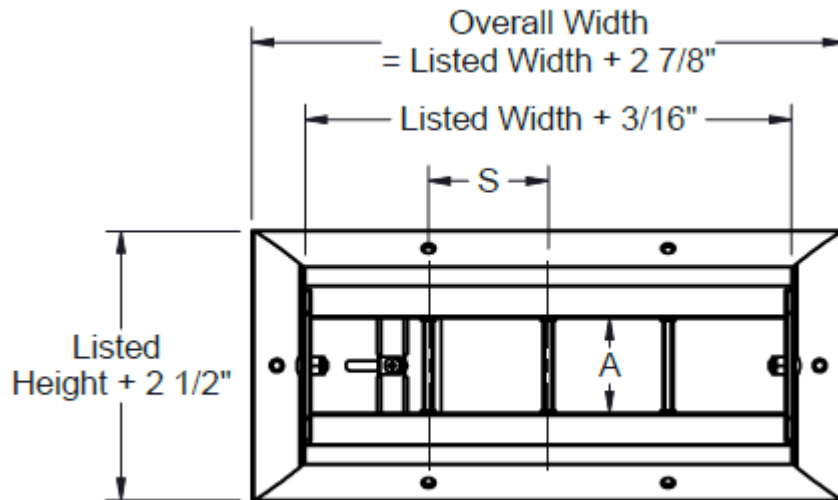
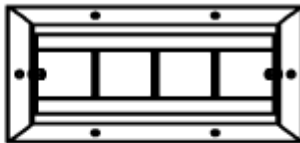


PRODUCT DIMENSIONS

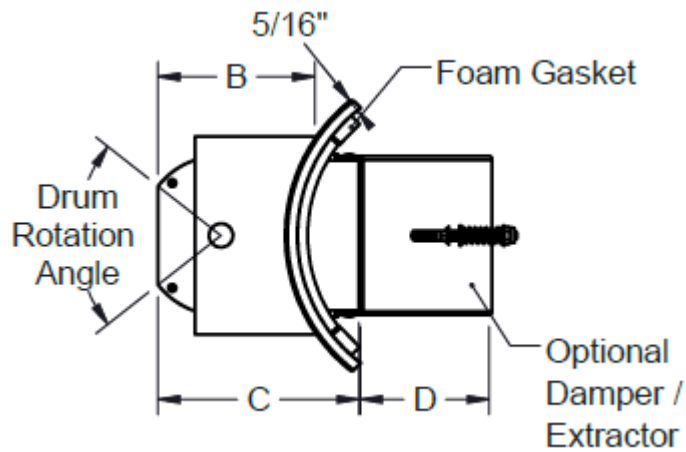
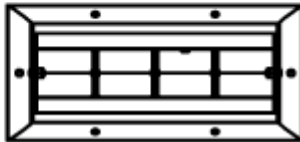
SDSTRJ/SDMTRJ



SDSTRJ
Single Vane



SDMTRJ
Split Vane



Height	Width	Duct Diameter		S (Standard Spacing)	A	B	C	D (Max)	Drum Rotation Angle (Degrees)	
		Min	Max						Damper	No Damper
4	12, 18, 24, 30, 36, 42, 48, 60	8	36	3	2 3/8	3 15/16	5 1/16	3 3/8	N/A	30
6		10			3 3/8	4 3/16	5 5/16	4 1/16	19	27
8		14			4 3/8	5 5/8	6 3/4	5 3/8	18	26
10		14		5	5 7/8	7 1/8	8 1/4	6 11/16	27	27
12		18			6 7/8	7 13/16	8 15/16	8	26	26
15		28			9 13/16	8 7/16	9 1/2	10 11/16	27	27