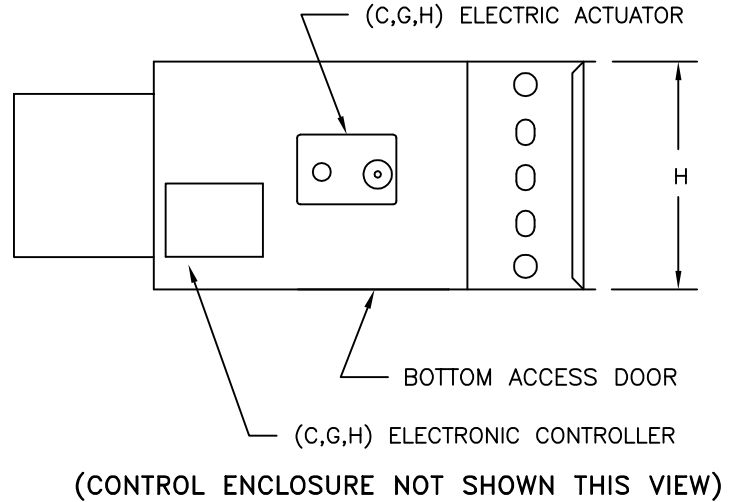
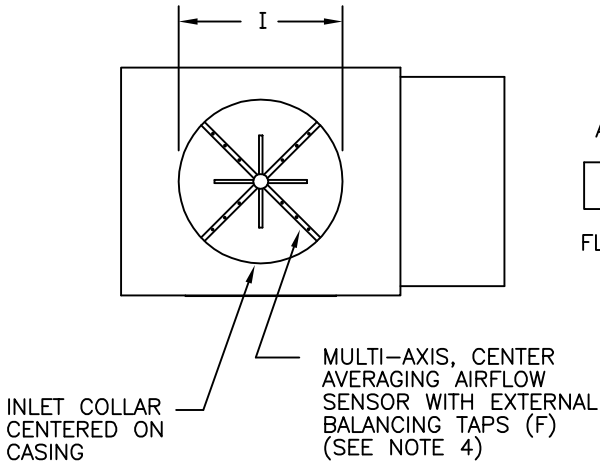
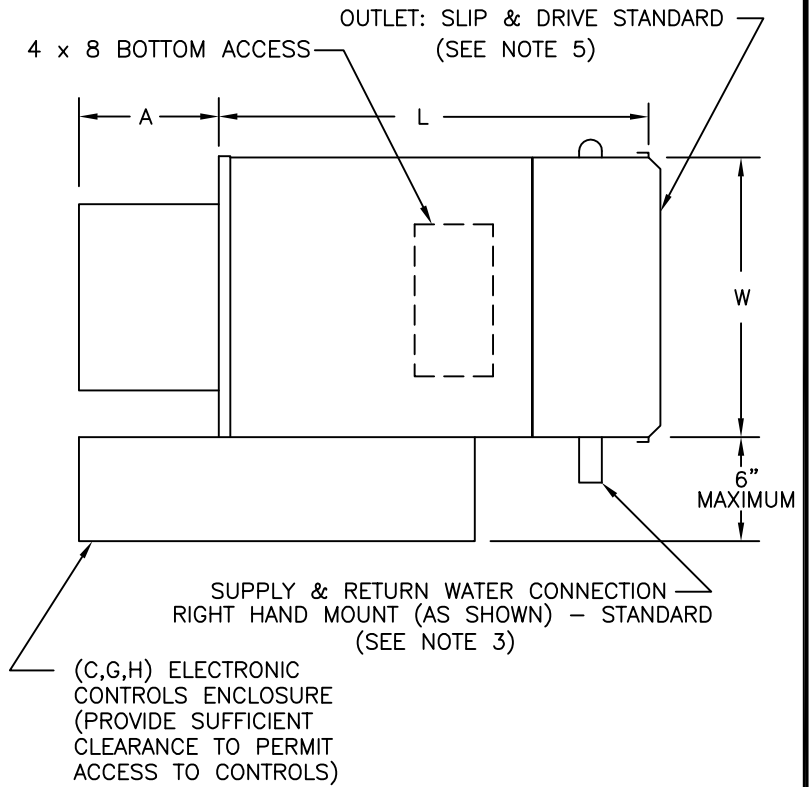


UNIT SIZE	W	H	L	A	I
4	10 [254]	10 [254]	15-1/2 [394]	10-1/2 [267]	3-7/8 [98]
5	10 [254]	10 [254]	15-1/2 [394]	10-1/2 [267]	4-7/8 [124]
6	10 [254]	10 [254]	15-1/2 [394]	6-1/2 [165]	5-7/8 [149]
8	12 [305]	10 [254]	15-1/2 [394]	6-1/2 [165]	7-7/8 [200]
10	14 [356]	12-1/2 [318]	17-1/2 [445]	6-1/2 [165]	9-7/8 [251]
12	16 [406]	15 [381]	17-1/2 [445]	6-1/2 [165]	11-7/8 [302]
14	20 [508]	17-1/2 [445]	21-1/2 [546]	6-1/2 [165]	13-7/8 [352]
16	24 [610]	17-1/2 [445]	21-1/2 [546]	6-1/2 [165]	15-7/8 [403]



CONSTRUCTION NOTES:

1. MATERIAL: Galvanized steel; Casing -22 gauge; Air valve casing -22 gauge.
2. INSULATION: 1/2" thick fiberglass complying with NFPA 90-A and UL 181.
3. HOT WATER COIL: Copper tubing with aluminum fins, 10 fins per inch. Supply and Return water connections: 1 Row coil: 1/2" O.D., 2 Row coil: 5/8" O.D., 3 & 4 Row coil: 7/8" O.D.. Coil to be externally insulated by others if required.
4. AIRFLOW SENSOR: Sizes 4 & 5 utilize single-axis linear averaging type.
5. INSTALLATION: A) If internal insulation is utilized in the downstream ductwork, the insulation must be secured in such a manner that no raw insulation edges are exposed to the airstream. B) Inlet collar & hot water coil should be externally insulated by others (in the field) if required.

(C) TEMPERATURE RESPONSIVE - SERIES SD600 (G) PRESSURE INDEPENDENT - SERIES SD700
 (H) DIRECT DIGITAL PRESSURE INDEPENDENT - SERIES SD800 & SD900

TITLE: MODEL SDR-WC SINGLE DUCT
 TERMINAL UNIT - SIZE 04-16
 ELECTRONIC CONTROLS &
 BOTTOM ACCESS DOOR



DRN BY: JCR	DATE: 3/07/02	SCALE: 1=1	DRAWING NO.
CKD BY: Cms/l	DATE: 04/21/02	REV: 02	21828