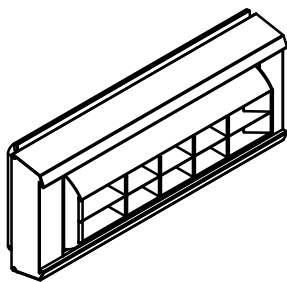
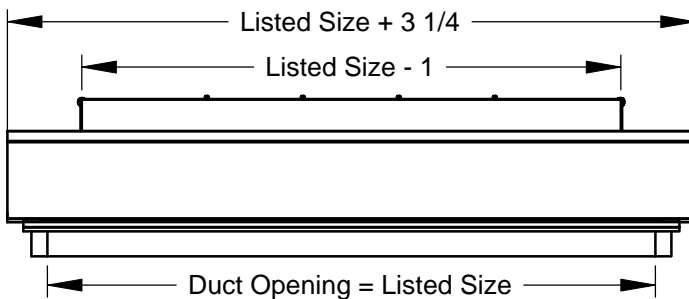
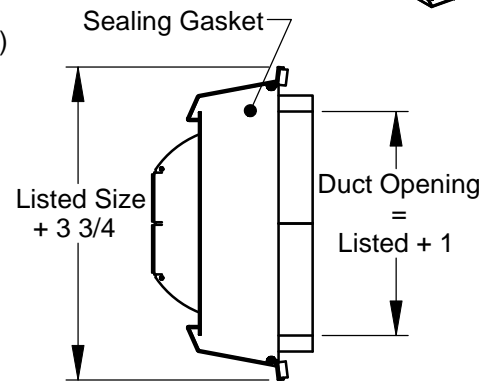
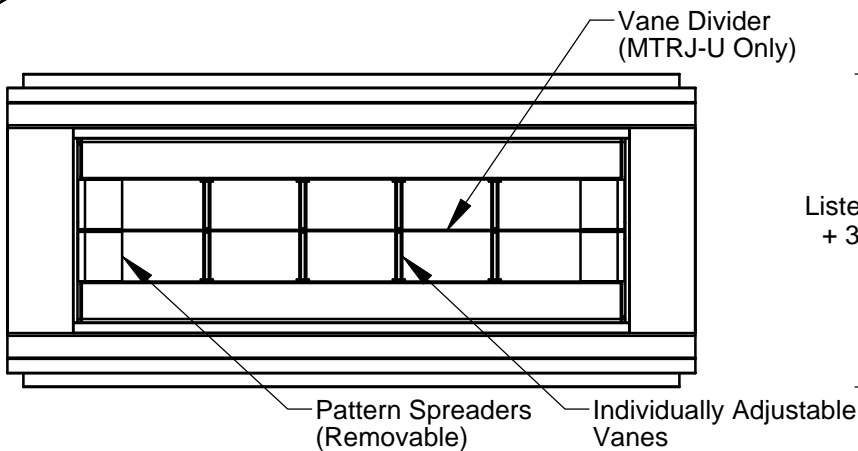
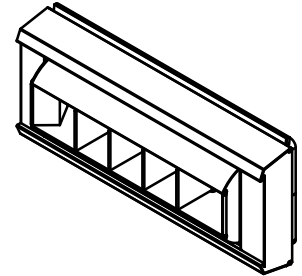


- STRJ-U single throw/ MTRJ-U multiple throw
- Extruded aluminum construction
- Optional opposed blade damper should not be used when pressure drop exceeds .25 inches
- Mill (ML) finish standard, optional Satin Anodized (SA) or White (WH) finishes available
- Custom Lengths available


MTRJ-U
STRJ-U


Height	6	10	12	15
Duct Diameter				
(Min / Max)	10 / 65	20 / 97	26 / 112	36 / 145

Finishes

Mill
White
Satin Anodized

Dimensions in inches

Job: _____
 Location: _____
 Architect: _____
 Engineer: _____
 Contractor: _____

Tag: _____
 Submitted By: _____
 SD-2022 Rev: B (03/09)

MTRJ-U / STRJ-U
RotoJet Drum Louver
Spiral Duct Installation
Universal Endcaps