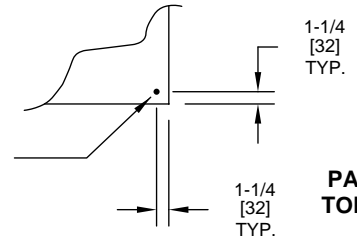


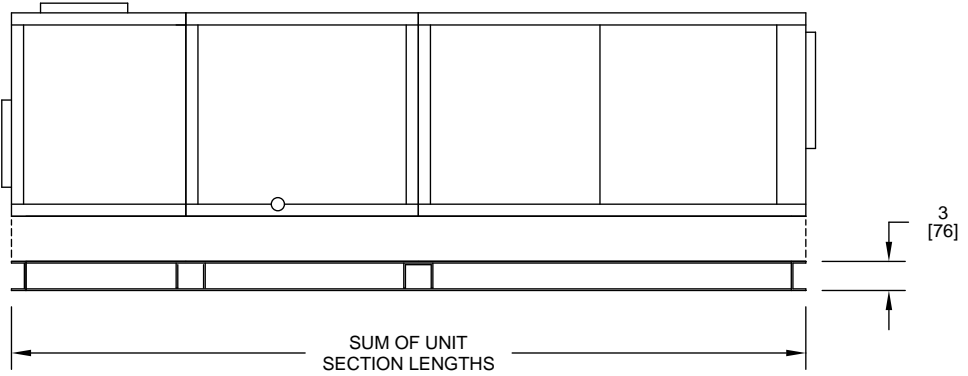
**NOTES:**

1. All dimensions are Inches [millimeters].  
All dimensions  $\pm 1/4"$  [6mm].  
Metric values are soft conversion.
2. All drawings subject to change without prior notice.
3. Intermediate rigging points provided at each section joint except supply plenum.
4. See chart below for actual location of rigging point at mixing box.
5. Horizontal unit shown, typical for both horizontal and vertical units.
6. Base rail is inverted for use with floor mount isolators.

9/16 [14] DIA INTEGRAL RIGGING HOLES ON BASE UNIT & ISO FAN SECTION WITHOUT BASE RAIL ASSY

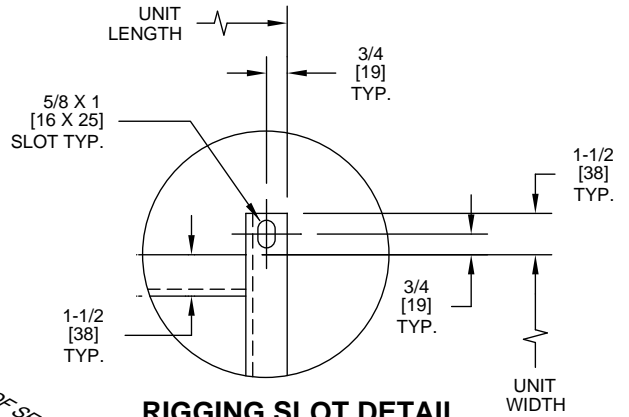


**PARTIAL TOP VIEW**

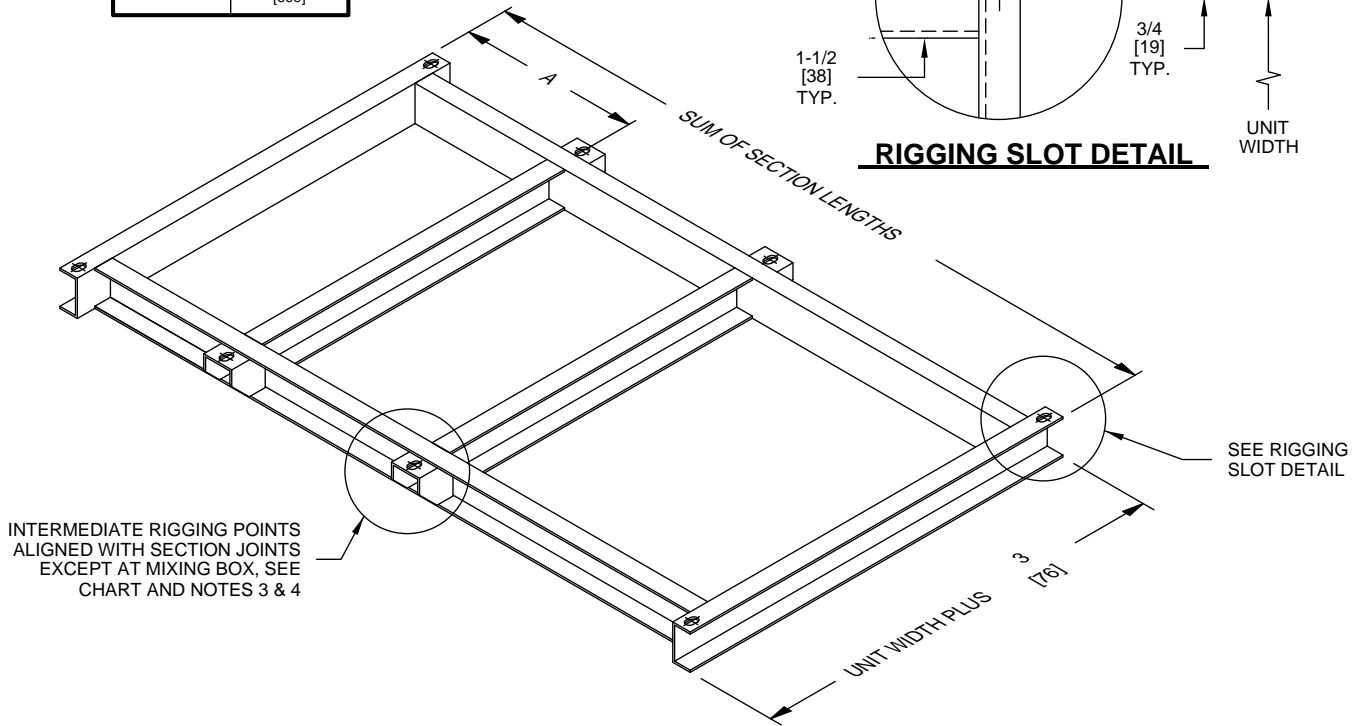


**TYPICAL UNIT WITH MULTIPLE SECTIONS**

UNIT SIZE	A
08/16	18-1/2 [470]
20/30	21-1/2 [546]
40/60	24-1/2 [622]
80	27-1/2 [699]



**RIGGING SLOT DETAIL**



TITLE:

**MODEL H/V SERIES B  
AIR HANDLING UNIT  
BASE RAIL ASSEMBLY**



**ENVIRO-TEC®**  
ENGINEERING FOR EXCELLENCE

DRN BY: HANK	DATE: 05/26/98	SCALE: 1=22	DRAWING NO. BR-001
CKD BY: DLG	DATE: 6/23/98	REV: 00	