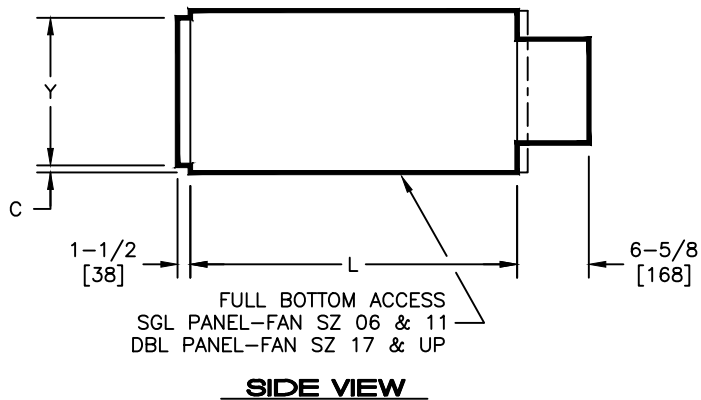


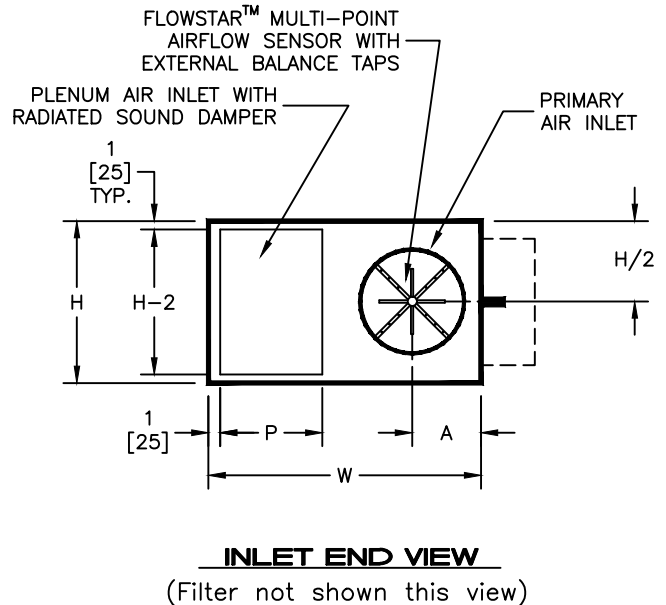
**OPTION NOTES:**

- 8. Double wall (DW) option increases "L" dim. 1-1/2" [38mm] and reduces inlet and discharge collar length by 3/4" [19mm].
- 9. Low temperature (LT) option provides a thermally isolated primary inlet. Inlet collar length is reduced by 3/4" [19mm].
- 10. Low temperature (LT) option is suitable for 46° F min. primary air and max. ambient conditions of 78° F and 60% RH.



UNIT SIZE	FILTER SIZE	
	INCHES	[MM]
0606 Thru 0811	13 X 14 X 1	[330 X 356 X 25]
1011	11 X 14 X 1	[279 X 356 X 25]
0817 Thru 1421	15 X 17 X 1	[381 X 432 X 25]
1224 & 1424	19 X 19 X 1	[483 X 483 X 25]
1230 Thru 1630	19 X 30 X 1	[483 X 762 X 25]

- NOTES:**
- 1. All dimensions are Inches [millimeters]. All dimensions are ±1/4" [6mm]. Metric values are soft conversion.
  - 2. All drawings subject to change without prior notice.
  - 3. Provide sufficient clearance to permit access to controls and comply with applicable codes and ordinances.
  - 4. 1" [25mm] thick fiberglass TAW filter. See chart for sizes.
  - 5. Inlet and outlet collars must be externally insulated in the field "by others", if required.
  - 6. Units with internal insulation in the downstream ductwork should have insulation secured with no raw edges exposed to the airstream.
  - 7. See drawing 33-80015 for arrangement details.



**DIMENSIONS - In [mm]**

UNIT SIZE	H	W	L	X	Y	A	B	C	P	UNIT SIZE	I
0606, 0806, 0611, 0811	14 [356]	23-3/8 [594]	35 [889]	11 [279]	11 [279]	6 [152]	2-1/4 [57]	3/4 [19]	10-3/8 [264]	06XX	5-7/8 [149]
1011	14 [356]	23-3/8 [594]	35 [889]	11 [279]	11 [279]	7 [178]	2-1/4 [57]	3/4 [19]	8-3/8 [213]	08XX	7-7/8 [200]
0817, 1017, 1217 0819, 1019, 1219	17 [432]	29-3/8 [746]	40 [1016]	15 [381]	13-1/2 [343]	8 [203]	2-1/4 [57]	3/4 [19]	12-3/8 [314]	10XX	9-7/8 [251]
1021, 1221, 1421	17 [432]	35-3/8 [899]	40 [1016]	15 [381]	13-1/2 [343]	9 [229]	10-1/2 [267]	2-3/4 [70]	12-3/8 [314]	12XX	11-7/8 [302]
1224, 1424	19 [483]	47-3/8 [1203]	50 [1270]	28 [711]	15 [381]	9 [229]	4 [102]	3-1/4 [83]	17 [432]	14XX	13-7/8 [352]
1230	19 [483]	52 [1321]	62 [1575]	40 [1016]	15 [381]	10 [254]	9-3/4 [248]	1-1/4 [32]	28 [711]	16XX	15-7/8 [403]
1430, 1630	19 [483]	52 [1321]	62 [1575]	40 [1016]	15 [381]	11-1/2 [292]	9-3/4 [248]	1-1/4 [32]	28 [711]		

UNIT SIZE: FIRST 2 DIGITS DENOTE PRIMARY INLET SIZE, SECOND 2 DIGITS DENOTE FAN AND CASING SIZE.

**TITLE:** MODEL CFRQ EXTRA QUIET SERIES FLOW FAN POWERED TERMINAL ALL SIZES ARGT 3



DRN BY: DVG	DATE: 04/06/09	SCALE: 1=24	DRAWING NO.
CKD BY: DPB	DATE: 07/31/15	REV: 01	

33-80042

THIS DRAWING CONTAINS PROPRIETARY DATA. UNAUTHORIZED DISCLOSURE, REPRODUCTION, OR USE IS STRICTLY PROHIBITED WITHOUT WRITTEN PERMISSION

DO NOT SCALE DRAWING. DIMENSIONS AND DATA ARE SUBJECT TO CHANGE WITHOUT NOTICE. CONTACT FACTORY FOR CERTIFIED DRAWINGS.