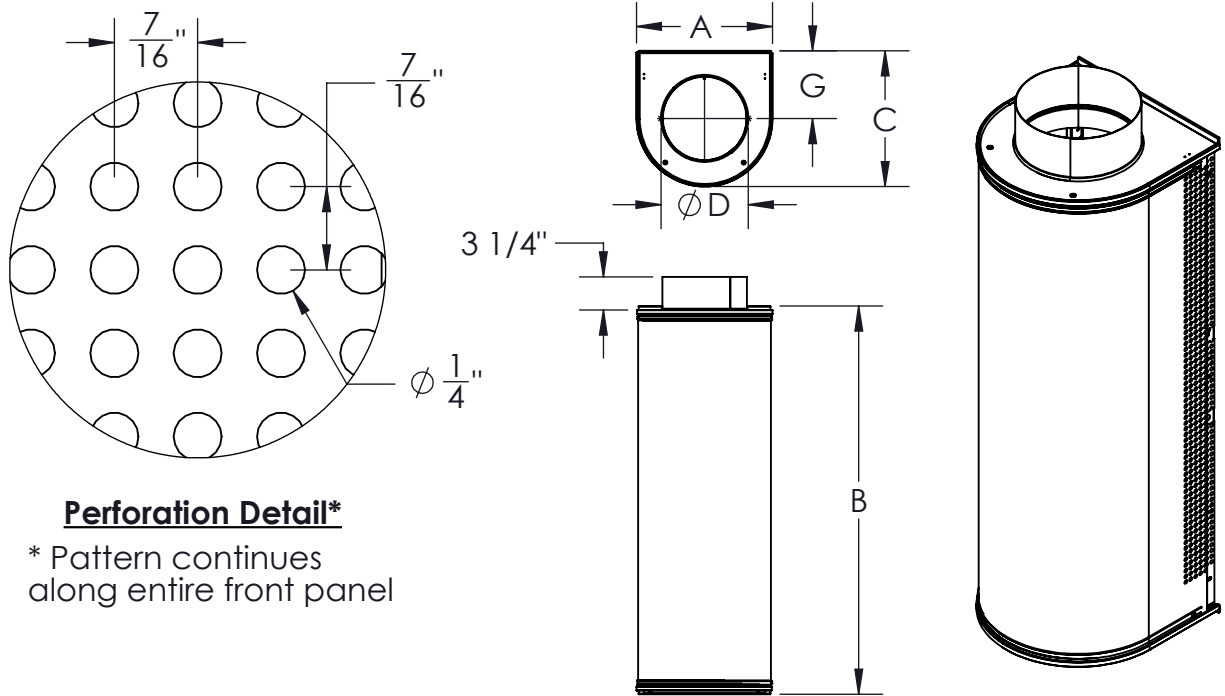


- Displacement diffuser designed for wall and surface mount applications
- Galvanized steel & aluminum construction
- Supplies low velocity air with a 180° discharge pattern
- Perforation envelops entire front cover offering increased free area space
- Standard finish is white (WH)
- Optional duct cover available



**Perforation Detail\***  
 \* Pattern continues along entire front panel

| Model | Inlet Size | Nominal Unit Size | Unit Dimensions (Inches) |         |         |        |          |
|-------|------------|-------------------|--------------------------|---------|---------|--------|----------|
|       |            |                   | A                        | B       | C       | D      | G        |
| DSC   | 5          | 10 x 25           | 9 5/8                    | 24 1/2  | 9 9/16  | 4 7/8  | 4 13/16  |
|       | 6          | 11 x 25           | 11                       | 24 1/2  | 11      | 5 7/8  | 5 1/2    |
|       | 8          | 13 x 37           | 12 9/16                  | 36 5/16 | 12 1/2  | 7 7/8  | 6 5/16   |
|       | 10         | 15 x 37           | 14 1/2                   | 36 5/16 | 14 1/2  | 9 7/8  | 7 5/16   |
|       | 12         | 18 x 60           | 17                       | 60      | 17      | 11 7/8 | 8 9/16   |
|       | 16         | 21 x 79           | 20 3/8                   | 78 7/8  | 20 5/16 | 15 7/8 | 10 1/4   |
|       | 12         | 24 x 24           | 24                       | 24      | 24      | 11 7/8 | 11 15/16 |
|       | 14         | 24 x 36           | 24                       | 36      | 24      | 13 7/8 | 11 15/16 |
|       | 16         | 24 x 48           | 24                       | 48      | 24      | 15 7/8 | 11 15/16 |
|       | 20         | 25 x 79           | 24 3/8                   | 78 7/8  | 24 3/8  | 19 7/8 | 12 3/16  |
|       | 24         | 30 x 79           | 29 1/2                   | 78 7/8  | 29 1/2  | 23 7/8 | 14 3/4   |
|       | 14         | 36 x 24           | 36                       | 24      | 36      | 13 7/8 | 18 1/16  |
|       | 16         | 36 x 36           | 36                       | 36      | 36      | 15 7/8 | 18 1/16  |
|       | 20         | 36 x 48           | 36                       | 48      | 36      | 19 7/8 | 18 1/16  |
|       | 32         | 37 x 79           | 36 1/4                   | 78 7/8  | 36 3/16 | 31 7/8 | 18 1/8   |

Dimensions in inches

|                   |                               |  |
|-------------------|-------------------------------|--|
| Job: _____        | Tag: _____                    | <b>DSC</b><br><b>Semi-Circular</b><br><b>Displacement Diffuser</b><br><b>Wall or Surface Mount</b> |
| Location: _____   | Submitted By: _____           |  |
| Architect: _____  |                               |  |
| Engineer: _____   |                               |  |
| Contractor: _____ | SD - 2331      Rev: B (07/20) |  |

These drawings do not detail every aspect of the product. This submittal demonstrates general product dimensions; drawings are not to scale. Tuttle & Bailey reserves the right to make changes without notice. Copyright © 2020 Tuttle & Bailey www.tuttleandbailey.com