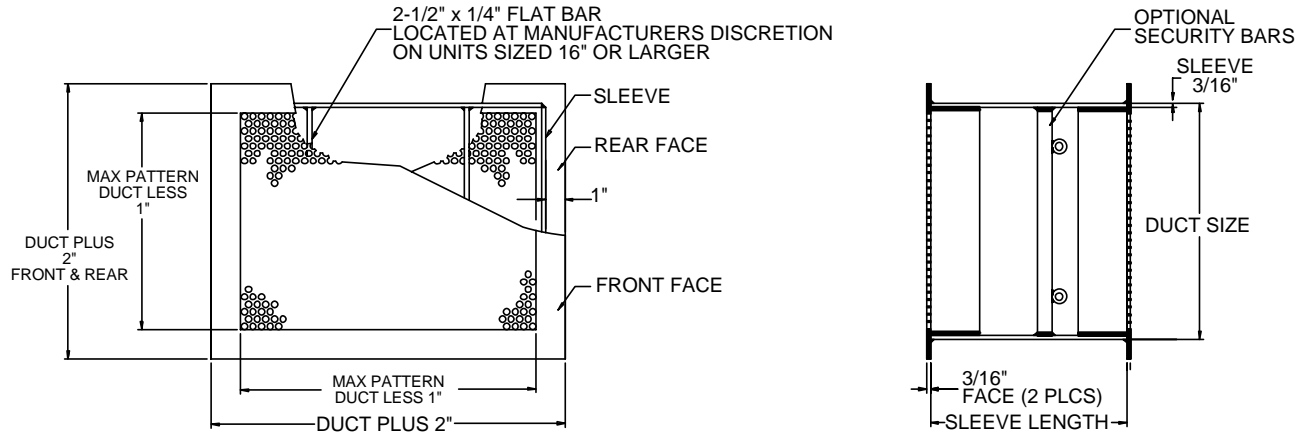


SG400 Standard Construction Details

- **Face Plate:** 3/16" steel with 5/16" dia. round holes on 7/16" staggered centers, 1" border
- **Sleeve:** 3/16" steel (available in 6", 8", 10", 12", & 18" lengths)
- **Finish:** White (WH) or Mill (ML)
- **All welded construction**



Face View Detail

Side View Detail

Options / Accessories:

Anchor Bars

3/4" dia. x 3" long steel bars positioned 3" from back of face plate on top & bottom of sleeve

Security Bars

3/4" dia. steel bars on 6" centers, security bar grid is tack welded twice at each intersection & welded completely around at the sleeve joint

Available Sizes:

6" x 4" to 30" x 30" in 2" increments (9" x 9" is the only odd size available)

Dimensions are in inches. Product information subject to change without notice.

PROJECT: _____	SUBMITTED BY: _____	DATE: 2-25-02	SD-1831
ARCHITECT: _____		SG400 Security Transfer Grille Steel	
ENGINEER: _____			
CONTRACTOR: _____			
LOCATION: _____			