

NOTES:

1. All dimensions are inches [millimeters]
All dimensions $\pm 1/2$ [13mm].
Metric values are soft conversion.
2. All drawings subject to change without notice.
3. See "Coil Connection Location" drawing for drain pan specifications.
4. Consult WebSelect selection summary for valve package components and specifications. Valve package end point dimensions are fixed value, regardless of selected valve package components.
5. Dimensions indicate space requirement for valve-package install. Additional service space requirements depend on option selections.



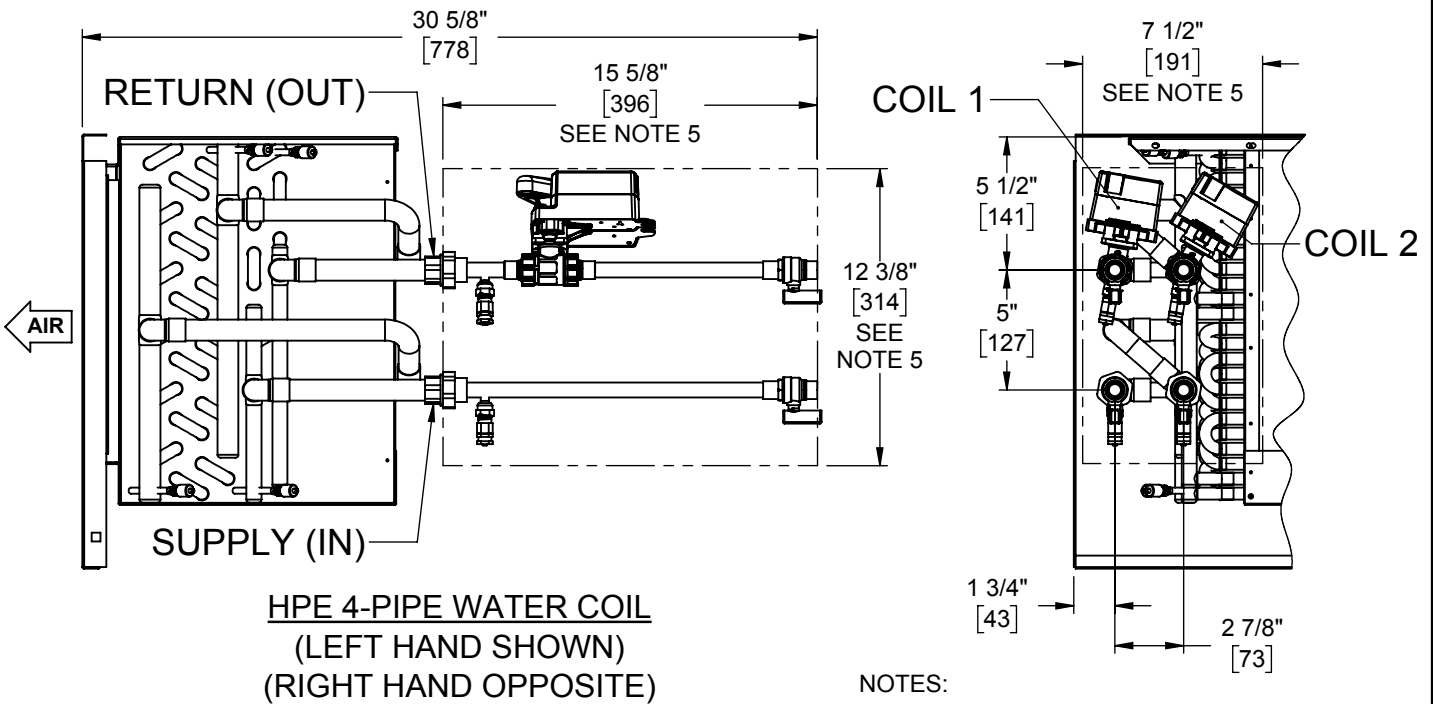
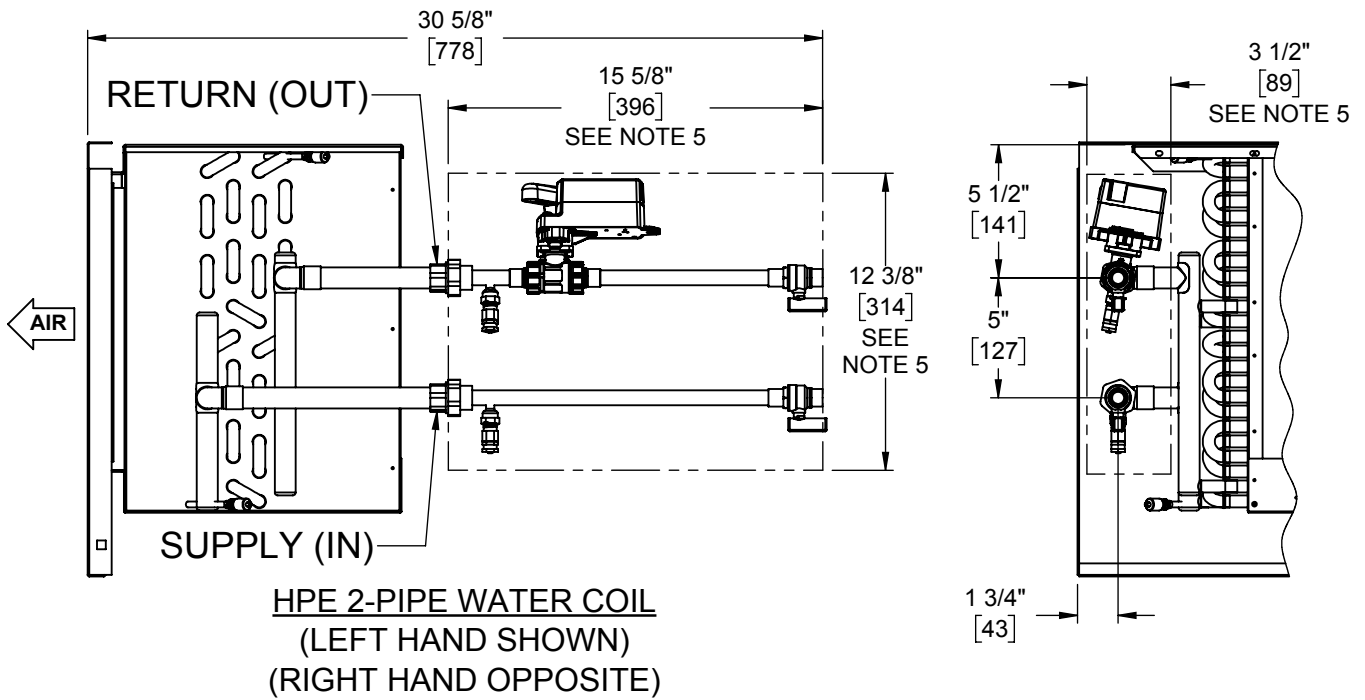
THIS DRAWING CONTAINS PROPRIETARY DATA. UNAUTHORIZED DISCLOSURE, REPRODUCTION, OR USE IS STRICTLY PROHIBITED WITHOUT WRITTEN PERMISSION.

SUBMITTAL DRAWING
ALL DRAWINGS ARE SUBJECT TO CHANGE WITHOUT PRIOR NOTICE

DO NOT SCALE DRAWING
DIMENSIONS ARE IN INCH (MM) FORMAT
+/- 1/8 [3] UNLESS OTHERWISE NOTED

TITLE: **MODEL HPP VALVE PACKAGE CONNECTIONS**

DATE	SHEET	DRAWING NO	REV
10/24/19	PAGE 1 OF 3	82-80051	A



NOTES:

1. All dimensions are inches [millimeters]
All dimensions $\pm 1/2$ [13mm].
Metric values are soft conversion.
2. All drawings subject to change without notice.
3. See "Coil Connection Location" drawing for drain pan specifications.
4. Consult WebSelect selection summary for valve package components and specifications. Valve package end point dimensions are fixed value, regardless of selected valve package components.
5. Dimensions indicate space requirement for valve-package install. Additional service space requirements depend on option selections.



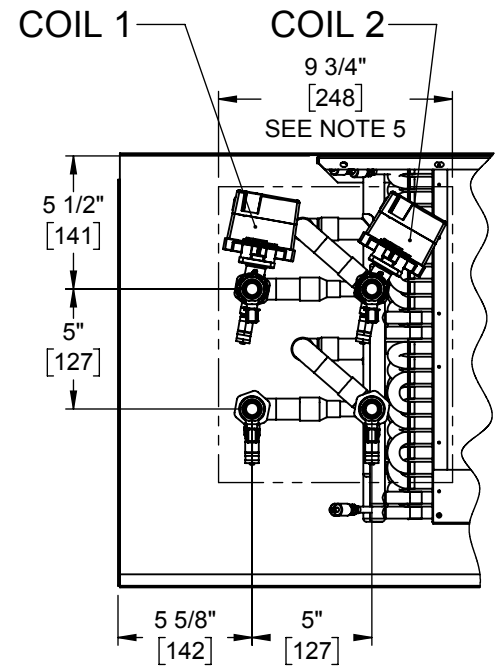
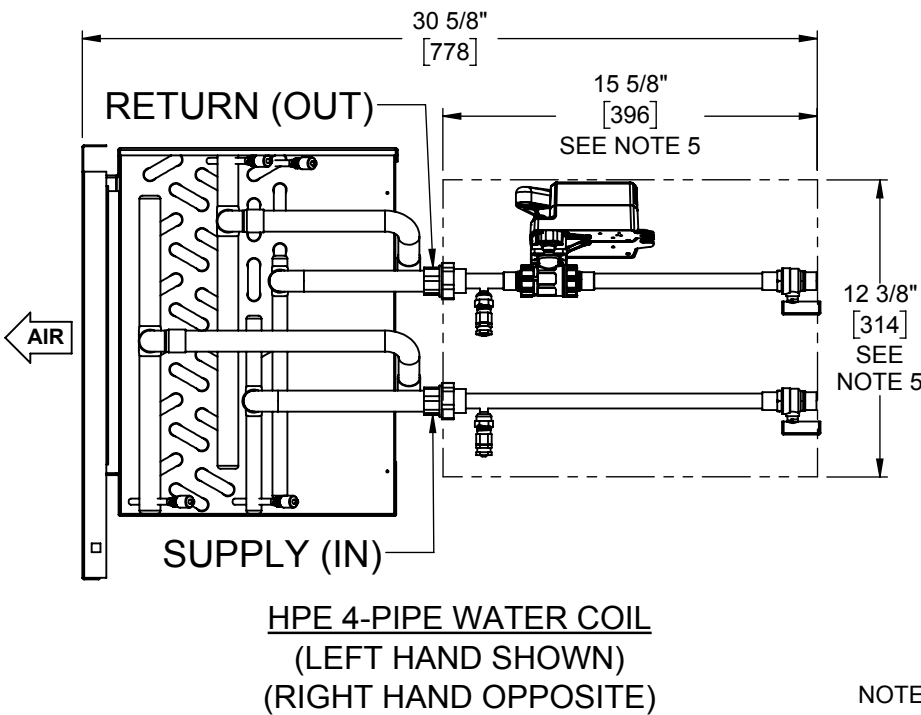
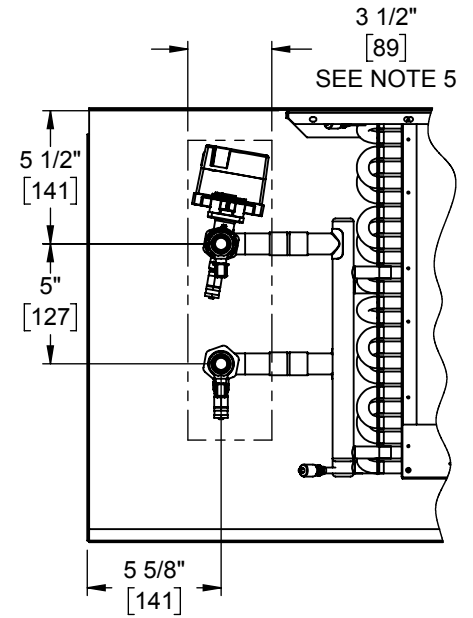
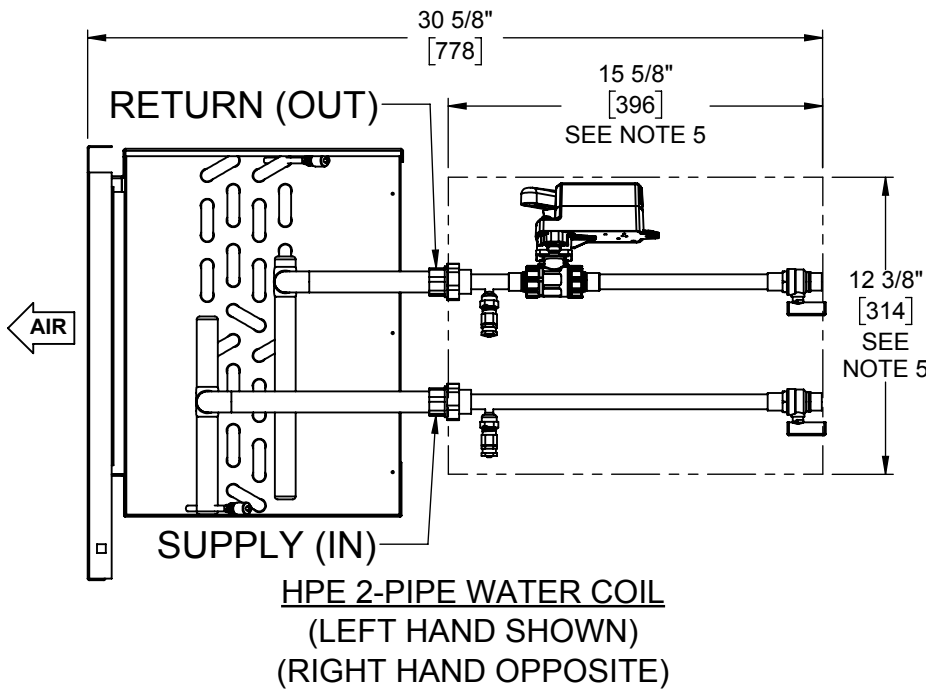
THIS DRAWING CONTAINS PROPRIETARY DATA. UNAUTHORIZED DISCLOSURE, REPRODUCTION, OR USE IS STRICTLY PROHIBITED WITHOUT WRITTEN PERMISSION.

SUBMITTAL DRAWING
ALL DRAWINGS ARE SUBJECT TO CHANGE WITHOUT PRIOR NOTICE

DO NOT SCALE DRAWING
DIMENSIONS ARE IN INCH (MM) FORMAT
+/- 1/8 [3] UNLESS OTHERWISE NOTED

TITLE: **MODEL HPE STANDARD WIDTH VALVE PACKAGE CONNECTIONS**

DATE	SHEET	DRAWING NO	REV
10/24/19	PAGE 2 OF 3	82-80051	A



NOTES:

1. All dimensions are inches [millimeters]
All dimensions $\pm 1/2$ [13mm].
Metric values are soft conversion.
2. All drawings subject to change without notice.
3. See "Coil Connection Location" drawing for drain pan specifications.
4. Consult WebSelect selection summary for valve package components and specifications. Valve package end point dimensions are fixed value, regardless of selected valve package components.
5. Dimensions indicate space requirement for valve-package install. Additional service space requirements depend on option selections.



THIS DRAWING CONTAINS PROPRIETARY DATA. UNAUTHORIZED DISCLOSURE, REPRODUCTION, OR USE IS STRICTLY PROHIBITED WITHOUT WRITTEN PERMISSION.

SUBMITTAL DRAWING
ALL DRAWINGS ARE SUBJECT TO CHANGE WITHOUT PRIOR NOTICE

DO NOT SCALE DRAWING
DIMENSIONS ARE IN INCH (MM) FORMAT
+/- 1/8 [3] UNLESS OTHERWISE NOTED

TITLE: **MODEL HPE EXTENDED WIDTH VALVE PACKAGE CONNECTIONS**

DATE	SHEET	DRAWING NO	REV
10/24/19	PAGE 3 OF 3	82-80051	A