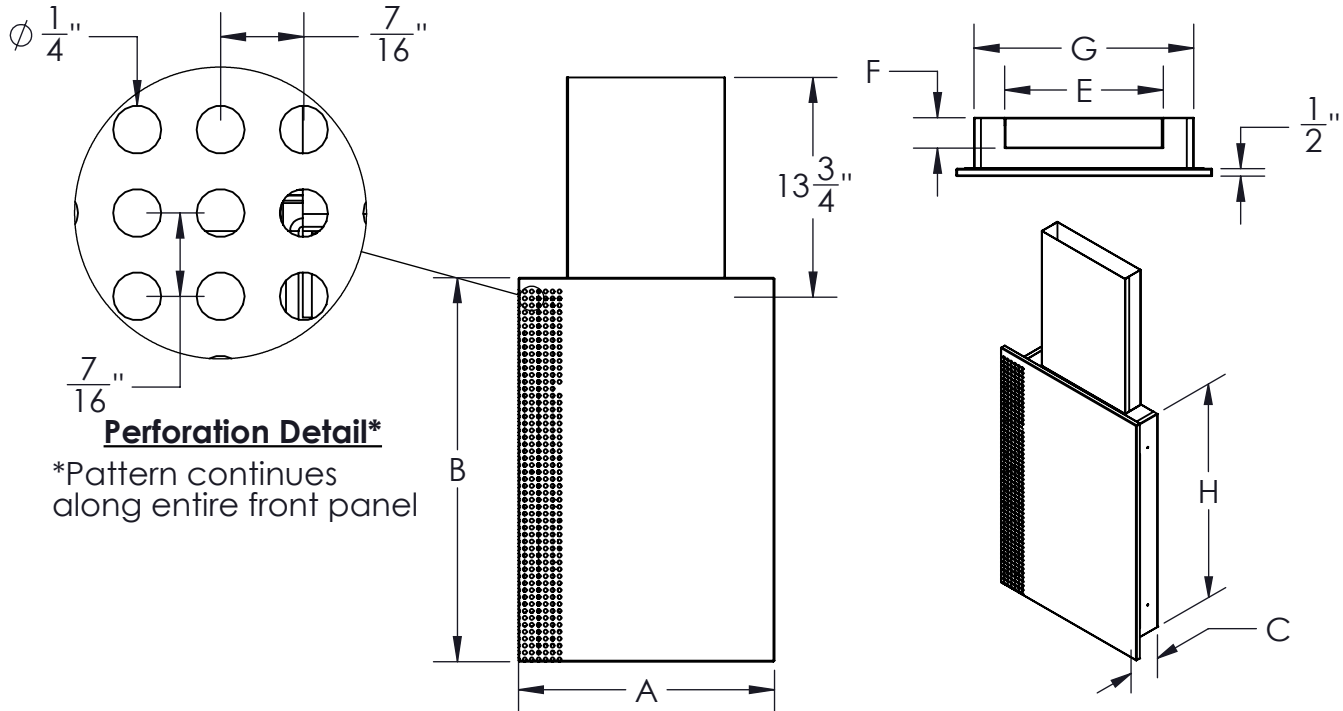


- Displacement diffuser designed for flush mount applications
- Galvanized steel & aluminum construction
- Supplies small to medium volumes of air at low velocity
- Perforation envelops entire front cover offering increased free area space
- Standard finish is white (WH)



Model	Inlet Size	Nominal Unit Size	Unit Dimensions (Inches)						
			A	B	C	E	F	G	H
DFX	6 x 2	12 x 10	12	10	3 1/8	5 7/8	1 7/8	9 11/16	7 13/16
	6 x 2	12 x 12	12	12	3 1/8	5 7/8	1 7/8	9 11/16	9 13/16
	10 x 2	16 x 10	16	10	3 1/8	9 7/8	1 7/8	13 11/16	7 13/16
	10 x 2	16 x 12	16	12	3 1/8	9 7/8	1 7/8	13 11/16	9 13/16
	10 x 2	16 x 16	16	16	3 1/8	9 7/8	1 7/8	13 11/16	13 13/16
	10 x 2	16 x 24	16	24	3 1/8	9 7/8	1 7/8	13 11/16	21 13/16
	12 x 2	20 x 20	20	20	3 1/8	11 7/8	1 7/8	17 7/16	17 13/16
	14 x 2	24 x 12	24	12	3 1/8	13 7/8	1 7/8	21 11/16	9 13/16
	14 x 2	24 x 18	24	18	3 1/8	13 7/8	1 7/8	21 11/16	16
	14 x 2	24 x 24	24	24	3 1/8	13 7/8	1 7/8	21 11/16	21 13/16
	20 x 3	24 x 30	24	24	4	19 7/8	2 7/8	21 11/16	27 13/16
	20 x 3	24 x 36	24	24	4	19 7/8	2 7/8	21 11/16	33 13/16
	20 x 3	24 x 48	24	24	4	19 7/8	2 7/8	21 11/16	45 13/16
	20 x 3	30 x 24	30	30	4	19 7/8	2 7/8	27 11/16	21 13/16
	20 x 3	36 x 12	36	36	4	19 7/8	2 7/8	33 11/16	9 13/16
	20 x 3	36 x 24	36	36	4	19 7/8	2 7/8	33 11/16	21 13/16
	20 x 3	48 x 12	48	48	4	19 7/8	2 7/8	45 11/16	9 13/16
	20 x 3	48 x 24	48	48	4	19 7/8	2 7/8	45 11/16	21 13/16
24 x 3	60 x 24	60	60	4	23 7/8	2 7/8	57 11/16	21 13/16	

Dimensions in inches

Job: _____	Tag: _____	DFX Rectangular Displacement Diffuser Flush or Wall Mount
Location: _____	Submitted By: _____	
Architect: _____		
Engineer: _____		
Contractor: _____	SD - 2318 Rev: B (07/20)	