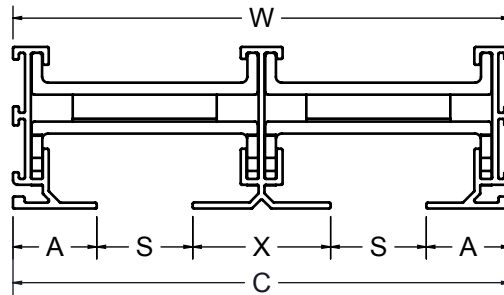


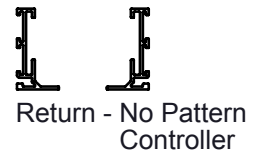
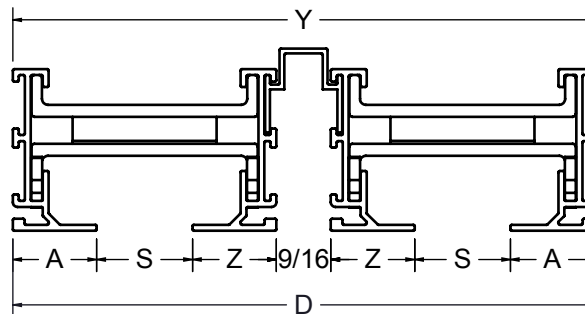
2A



Pattern Controller Options



2C - Narrow Regress

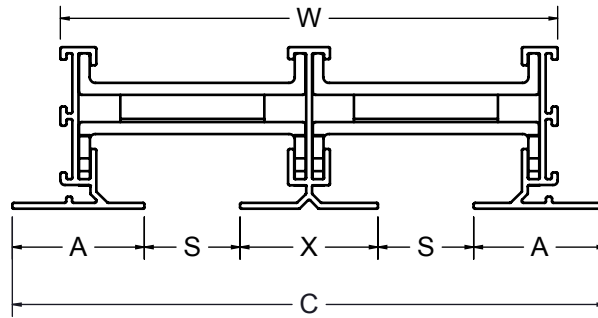


S	A	B	X	Z	W	Y	C	D
Slot Width	Outer Margin Width		Center Width		Top Width		Bottom Width	
1	7/8	N/A	1 7/16	7/8	5 3/16	6 1/16	5 3/16	6 1/16
1 1/2	1 1/8	N/A	1 15/16	1 1/8	7 3/16	8 1/16	7 3/16	8 1/16
2	1 3/8	N/A	2 7/16	1 3/8	9 3/16	10 1/16	9 3/16	10 1/16
2 1/2	1 5/8	N/A	2 15/16	1 5/8	11 3/16	12 1/16	11 3/16	12 1/16
3	1 7/8	N/A	3 7/16	1 7/8	13 3/16	14 1/16	13 3/16	14 1/16

Dimensions in inches

Job: _____	Tag: _____	<b>AIR-TRAC™</b> <b>Two Slot Diffuser Option</b> <b>Margin L</b>
Location: _____	Submitted By: _____	
Architect: _____	Contractor: _____	
Engineer: _____	SD - 2096	Rev: H (07/15)

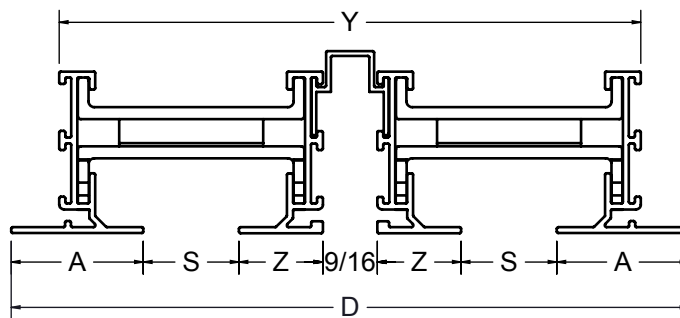
2A



Pattern Controller Options



2C - Narrow Regress

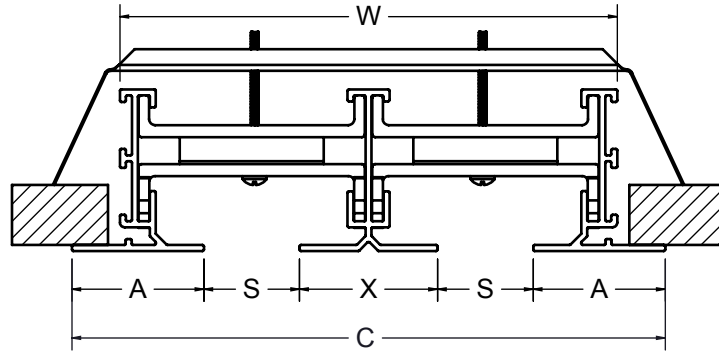


S	A	B	X	Z	W	Y	C	D
Slot Width	Outer Margin Width		Center Width		Top Width		Bottom Width	
1	1 3/8	N/A	1 7/16	7/8	5 3/16	6 1/16	6 3/16	7 1/16
1 1/2	1 5/8	N/A	1 15/16	1 1/8	7 3/16	8 1/16	8 3/16	9 1/16
2	1 7/8	N/A	2 7/16	1 3/8	9 3/16	10 1/16	10 3/16	11 1/16
2 1/2	2 1/8	N/A	2 15/16	1 5/8	11 3/16	12 1/16	12 3/16	13 1/16
3	2 3/8	N/A	3 7/16	1 7/8	13 3/16	14 1/16	14 3/16	15 1/16

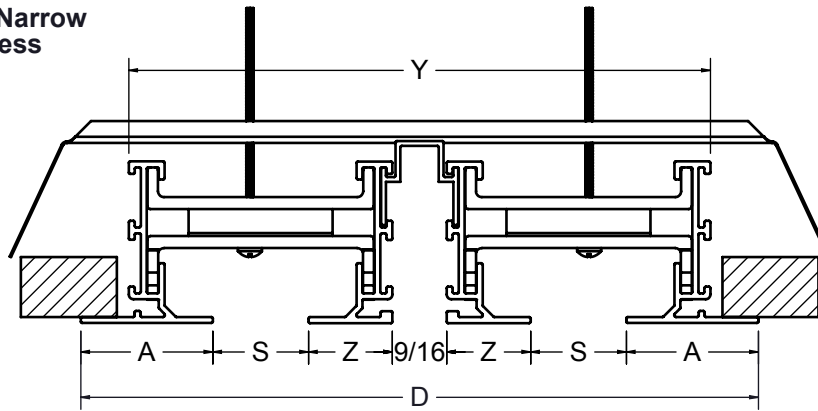
Dimensions in inches

Job: _____	Tag: _____	<b>AIR-TRAC™</b> <b>Two Slot Diffuser Option</b> <b>Margin B</b>
Location: _____	Submitted By: _____	
Architect: _____	SD - 2096      Rev: H (07/15)	
Engineer: _____		
Contractor: _____		

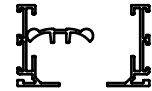
2A



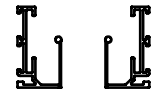
2C - Narrow Regress



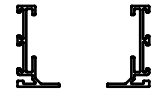
Pattern Controller Options



Supply - Uniflex



Supply - Control Line



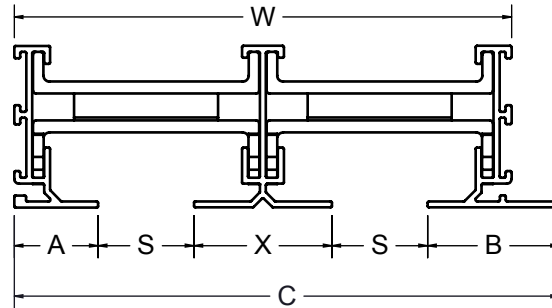
Return - No Pattern Controller

S	A	B	X	Z	W	Y	C	D
Slot Width	Outer Margin Width		Center Width		Top Width		Bottom Width	
1	1 3/8	N/A	1 7/16	7/8	5 3/16	6 1/16	6 3/16	7 1/16
1 1/2	1 5/8	N/A	1 15/16	1 1/8	7 3/16	8 1/16	8 3/16	9 1/16
2	1 7/8	N/A	2 7/16	1 3/8	9 3/16	10 1/16	10 3/16	11 1/16
2 1/2	2 1/8	N/A	2 15/16	1 5/8	11 3/16	12 1/16	12 3/16	13 1/16
3	2 3/8	N/A	3 7/16	1 7/8	13 3/16	14 1/16	14 3/16	15 1/16

Dimensions in inches

Job: _____	Tag: _____	<b>AIR-TRAC™</b> <b>Two Slot Diffuser Option</b> <b>Margin C</b>
Location: _____	Submitted By: _____	
Architect: _____		
Engineer: _____		
Contractor: _____	SD - 2096	Rev: H (07/15)

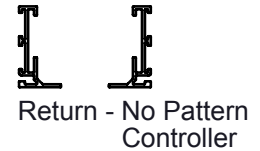
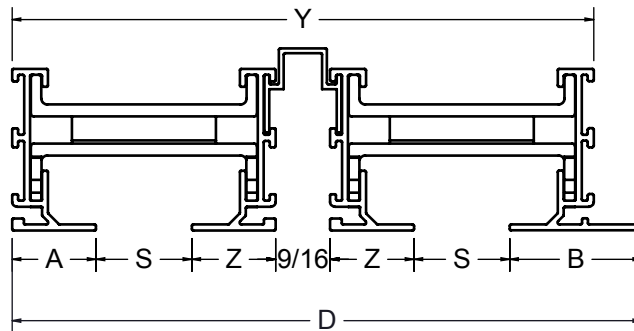
2A



Pattern Controller Options



2C - Narrow Regress

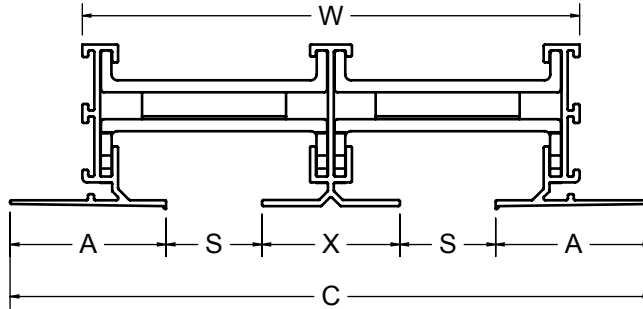


S	A	B	X	Z	W	Y	C	D
Slot Width	Outer Margin Width	Outer Margin Width	Center Width	Center Width	Top Width	Top Width	Bottom Width	Bottom Width
1	7/8	1 3/8	1 7/16	7/8	5 3/16	6 1/16	5 11/16	6 9/16
1 1/2	1 1/8	1 5/8	1 15/16	1 1/8	7 3/16	8 1/16	7 11/16	8 9/16
2	1 3/8	1 7/8	2 7/16	1 3/8	9 3/16	10 1/16	9 11/16	10 9/16
2 1/2	1 5/8	2 1/8	2 15/16	1 5/8	11 3/16	12 1/16	11 11/16	12 9/16
3	1 7/8	2 3/8	3 7/16	1 7/8	13 3/16	14 1/16	13 11/16	14 9/16

Dimensions in inches

Job: _____	Tag: _____	<b>AIR-TRAC™</b> <b>Two Slot Diffuser Option</b> <b>Margin E</b>
Location: _____	Submitted By: _____	
Architect: _____	SD - 2096      Rev: H (07/15)	
Engineer: _____		
Contractor: _____		

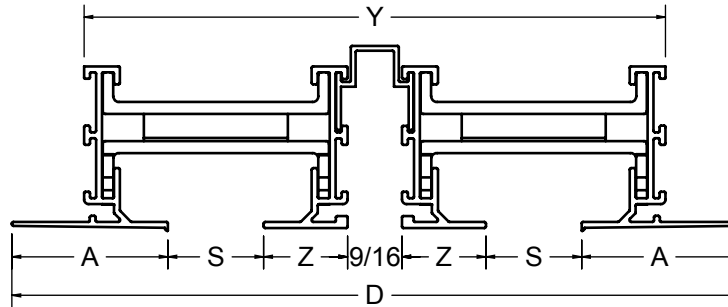
2A



**Pattern Controller Options**



2C - Narrow Regress

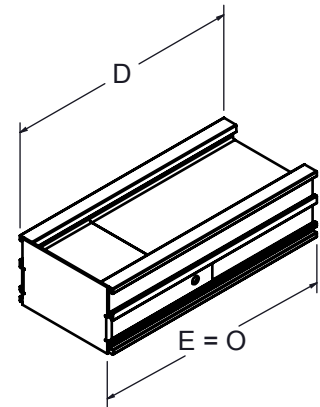
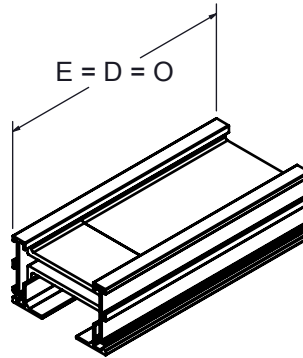
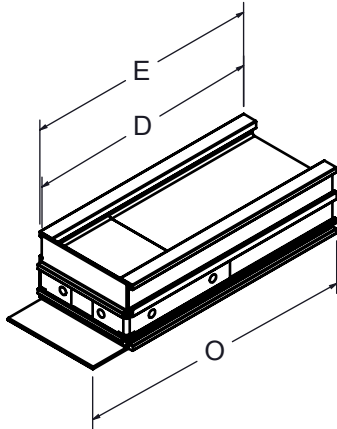
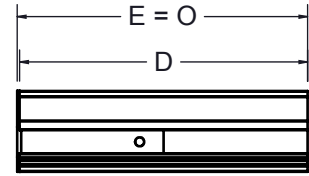
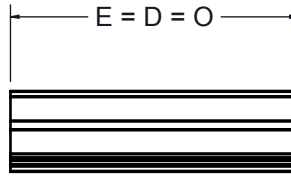
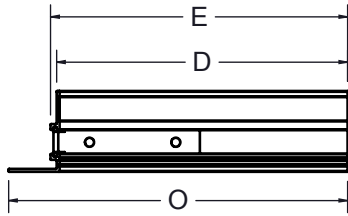


S	A	B	X	Z	W	Y	C	D
Slot Width	Outer Margin Width		Center Width		Top Width		Bottom Width	
1	1 5/8	N/A	1 7/16	7/8	5 3/16	6 1/16	6 11/16	7 9/16
1 1/2	1 7/8	N/A	1 15/16	1 1/8	7 3/16	8 1/16	8 11/16	9 9/16
2	2 1/8	N/A	2 7/16	1 3/8	9 3/16	10 1/16	10 11/16	11 9/16
2 1/2	2 1/8	N/A	2 15/16	1 5/8	11 3/16	12 1/16	12 3/16	13 1/16
3	2 3/8	N/A	3 7/16	1 7/8	13 3/16	14 1/16	14 3/16	15 1/16

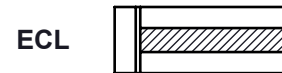
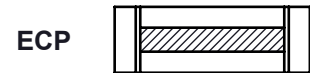
Dimensions in inches

Job: _____	Tag: _____	<b>AIR-TRAC™</b> <b>Two Slot Diffuser Option</b> <b>Margin S</b>
Location: _____	Submitted By: _____	
Architect: _____		
Engineer: _____		
Contractor: _____	SD - 2227	Rev: B (07/15)

### End Fabrication Styles



ECP	E	$D + 3/8$
	O	$D + 2 1/8$
ECL	E	$D + 3/16$
	O	$D + 1 1/16$
INT	E	D
	O	D
FECP	E	$D + 1/8$
	O	$D + 1/8$
FECL	E	$D + 1/16$



For available mounting options for each margin style, reference SD-2097.

**For lay-in applications with a 48" panel size, order margin L, FECP, length 47 5/8" (47.625").**

Units will ship WITHOUT mounting clips unless specified otherwise.

*Dimensions in inches*

Job: _____	Tag: _____	<b>AIR-TRAC™</b> <b>Two Slot Diffuser Option</b> <b>End Fabrication Styles</b>
Location: _____	Submitted By: _____	
Architect: _____		
Engineer: _____		
Contractor: _____	SD - 2096	Rev: H (07/15)