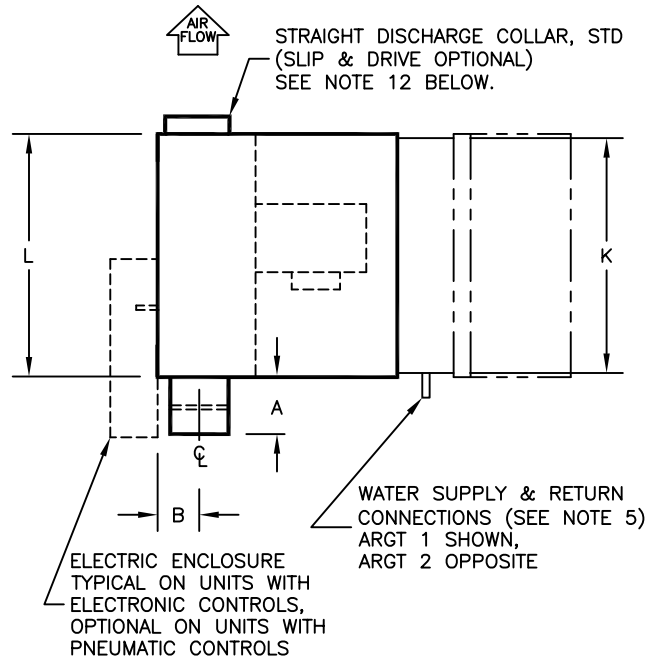


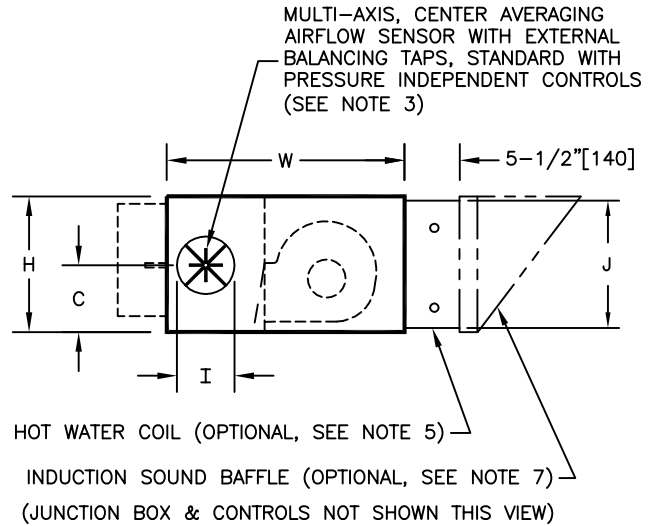
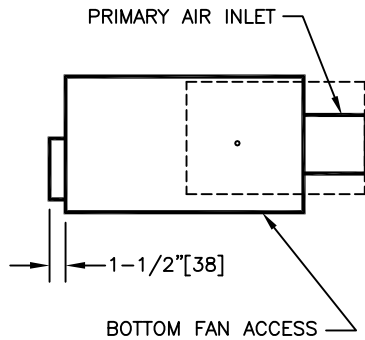
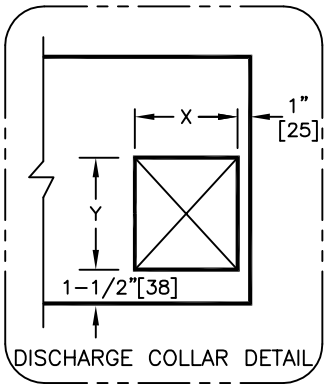
DIMENSIONAL DATA

UNIT* SIZE	A	B	C	I	X	Y	W	H	J	K	L
0404	10 1/2" [267]	5" [127]	7" [178]	3 7/8" [98]	8" [203]	7" [178]					
0504	10 1/2" [267]	5" [127]	7" [178]	4 7/8" [124]	8" [203]	7" [178]					
0604 0606	6 1/2" [165]	5" [127]	7" [178]	5 7/8" [149]	8" [203]	7" [178]	29" [737]	14" [356]	12 5/8" [320]	21 1/2" [546]	23 1/2" [597]
0804 0806 0811	6 1/2" [165]	6" [152]	7" [178]	7 7/8" [200]	11" [279]	7" [178]					
1006 1011 1018	6 1/2" [165]	7" [178]	8 1/2" [216]	9 7/8" [251]	14" [356]	10" [254]	37" [940]	17" [432]	15 1/8" [384]		
1211 1218 1221	6 1/2" [165]	8" [203]	8 1/2" [216]	11 7/8" [302]	16" [406]	10" [254]					
1411 1418 1421	6 1/2" [165]	9" [229]	9 1/2" [241]	13 7/8" [352]	22" [559]	12" [305]	45" [1143]			27 1/2" [698]	29 1/2" [749]
1424	6 1/2" [165]	9" [229]	9 1/2" [241]	13 7/8" [352]	22" [559]	12" [305]	49" [1245]	19" [483]	17 5/8" [448]		
1621	6 1/2" [165]	10" [254]	9 1/2" [241]	15 7/8" [403]	24" [610]	12" [305]	45" [1143]				
1624	6 1/2" [165]	10" [254]	9 1/2" [241]	15 7/8" [403]	24" [610]	12" [305]	49" [1245]				



* NOTE:

- FIRST 2 DIGITS DENOTE CASING & PRIMARY AIR VALVE SIZE.
- SECOND 2 DIGITS DENOTE FAN SIZE.



NOTES:

- All dimensions are inches [millimeters]. All dimensions are ±1/4" [6mm]. Metric values are soft conversion.
- MATERIAL: Galvanized steel. Casing-20 gauge; Air Valve Casing - 22 gauge.
- AIRFLOW SENSOR: Sizes 4 & 5 utilize single-axis, linear averaging multi-point type sensor.
- INSULATION: 3/4" [19] thick, fiberglass complying with NFPA 90-A and UL 181.
- HOT WATER COIL: Copper tubing with aluminum fins, 10 fins per inch. Supply and Return water connection: 1 Row Coil: 1/2" [13] O.D., 2 Row Coil: 5/8" [16] O.D., 3 & 4 Row Coil: 7/8" [22] O.D.
- FAN ACCESS: Provided on bottom of unit.
- For Induction Inlet Option and filter information see drawings 07-80020 and 07-80021.
- INSTALLATION: A) If internal insulation is utilized in the downstream ductwork, the insulation must be secured in such a manner that no raw insulation edges are exposed to the airstream. B) Inlet & outlet collars should be externally insulated by others (in the field) if required. C) Terminal unit requires minimum 0.1" w.g. downstream pressure at design cooling capacity.
- FAN MOTOR SPEED ADJUSTMENT: 3-position quick select terminal strip w/fan SCR (factory selected to low tap).
- Provide sufficient clearance to permit access to controls and comply with applicable codes and ordinances.
- Arrangement 1 shown, for additional arrangements, see dwg. "07-80008".
- DISCHARGE OUTLET: Optional Slip and Drive Outlet adds 1" to X and Y dimensions in table above. 1" outlet to side dimension becomes 1/2".

OPTIONS: INDUCTION PORT SOUND Baffle SLIP & DRIVE OUTLET FILTER RACK

TITLE: PARALLEL FLOW FAN POWERED TERMINAL UNIT W/WATER COIL MODEL VFR & VFR-WC SERIES C, ARG1 & 2

ENVIRO-TEC®

DRN BY: CCC	DATE: 7/9/13	SCALE: 1=24	DRAWING NO.
CKD BY: X.X.	DATE: XX/XX/XX	REV: 07	