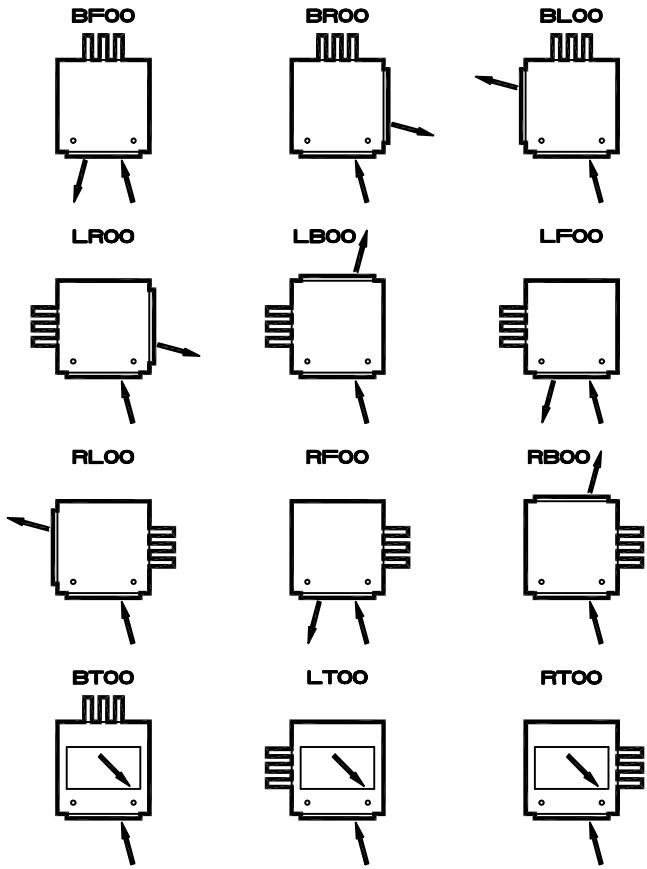
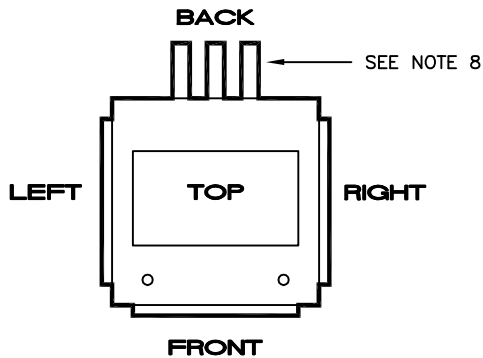
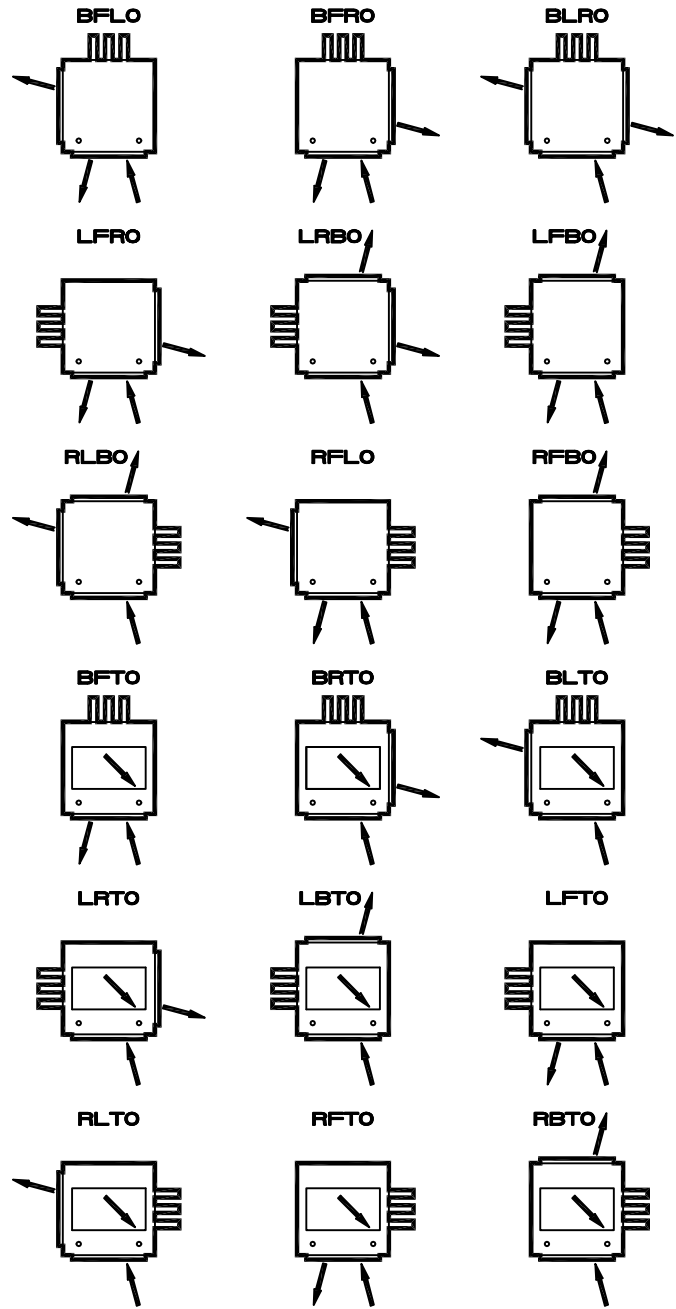


SINGLE SUPPLY

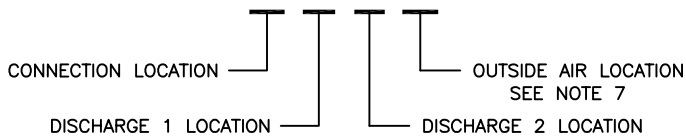


DOUBLE SUPPLY



F = FRONT
T = TOP
B = BACK
L = LEFT
R = RIGHT
O = NONE

B F O R



UNIT SIDE DESIGNATIONS

(UNIT ARRANGEMENTS TYPICAL FOR ALL MODELS)

NOTES:

1. ALL DRAWINGS SUBJECT TO CHANGE WITHOUT PRIOR NOTICE.
2. RETURN AIR AND ACCESS ARE ALWAYS ON FRONT OF UNIT.
3. SIGHT & SOUND BAFFLE PROVIDED AS REQUIRED.
4. SIGHT & SOUND BAFFLE NOT AVAILABLE ON UNITS WITH TOP SUPPLY OUTLET.
5. OPPOSED BLADE DAMPER IS OPTIONAL ON ONE SUPPLY GRILLE FOR UNITS WITH DOUBLE SUPPLY OUTLETS.
6. THIS DRAWING APPLIES TO SINGLE UNITS WITHOUT RISERS AND SLAVE UNITS.
7. FOURTH CHARACTER INDICATES OUTSIDE AIR LOCATION. SEE DRAWING VH-018 FOR DETAILS.
8. PARTIAL PIPING SHOWN TO INDICATE CONNECTION LOCATION. VHC AND VHS UNITS HAVE PIPING NESTED INTERNALLY FOR SHIPPING. VHB UNITS ARE MATED TO VHA UNITS.

TITLE: MODEL "VHC" W/O RISERS & "VHS/VHB"
VERTICAL HIGH RISE FAN COIL UNITS
UNIT ARRANGEMENT DESIGNATIONS



DRN BY: HANK	DATE: 07/06/01	SCALE: 1=32	DRAWING NO.
CKD BY: DAVE L.	DATE: 5/17/02	REV: 02	VH-011

THIS DRAWING CONTAINS PROPRIETARY DATA.
UNAUTHORIZED DISCLOSURE, REPRODUCTION, OR USE
IS STRICTLY PROHIBITED WITHOUT WRITTEN PERMISSION

DO NOT SCALE DRAWING
DIMENSIONS AND DATA ARE SUBJECT TO CHANGE WITHOUT NOTICE.
CONTACT FACTORY FOR CERTIFIED DRAWINGS.