

NOTES:

1. All dimensions are inches [millimeters]
All dimensions $\pm 1/2$ [13mm].
Metric values are soft conversion.
2. All drawings subject to change without notice.
3. Connection Size:
Chilled Water: 5/8 ODM (1/2" NOM.)
Hot Water: 5/8 ODM (1/2" NOM.)
4. See "Coil Connection Location" drawing for drain pan specifications.
5. Consult WebSelect selection summary for valve-package components and specifications.



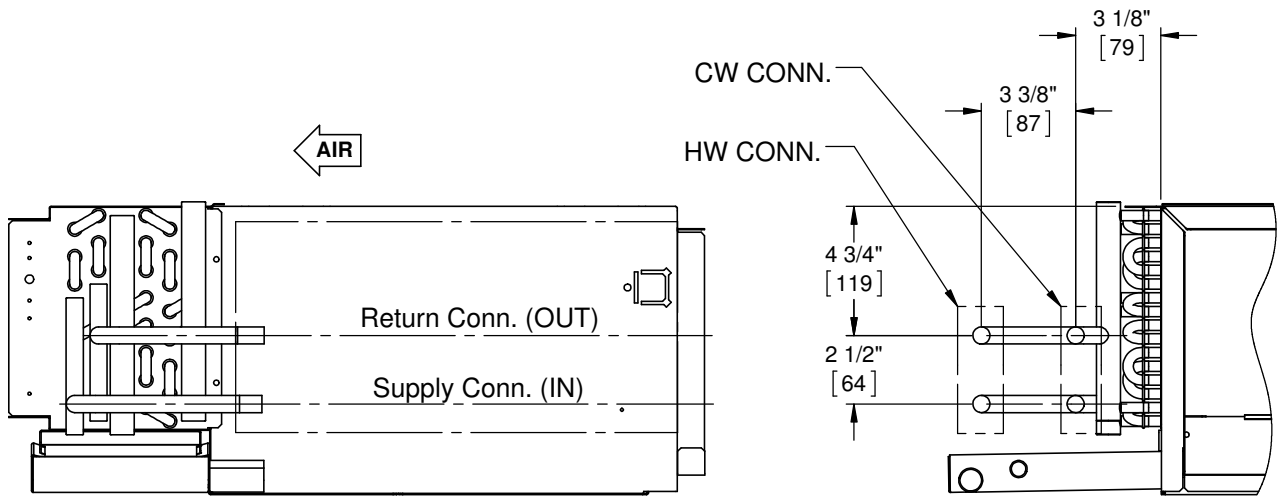
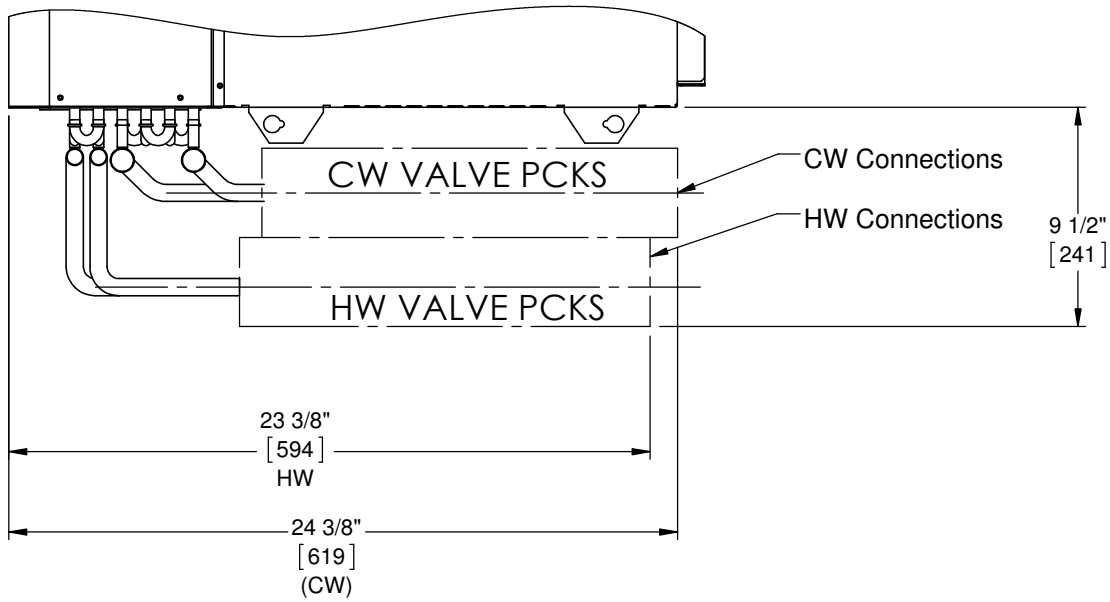
THIS DRAWING CONTAINS PROPRIETARY DATA. UNAUTHORIZED DISCLOSURE, REPRODUCTION, OR USE IS STRICTLY PROHIBITED WITHOUT WRITTEN PERMISSION.

SUBMITTAL DRAWING
ALL DRAWINGS ARE SUBJECT TO CHANGE WITHOUT PRIOR NOTICE

DO NOT SCALE DRAWING
DIMENSIONS ARE IN INCH [MM] FORMAT
+/- 1/8 [3] UNLESS OTHERWISE NOTED

TITLE: MODEL HLP/E FAN COIL UNIT SERIES D VALVE PACKAGE CONNECTIONS

DATE	SHEET	DRAWING NO	REV
04/18/16	PAGE 1 OF 3	47-80125	00



4 PIPE RE-HEAT
(LEFT HAND)

NOTES:

1. All dimensions are inches [millimeters]
All dimensions $\pm 1/2$ [13mm].
Metric values are soft conversion.
2. All drawings subject to change without notice.
3. Connection Size:
Chilled Water: 5/8 ODM (1/2" NOM.)
Hot Water: 5/8 ODM (1/2" NOM.)
4. See "Coil Connection Location" drawing for drain pan specifications.
5. Consult WebSelect selection summary for valve-package components and specifications.



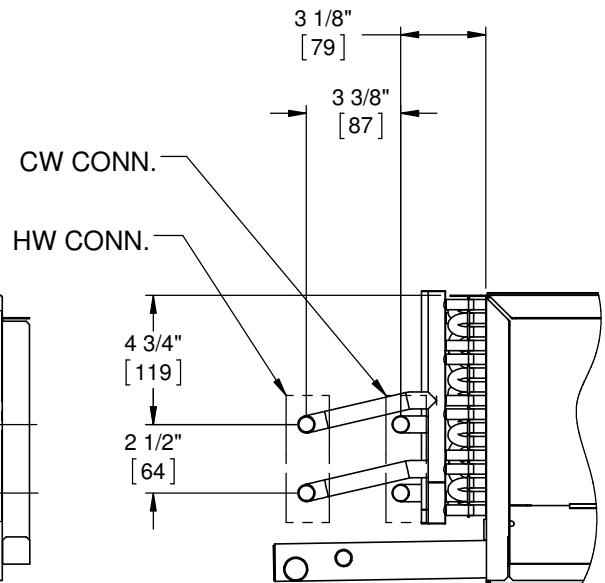
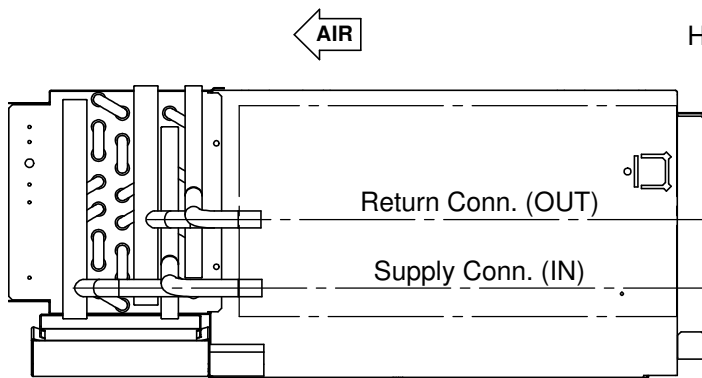
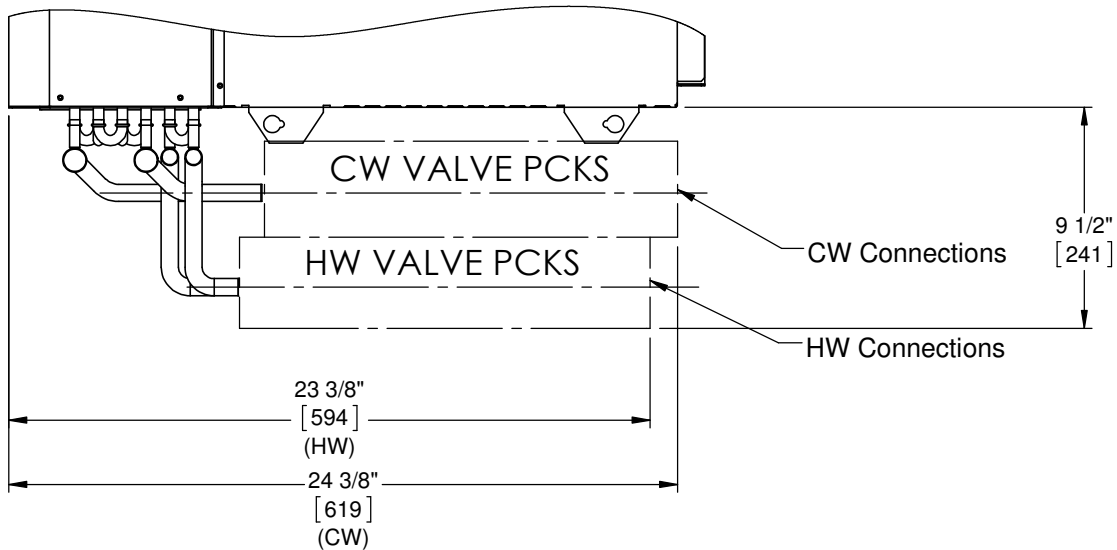
THIS DRAWING CONTAINS PROPRIETARY DATA. UNAUTHORIZED DISCLOSURE, REPRODUCTION, OR USE IS STRICTLY PROHIBITED WITHOUT WRITTEN PERMISSION.

SUBMITTAL DRAWING
ALL DRAWINGS ARE SUBJECT TO CHANGE WITHOUT PRIOR NOTICE

DO NOT SCALE DRAWING
DIMENSIONS ARE IN INCH (MM) FORMAT
+/- 1/8 (3) UNLESS OTHERWISE NOTED

TITLE: MODEL HLP/E FAN COIL UNIT SERIES D VALVE PACKAGE CONNECTIONS

DATE	SHEET	DRAWING NO	REV
04/18/16	PAGE 2 OF 3	47-80125	00



4 PIPE PRE-HEAT
(LEFT HAND)

NOTES:

- All dimensions are inches [millimeters]
All dimensions $\pm 1/2$ [13mm].
Metric values are soft conversion.
- All drawings subject to change without notice.
- Connection Size:
Chilled Water: 5/8 ODM (1/2" NOM.)
Hot Water: 5/8 ODM (1/2" NOM.)
- See "Coil Connection Location" drawing for drain pan specifications.
- Consult WebSect selection summary for valve-package components and specifications.



THIS DRAWING CONTAINS PROPRIETARY DATA. UNAUTHORIZED DISCLOSURE, REPRODUCTION, OR USE IS STRICTLY PROHIBITED WITHOUT WRITTEN PERMISSION.

SUBMITTAL DRAWING
ALL DRAWINGS ARE SUBJECT TO CHANGE WITHOUT PRIOR NOTICE

DO NOT SCALE DRAWING
DIMENSIONS ARE IN INCH [MM] FORMAT
+/- 1/8 [3] UNLESS OTHERWISE NOTED

TITLE: **MODEL HLP/E FAN COIL UNIT SERIES D VALVE PACKAGE CONNECTIONS**

DATE	SHEET	DRAWING NO	REV
04/18/16	PAGE 3 OF 3	47-80125	00

UNCONTROLLED WHEN PRINTED