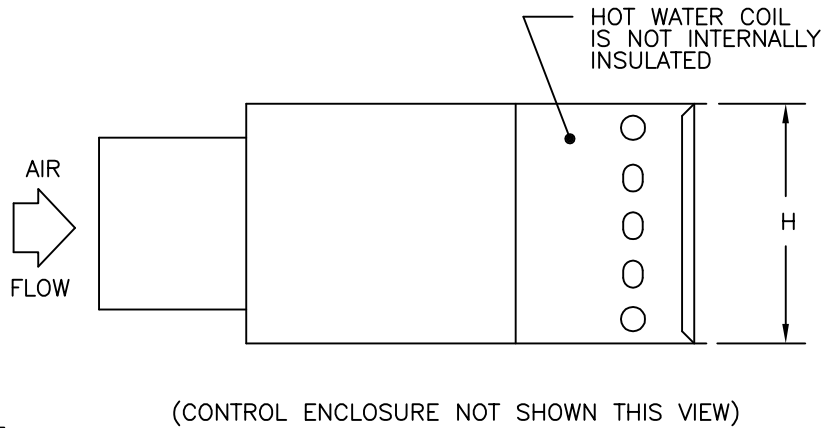
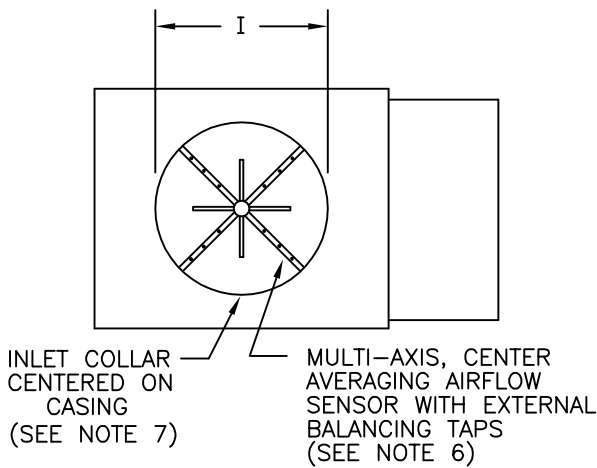
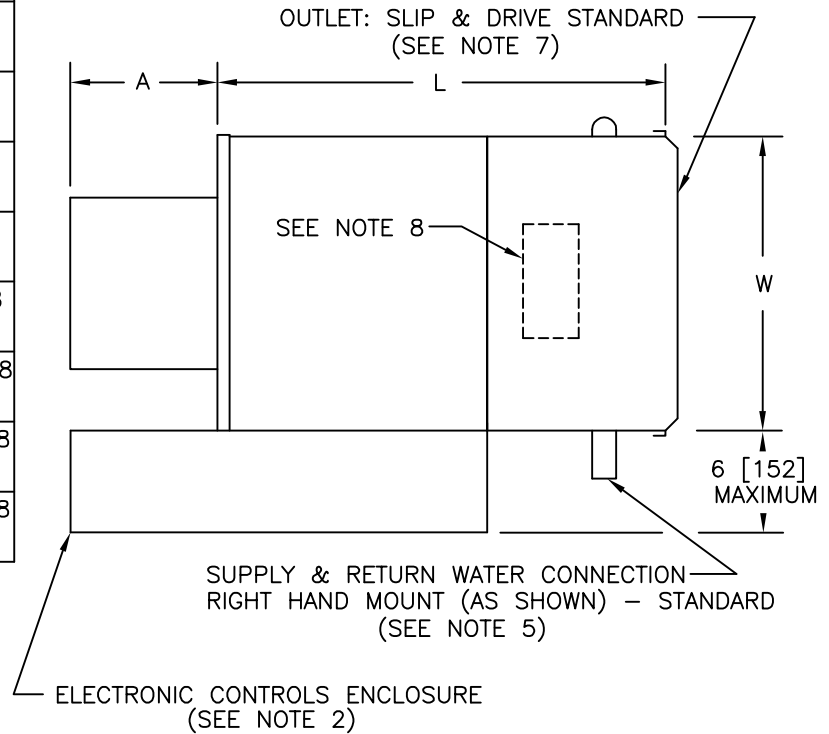


UNIT SIZE	W	H	L	A	I
4	10 [254]	10 [254]	20-1/2 [521]	10-1/2 [267]	3-7/8 [98]
5	10 [254]	10 [254]	20-1/2 [521]	10-1/2 [267]	4-7/8 [124]
6	10 [254]	10 [254]	20-1/2 [521]	6-1/2 [165]	5-7/8 [149]
8	12 [305]	10 [254]	20-1/2 [521]	6-1/2 [165]	7-7/8 [200]
10	14 [356]	12-1/2 [318]	22-1/2 [572]	6-1/2 [165]	9-7/8 [251]
12	16 [406]	15 [381]	22-1/2 [572]	6-1/2 [165]	11-7/8 [301]
14	20 [508]	17-1/2 [445]	26-1/2 [673]	6-1/2 [165]	13-7/8 [352]
16	24 [610]	17-1/2 [445]	26-1/2 [673]	6-1/2 [165]	15-7/8 [403]



CONSTRUCTION NOTES:

- All dimensions are in inches [millimeters]. All dimensions are +/- 1/4" [6]. Metric dimensions are soft conversions.
- Provide sufficient clearance to permit access to controls and comply with applicable codes and ordinances.
- MATERIAL:** Galvanized steel; External Casing -22 gauge; Air Valve Casing -22 gauge;
- INSULATION:** 1/2" [13] thick fiberglass complying with NFPA 90-A and UL 181.
- HOT WATER COIL:** Copper tubing with aluminum fins, 10 fins per inch. Supply and Return water connections: 1 Row coil: 1/2" [13] O.D., 2 Row coil: 5/8" [16] O.D., 3 & 4 Row coil: 7/8" [22] O.D. Coil to be externally insulated by others if required.
- AIRFLOW SENSOR:** Sizes 4 & 5 utilize single-axis linear averaging type.
- INSTALLATION:** A) If internal insulation is utilized in the downstream ductwork, the insulation must be secured in such a manner that no raw insulation edges are exposed to the airstream. B) Inlet collar & hot water coil should be externally insulated by others (in the field) if required.
- ACCESS PANEL:** Hot water coil, bottom access, 4" X 8" [102 x 204]. Gasketed and secured with sheet metal screws.

TITLE:

MODEL SDR-WC-AD
ELECTRONIC CONTROLS
SIZES 4 THRU 16



DRN BY: AWW	DATE: 04/02/98	SCALE: 1=1	DRAWING NO.
CKD BY: Chris H	DATE: 5/23/06	REV: 04	

17051

THIS DRAWING CONTAINS PROPRIETARY DATA. UNAUTHORIZED DISCLOSURE, REPRODUCTION, OR USE IS STRICTLY PROHIBITED WITHOUT WRITTEN PERMISSION

DO NOT SCALE DRAWING
DIMENSIONS AND DATA ARE SUBJECT TO CHANGE WITHOUT NOTICE.
CONTACT FACTORY FOR CERTIFIED DRAWINGS.