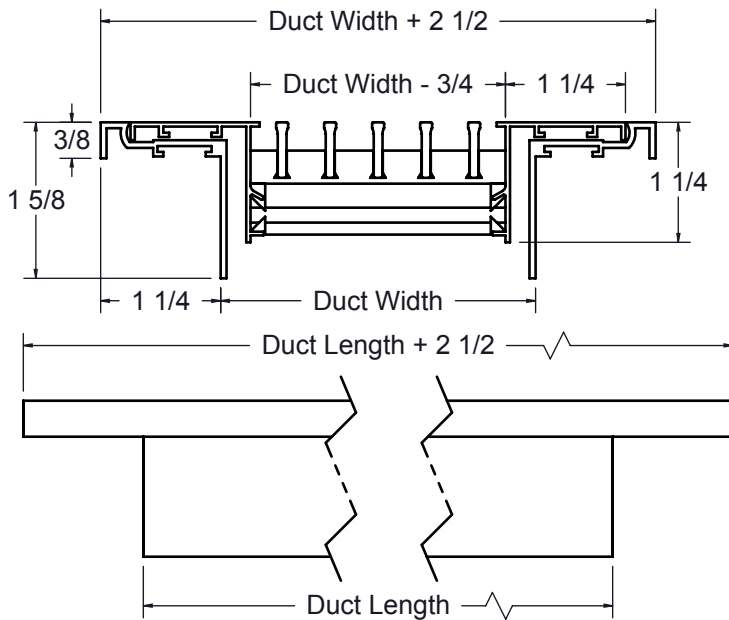
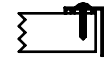


- Eight available core styles
- Extruded aluminum construction
- Size limitations are 6" x 2" minimum and 72" x 24" maximum for single piece
- Sizes available in 1/2" increments
- Core reinforcement option increases number of support bars to provide additional structural support
- Not recommended for sidewall or ceiling without concealed mounting brackets
- Standard finishes available are white (WH) and mill (ML)



### Available Fastenings

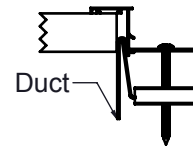
Type 6SH - Screw Holes



### Accessories

CMB - Concealed Mounting Brackets

(Not Available on Core A0/A1; max width available is 12")



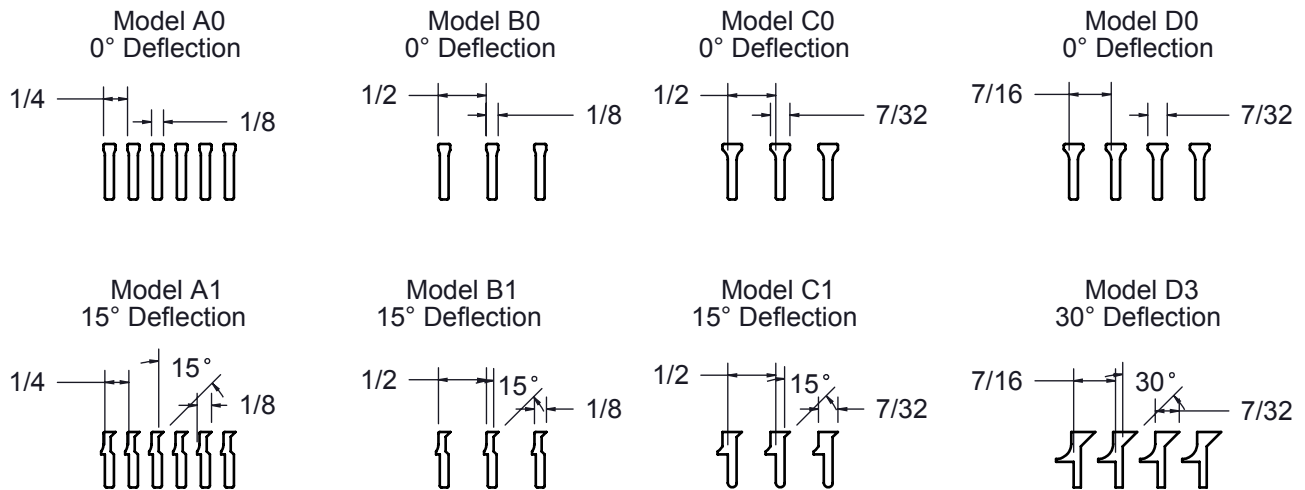
### Options

Standard  
Core Reinforced

### Finishes

WH - White	FB - Flat Black
ML - Mill	MP - Match Paint
AP - Aluminum Paint	CA - Clear Anodized
OW - Off-White	

### Available Cores



Dimensions in inches

Job: _____	Tag: _____	<b>4000 Linear Diffuser</b> <b>Mounting Style 600/6SH,</b> <b>1 1/4" Frame</b> <b>(Requires 125 Margin)</b> <b>Ceiling, Sidewall &amp; Sill App.</b>
Location: _____	Submitted By: _____	
Architect: _____	SD - 2079      Rev: D (02/11)	
Engineer: _____		
Contractor: _____		