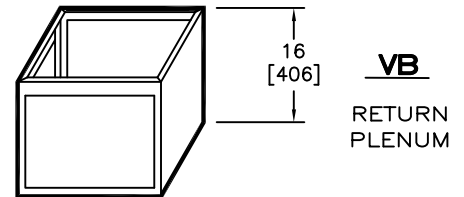
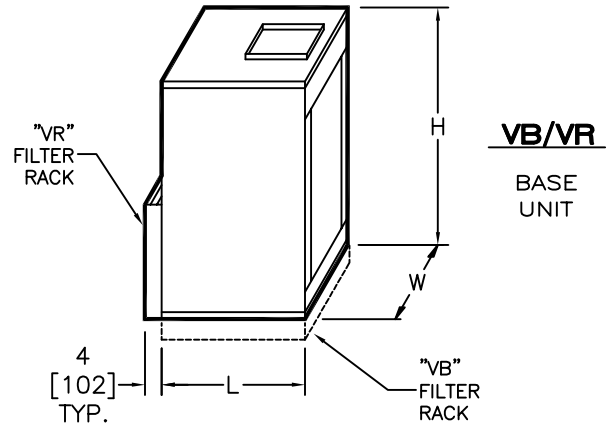
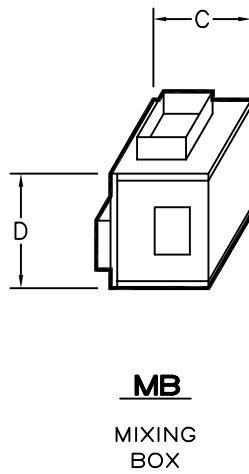
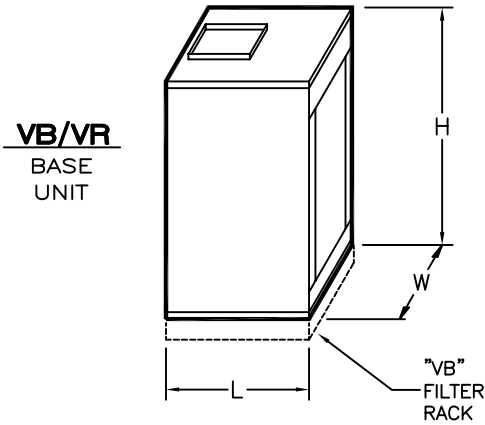
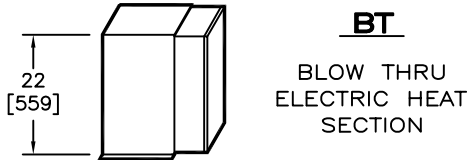
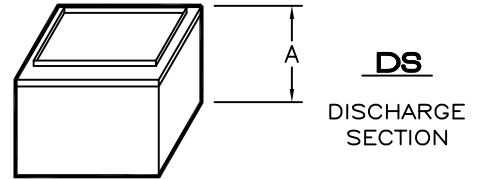
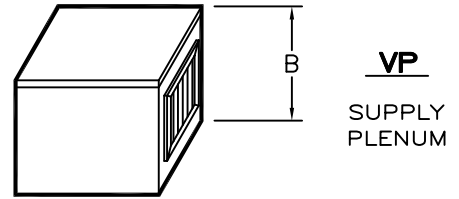


NOTES:

1. All dimensions are Inches [millimeters].
All dimensions are $\pm 1/4"$ [6mm].
Metric values are soft conversion.
2. Optional base rail not shown.
3. This drawing is for identification of unit configuration only. See individual unit and section drawings for submittal details.
4. Blow thru electric may not be combined with supply plenum or discharge section options.
5. Mixing box available for "VR" unit only (Model "VMR"), and attaches to filter frame and must include base rail option.
6. Direct Drive VBD & VRD option limited to sizes 08 through 20



DIMENSIONS - In [mm] See note 6

UNIT SIZE	H	W	L	A	B	C	D
08	46 [1168]	26 [660]	19 [483]	12 [305]	12 [305]	12 [305]	19 [483]
12	46 [1168]	26 [660]	21 [533]	12 [305]	12 [305]	15 [381]	21 [533]
16	54 [1372]	29 [737]	25 [635]	14 [356]	14 [356]	15 [381]	25 [635]
20	54 [1372]	29 [737]	28 [711]	14 [356]	16 [406]	18 [457]	28 [711]
25	60 [1524]	39 [991]	28 [711]	18 [457]	16 [406]	18 [457]	28 [711]
30	60 [1524]	39 [991]	28 [711]	18 [457]	16 [406]	18 [457]	28 [711]

TITLE: MODEL VB/VR SERIES "C" & VBD/VRD SERIES "A"
BELT & DIRECT DRIVE BLOWER COIL UNIT
OPTIONS CONFIGURATIONS



DRN BY: JCR	DATE: 4/6/06	SCALE: NA	DRAWING NO.
CKD BY: Hank	DATE: 4/17/06	REV: 00	

52-80014

THIS DRAWING CONTAINS PROPRIETARY DATA.
UNAUTHORIZED DISCLOSURE, REPRODUCTION, OR USE
IS STRICTLY PROHIBITED WITHOUT WRITTEN PERMISSION

DO NOT SCALE DRAWING
DIMENSIONS AND DATA ARE SUBJECT TO CHANGE WITHOUT NOTICE.
CONTACT FACTORY FOR CERTIFIED DRAWINGS.