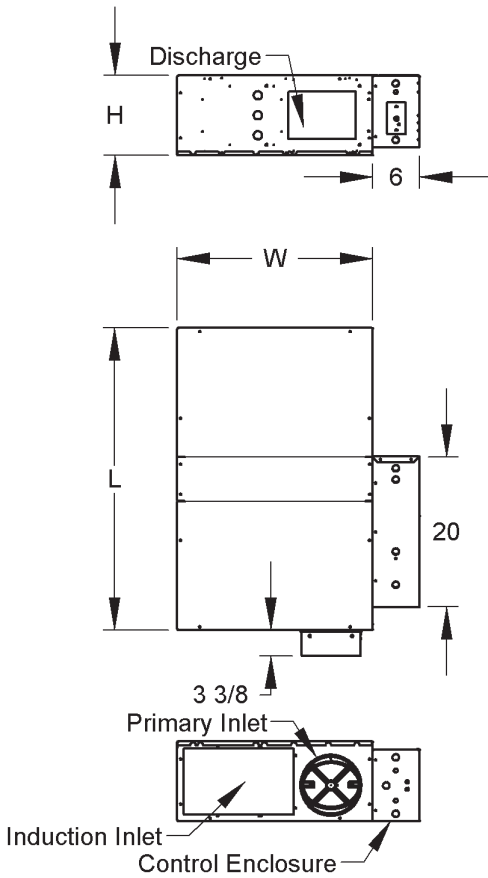


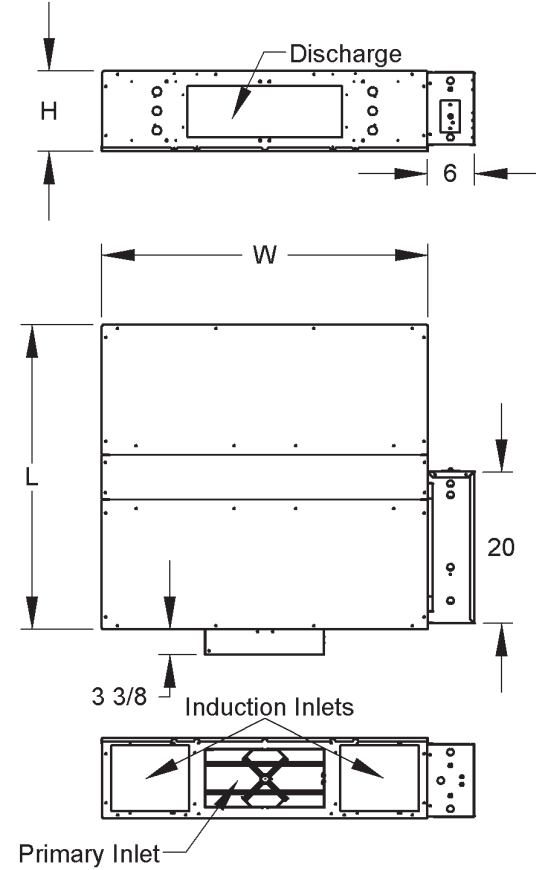
PRODUCT DIMENSIONS

LPC - No Heat

Size 2 & 3



Size 4



Size	Primary Inlet	Induction Inlet	Discharge	L	W	H
208	8	14 5/8 x 8 3/4	9 x 6 1/4	40 1/4	26	10 1/2
308	8	14 5/8 x 8 3/4	9 x 6 1/4	40 1/4	26	10 1/2
424	16 x 8	10 3/8 x 8 3/4 (2)	20 1/2 x 6 3/4	40 1/4	43	10 1/2

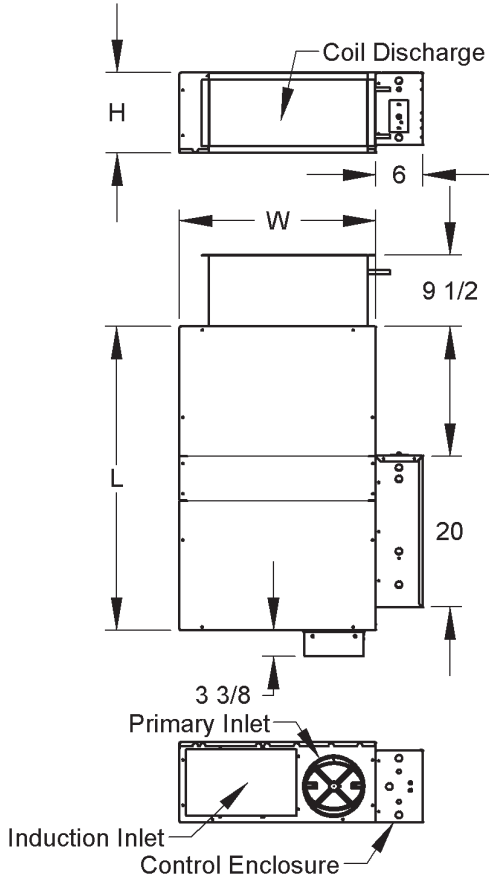


DIMENSIONS IN INCHES

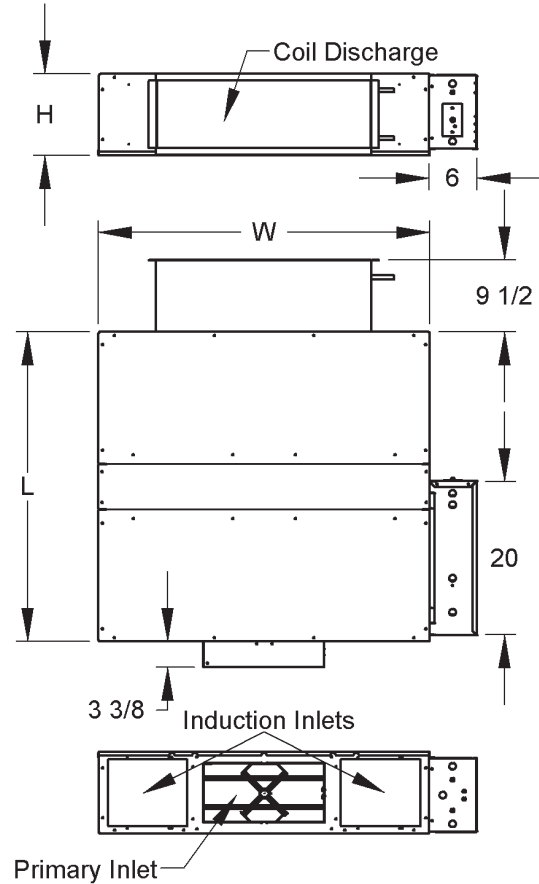
PRODUCT DIMENSIONS

LPC - HW Heat

Size 2 & 3



Size 4

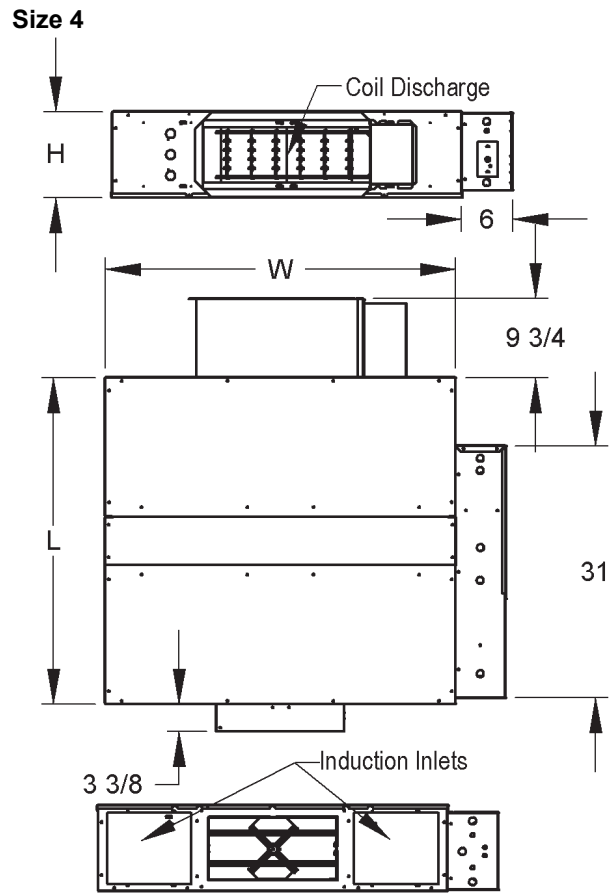
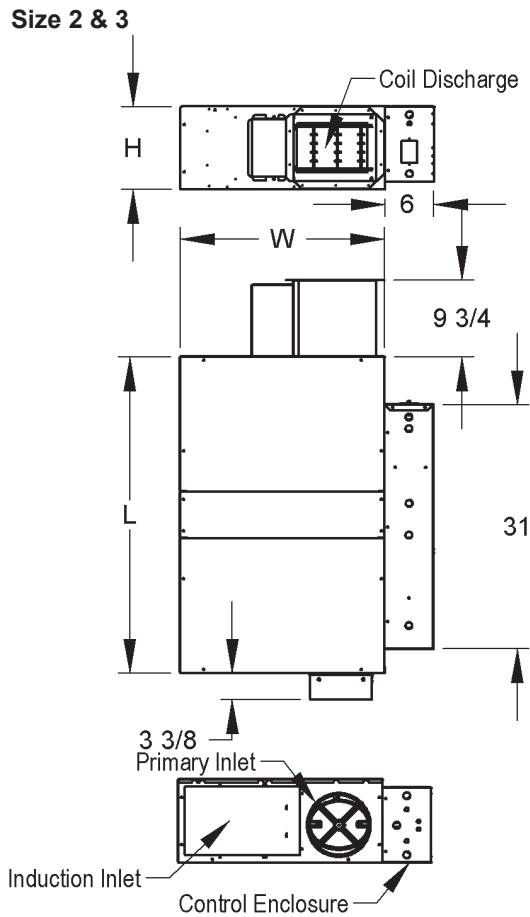


Size	Primary Inlet	Induction Inlet	Coil Discharge	L	W	H
208	8	14 5/8 x 8 3/4	21 x 8 3/4	40 1/4	26	10 1/2
308	8	14 5/8 x 8 3/4	21 x 8 3/4	40 1/4	26	10 1/2
424	16 x 8	10 3/8 x 8 3/4 (2)	28 x 8 3/4	40 1/4	43	10 1/2



PRODUCT DIMENSIONS

LPC - Electric Heat



Size	Primary Inlet	Induction Inlet	Coil Discharge	L	W	H
208	8	14 5/8 x 8 3/4	10 1/2 x 8 3/4	40 1/4	26	10 1/2
308	8	14 5/8 x 8 3/4	10 1/2 x 8 3/4	40 1/4	26	10 1/2
424	16 x 8	10 3/8 x 8 3/4 (2)	20 3/8 x 8 3/4	40 1/4	43	10 1/2

