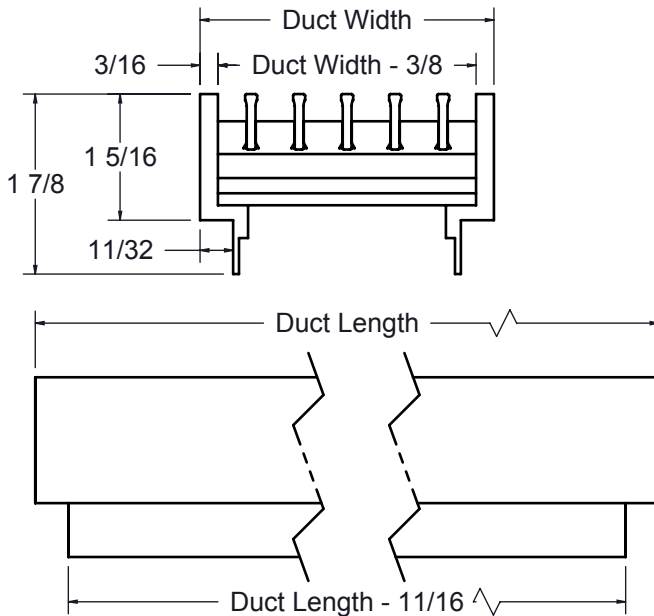


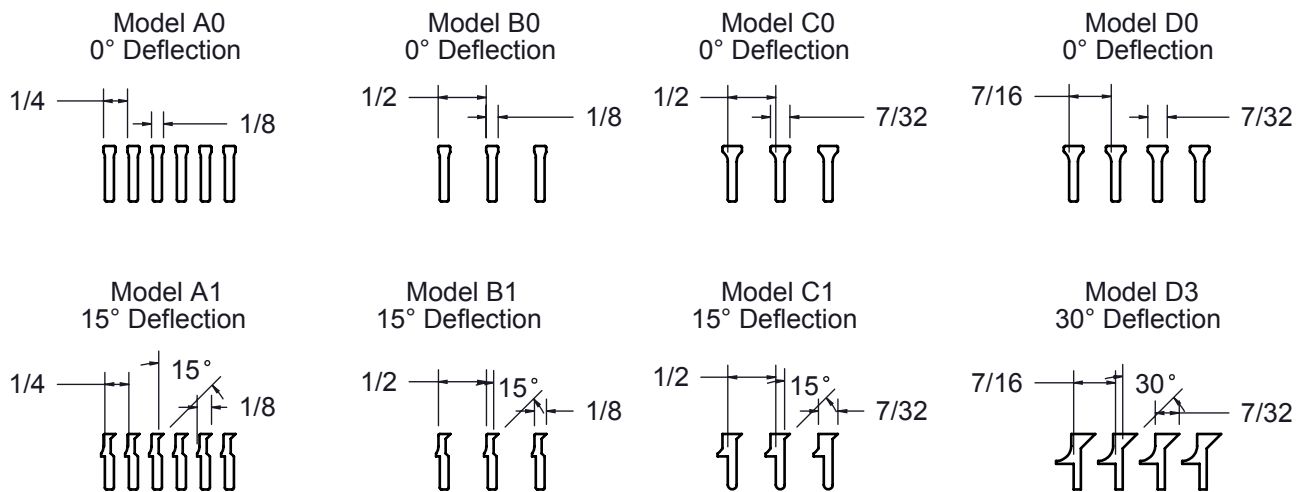
- Eight available core styles
- Extruded aluminum construction
- Core reinforcement is standard
- Size limitations are 6" x 2" minimum and 72" x 12" maximum for single piece
- Maximum 12" width for floor applications
- Sizes available in 1/2" increments
- Standard finishes available are white (WH) and mill (ML)
- Removable core
- See submittal SD-2084 for max loading



### Finishes

- WH - White
- ML - Mill
- AP - Aluminum Paint
- OW - Off-White
- FB - Flat Black
- MP - Match Paint
- CA - Clear Anodized

### Available Cores



Dimensions in inches

Job: _____	Tag: _____	<b>4000 Linear Diffuser</b> <b>Mounting Style 800,</b> <b>Heavy Duty Frame</b> <b>without Flange</b> <b>Floor Applications</b>
Location: _____	Submitted By: _____	
Architect: _____		
Engineer: _____		
Contractor: _____	SD - 2081	Rev: D (01/11)